

INSTALLATION INSTRUCTIONS CARE AND MAINTENANCE

American
Standard

Princeton® Bath w/Integral Overflow Models: 2394.202.ICH, 2395.202.ICH, 2396.202.ICH, 2397.202.ICH

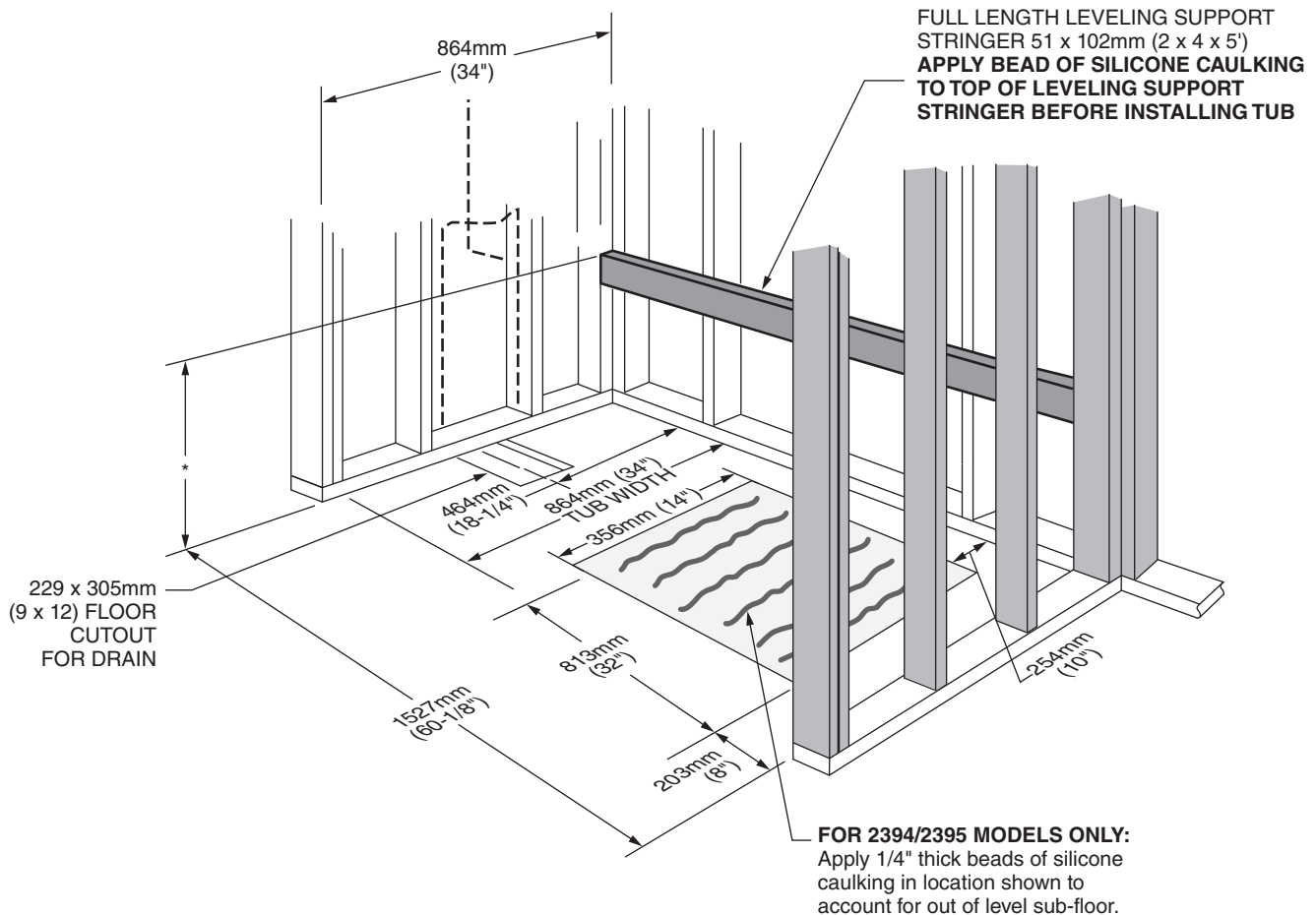
Thank you for selecting American Standard - the benchmark of fine quality for over 100 years. To ensure this product is installed properly, please read these instructions carefully before you begin. (Certain installations may require professional help.) Also be sure your installation conforms to local codes.

Observe Local Plumbing and Building Codes

1 FRAMING INSTRUCTIONS

Note recess is 1527 x 864mm (60-1/8 x 34"). Cut a 229 x 305mm (9 x 12") hole in sub floor for drain, centered 362mm (14-1/4") as shown for below floor rough. Locate studs as required, then ensure rough opening dimensions are proper and supports are plumb and square.

* Install stringer as shown (346mm [13-5/8"] for through the floor drain or 435mm [17-1/8"] for above the floor drain.)



SAVE FOR FUTURE USE

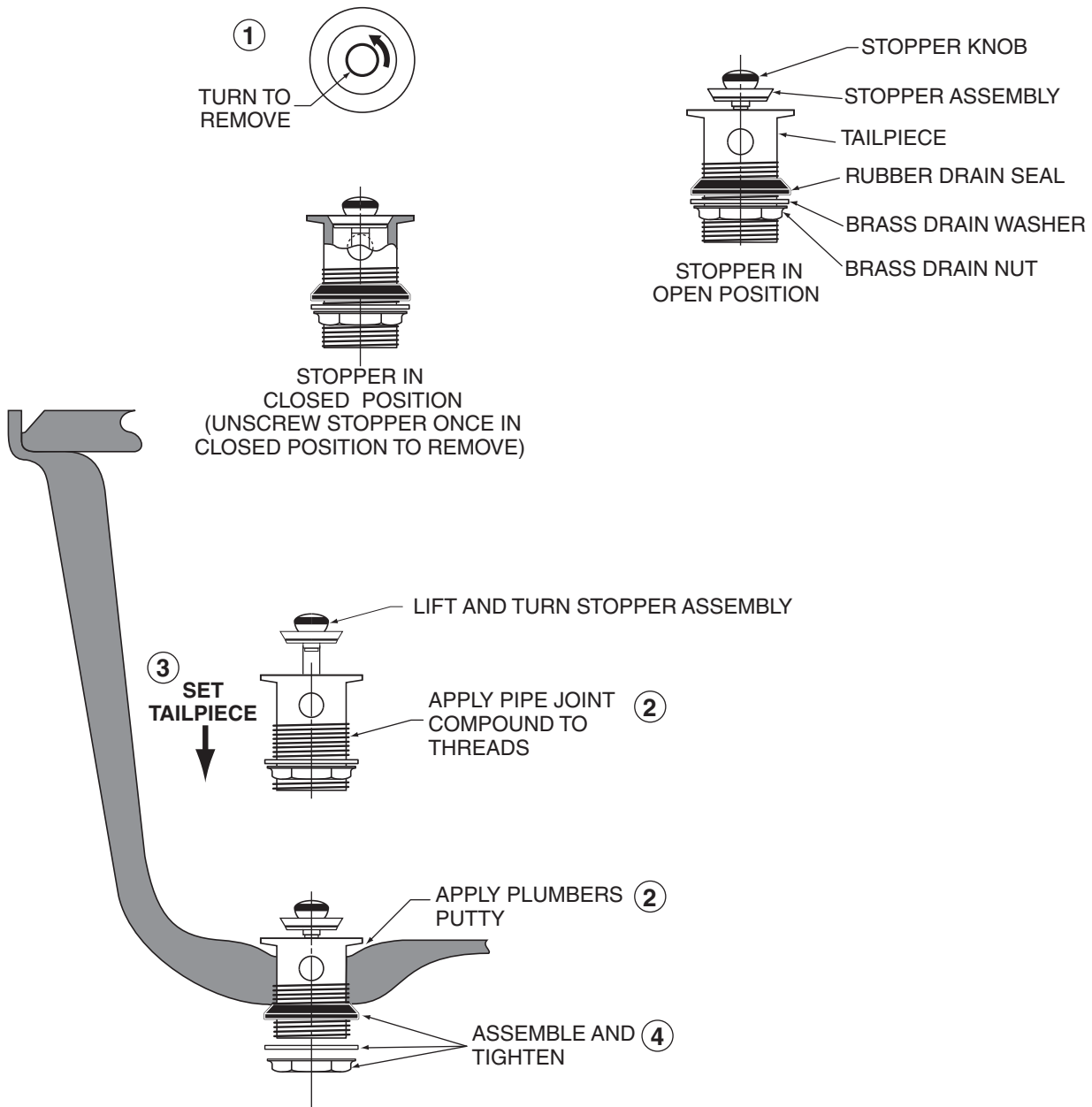
IMPORTANT

The Drain Assembly is enclosed with tub models listed above. Locate and retain for tub installation **before** discarding tub carton.

2 DRAIN INSTALLATION

- 1 Remove Lift and Turn Stopper and Tailpiece Assembly from box and check that all parts are included. Remove Lift and Turn Stopper Assembly from Tailpiece by setting Stopper to closed position, and turning Stopper Knob counter-clockwise. (Re-install Stopper after Drain installation is completed.)
- 2 Apply plumbers putty around drain hole and pipe thread compound on threaded end of tailpiece.
- 3 Set Tailpiece in drain hole. (Lift and Turn Stopper Assembly should be removed, and reinstalled after tub installation is completed.)
- 4 From underside of tub: Place Rubber Wedge Seal on Tailpiece, small end toward tub, and center in hole, place Brass Washer on Tailpiece, and thread on Locking Nut, flange side first. Tighten Locking Nut to obtain a uniform seal between Wedge Seal and hole in tub. Tighten 1/2 to 1 turn beyond hand tight. **DO NOT OVERTIGHTEN!**

Final hook up to tub waste can be made using either internal threads in Tailpiece (1-1/2 tubing 1-1/2—28 thd.), or external threads on Tailpiece (1-1/2—11-1/2 NPSM) for appropriate tub fittings.



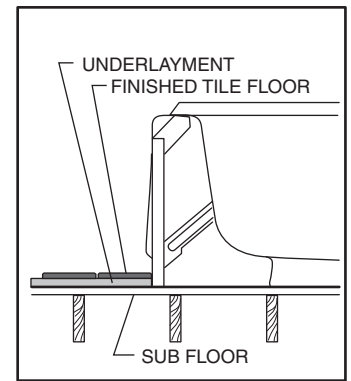
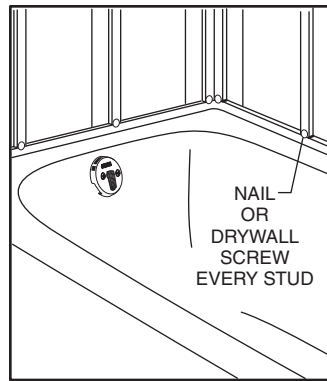
3 INSTALLATION - BEDDING MATERIAL (MORTAR, SANDMIX, ETC.) IS ACCEPTABLE SUB FLOOR MUST BE STRUCTURALLY SOUND & FREE OF MOVEMENT / FLEXING

The tub is provided with an integral base for easier installation. Position the bath on the floor and slide into place until the tub is resting on the rear stringer. The base does not need to contact the floor for proper installation. The base on the 2396 and 2397 models is raised above the floor to facilitate drain installation. Check level, front to back and side to side. Also check drain clearance hole in sub floor. To secure the tub to wood studs, use sheet rock screws with washers immediately above the flange of the tub. To secure the tub to steel studs, use drywall screws and flat washers. (See Step 4)

Caution: Take Extra Care When Driving Nails or Screws To Avoid Damaging The Tub.

The tile or similar finished floor will be butted against the bottom of the tub apron also holding the tub in place.

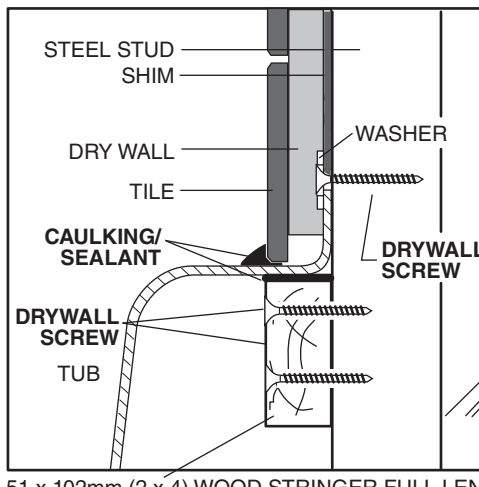
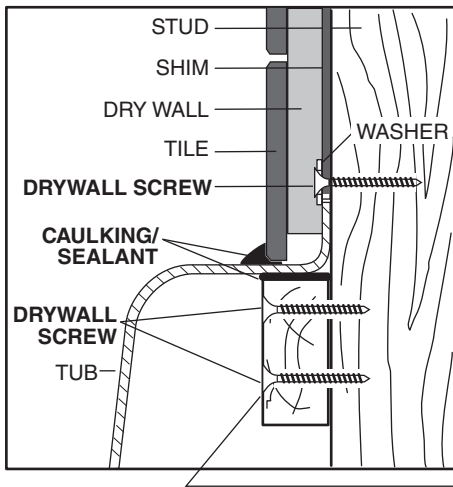
NOTE: Warranty will be voided if the drain is installed after the tub has been set in place.



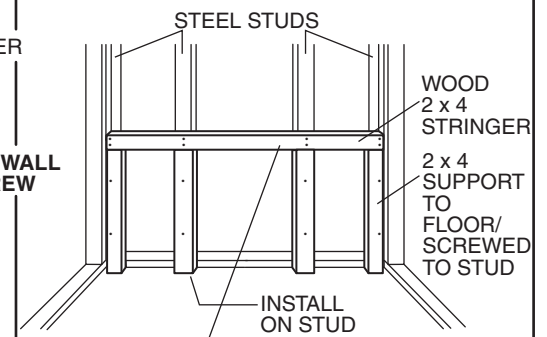
4 Below is shown typical cross sections of the tub rim showing typical wall constructions.

WOOD STUDS

STEEL STUDS

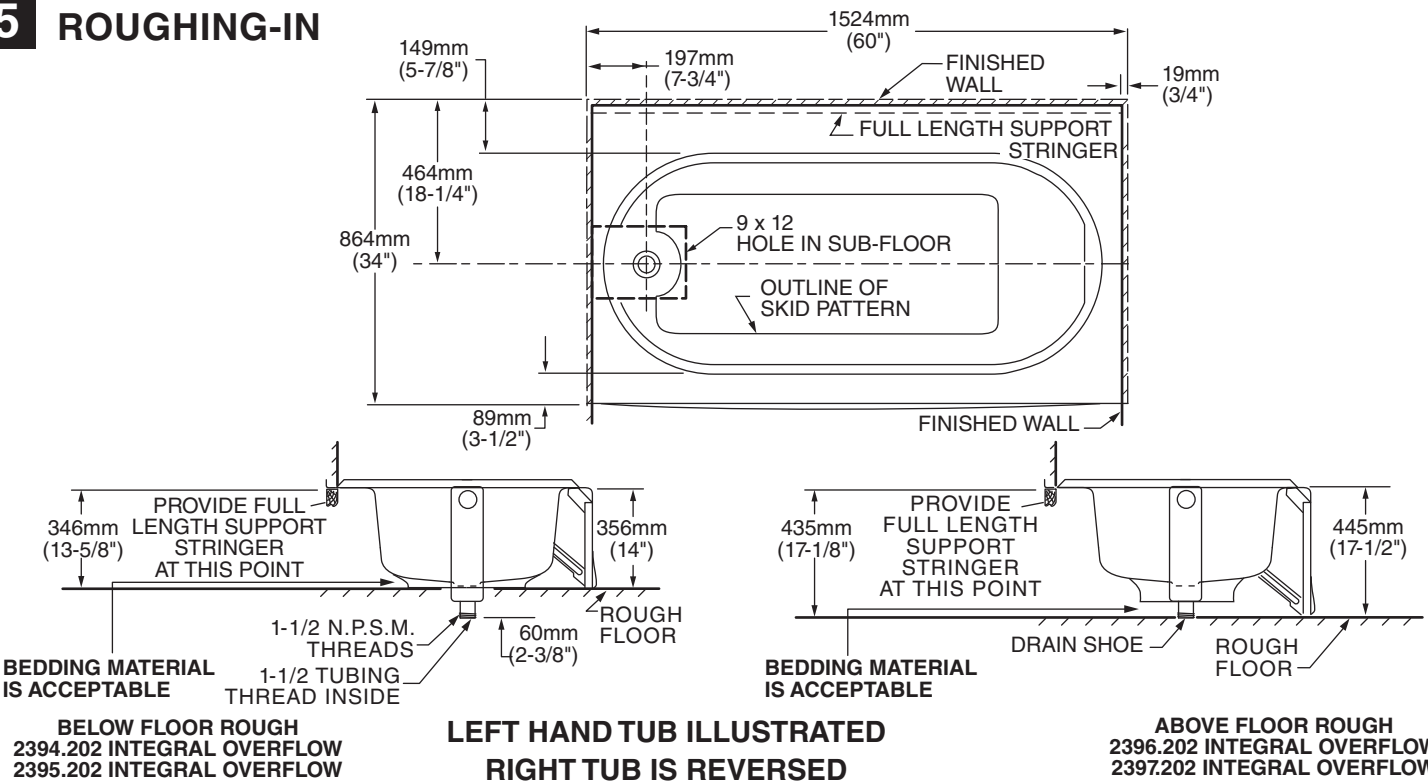


FOR STEEL STUDS SUPPORT THE WOOD 2 X 4 STRINGER TO THE FLOOR IN 3 PLACES



51 x 102mm (2 x 4) WOOD STRINGER FULL LENGTH

5 ROUGHING-IN



AS AMERICA, INC. LIMITED LIFETIME WARRANTY FOR PERSONAL RESIDENTIAL USE AMERICAST® TUBS

WARRANTY COVERAGE

AS America, Inc. ("American Standard") warrants this product against defects in materials and workmanship under normal residential use for as long as it is owned by the original consumer purchaser. The lifetime warranty does not apply to this product's textured bottom surface. American Standard warrants the textured bottom surface against defects in materials and workmanship under normal residential use for a period of ONE (1) year from the date of first purchase.

This warranty is provided for the exclusive benefit of the initial consumer purchaser or owner. This warranty is non-transferable to subsequent purchasers or owners. The sole exception to the non-transferability of this warranty is that if this product is purchased by a plumber, contractor or other service provider, this warranty extends to the first residential property owner on whose behalf the product was purchased for installation. This warranty applies only to tubs installed in the United States of America, Canada or Mexico. If a defect arises and a valid claim is received, American Standard will, at its option, either repair or replace the defective product free of charge. The decision whether to repair or replace is determined by American Standard in its sole discretion. Proof of purchase (original sales receipt) must be provided to American Standard with all warranty claims. This warranty only applies to American Standard Americast® tubs. Unless otherwise specified, all other American Standard options and accessories are covered by the AS AMERICA, INC. ONE YEAR LIMITED WARRANTY, which warrants options and accessories against defects in material and workmanship for one (1) year from the date of first purchase.

EXCLUSIONS AND LIMITATIONS

1. This warranty does not apply to commercial installations (defined as installations in apartments and other rental units, non-residential facilities, hotels, commercial businesses and/or other public accommodations). The AS AMERICA, INC. LIMITED WARRANTY FOR COMMERCIAL USE AMERICAST® TUBS applies to commercial installations.
2. This warranty only applies to products purchased after January 1, 2017.
3. This warranty only applies to products purchased through an authorized AS America, Inc. dealer or re-seller.
4. This warranty does not apply to defects or damage caused by non-genuine American Standard parts, installation error, product abuse, product misuse, improper maintenance, improper care or cleaning, improper repair or installation, and/or movement or transfer of the tub from its original installation location (whether performed by you, a plumber, a contractor or a service company). Because improper care and cleaning can cause significant damage to the tub, it is strongly recommended that you follow the Care and Cleaning Instructions (as well as the other instructions) that accompanied the tub.
5. American Standard is not responsible for labor charges and/or damage incurred during installation, repair or replacement.
6. American Standard does not warrant that this product and/or its installation complies with local code requirements. American Standard recommends that you consult with a plumbing contractor about local code requirements.

TO THE EXTENT PERMITTED BY LAW, THIS WARRANTY IS EXCLUSIVE AND IN LIEU OF ALL OTHER WARRANTIES, WHETHER ORAL OR WRITTEN, STATUTORY, EXPRESS OR IMPLIED. AMERICAN STANDARD HEREBY EXCLUDES SPECIAL, INCIDENTAL AND CONSEQUENTIAL DAMAGES FOR ANY BREACH OF ANY EXPRESS OR IMPLIED WARRANTY APPLICABLE TO THIS PRODUCT.

Some states do not allow the exclusion or limitation of incidental or consequential damages, so the above limitations and exclusions may not apply to you. This warranty gives you specific legal rights, and you may also have other rights which vary from state to state (or province, as applicable).

OBTAINING WARRANTY SERVICE

If you believe that you have a warranty claim, contact American Standard, either through an authorized AS America, Inc. dealer or re-seller, or by writing:

In the United States:
 AMERICAN STANDARD BRANDS
 One Centennial Avenue
 Piscataway, NJ 08854
 Attn: Director of Consumer Affairs
 For other information, or to obtain
 the name and address of the service
 and repair facility nearest you,
 call (800) 442-1902
 www.americanstandard.com

In Canada:
 AS CANADA ULC
 5900 Avebury Road
 Mississauga, Ontario
 Canada L5R 3M3
 For other information, or to obtain
 the name and address of the service
 and repair facility nearest you,
 call (800) 387-0369
 www.americanstandard.ca

In Mexico:
 AMERICAN STANDARD B&K MEXICO
 S. de R.L. de C.V.
 Via Morelos #330
 Col. Santa Clara
 Ecatepec 55540, Edo. Mexico
 For other information, or to obtain
 the name and address of the service
 and repair facility nearest you,
 call 01-800-839-1200
 www.americanstandard.com.mx

Please be sure to provide all pertinent information regarding your claim, including a complete description of the problem, the product, model number, color, finish, purchase date, and from whom the product was purchased.

AS AMERICA, INC. LIMITED WARRANTY FOR COMMERCIAL USE AMERICAST® TUBS

WARRANTY COVERAGE

AS America, Inc. ("American Standard") warrants this product against defects in materials and workmanship under normal commercial use for a period of TEN (10) years from the date of first purchase. The TEN (10) year warranty period does not apply to this product's textured bottom surface. American Standard warrants the textured bottom surface against defects in materials and workmanship under normal commercial use for a period of ONE (1) year from the date of first purchase.

Commercial use is defined as installations in apartments and other rental units, non-residential facilities, hotels, commercial businesses and/or other public accommodations. This warranty is provided for the exclusive benefit of the initial commercial purchaser or owner. This warranty is non-transferable to subsequent purchasers or owners. The sole exception to the non-transferability of this warranty is that if this product is purchased by a plumber, contractor or other service provider, this warranty extends to the first commercial owner on whose behalf the product was purchased for installation. This warranty applies only to tubs installed in the United States of America, Canada or Mexico.

If a defect arises and a valid claim is received, American Standard will, at its option, either repair or replace the defective product free of charge. The decision whether to repair or replace is determined by American Standard in its sole discretion. Proof of purchase (original sales receipt) must be provided to American Standard with all warranty claims. This warranty only applies to American Standard Americast® tubs. Unless otherwise specified, all other American Standard options and accessories are covered by the AS AMERICA, INC. ONE YEAR LIMITED WARRANTY, which warrants options and accessories against defects in material and workmanship for one (1) year from the date of first purchase.

EXCLUSIONS AND LIMITATIONS

1. This warranty does not apply to personal residential installations. The AS AMERICA, INC. LIFETIME LIMITED WARRANTY FOR PERSONAL RESIDENTIAL USE AMERICAST® TUBS applies to personal residential installations.
2. This warranty only applies to products purchased after January 1, 2017.
3. This warranty only applies to products purchased through an authorized AS America, Inc. dealer or re-seller.
4. This warranty does not apply to defects or damage caused by non-genuine American Standard parts, installation error, product abuse, product misuse, improper maintenance, improper care or cleaning, improper repair or installation, and/or movement or transfer of the tub from its original installation location (whether performed by you, a plumber, a contractor or a service company). Because improper care and cleaning can cause significant damage to the tub, it is strongly recommended that you follow the Care and Cleaning Instructions (as well as the other instructions) that accompanied the tub.
5. American Standard is not responsible for labor charges and/or damage incurred during installation, repair or replacement.
6. American Standard does not warrant that this product and/or its installation complies with local code requirements. American Standard recommends that you consult with a plumbing contractor about local code requirements.

TO THE EXTENT PERMITTED BY LAW, THIS WARRANTY IS EXCLUSIVE AND IN LIEU OF ALL OTHER WARRANTIES, WHETHER ORAL OR WRITTEN, STATUTORY, EXPRESS OR IMPLIED. AMERICAN STANDARD HEREBY EXCLUDES SPECIAL, INCIDENTAL AND CONSEQUENTIAL DAMAGES FOR ANY BREACH OF ANY EXPRESS OR IMPLIED WARRANTY APPLICABLE TO THIS PRODUCT.

Some states do not allow the exclusion or limitation of incidental or consequential damages, so the above limitations and exclusions may not apply to you. This warranty gives you specific legal rights, and you may also have other rights which vary from state to state (or province, as applicable).

OBTAINING WARRANTY SERVICE

If you believe that you have a warranty claim, contact American Standard, either through an authorized AS America, Inc. dealer or re-seller, or by writing:

In the United States:
 AMERICAN STANDARD BRANDS
 One Centennial Avenue
 Piscataway, NJ 08854
 Attn: Director of Consumer Affairs
 For other information, or to obtain
 the name and address of the service
 and repair facility nearest you,
 call (800) 442-1902
 www.americanstandard.com

In Canada:
 AS CANADA ULC
 5900 Avebury Road
 Mississauga, Ontario
 Canada L5R 3M3
 For other information, or to obtain
 the name and address of the service
 and repair facility nearest you,
 call (800) 387-0369
 www.americanstandard.ca

In Mexico:
 AMERICAN STANDARD B&K MEXICO
 S. de R.L. de C.V.
 Via Morelos #330
 Col. Santa Clara
 Ecatepec 55540, Edo. Mexico
 For other information, or to obtain
 the name and address of the service
 and repair facility nearest you,
 call 01-800-839-1200
 www.americanstandard.com.mx

Please be sure to provide all pertinent information regarding your claim, including a complete description of the problem, the product, model number, color, finish, purchase date, and from whom the product was purchased.

INSTRUCCIONES DE INSTALACIÓN CUIDADO Y MANTENIMIENTO

American
Standard

Bañera Princeton® c/modelos de rebosadero integral: 2394.202.ICH, 2395.202.ICH, 2396.202.ICH, 2397.202.ICH

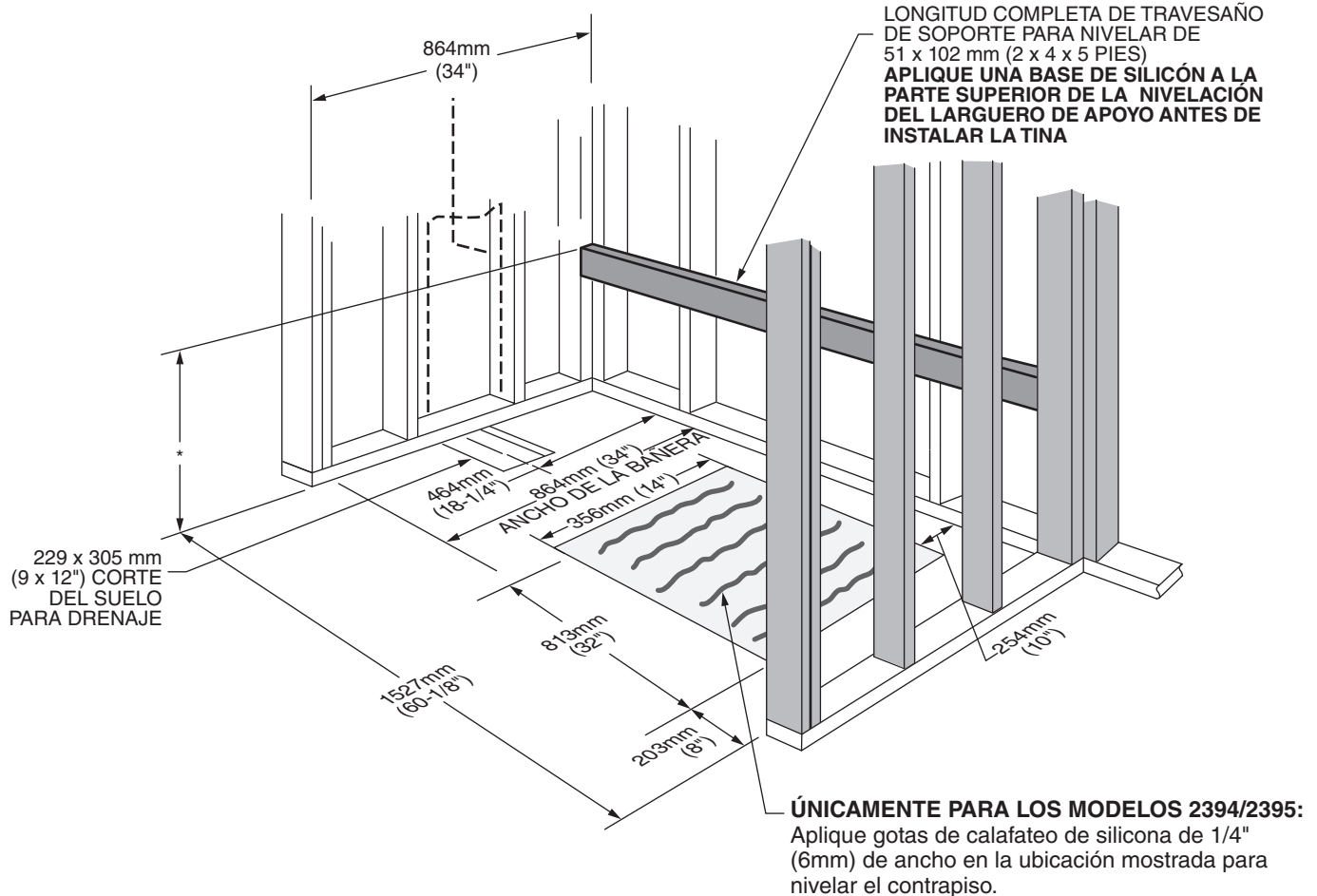
Gracias por elegir American Standard; referente de calidad durante más de 100 años. Para asegurarse de que el producto esté instalado correctamente, por favor lea estas instrucciones cuidadosamente antes de comenzar. (Ciertas instalaciones pueden requerir ayuda profesional.) Asegúrese de que su instalación cumpla con los códigos locales.

Siga los códigos locales de nivelación y construcción

1 INSTRUCCIONES DEL ARMAZÓN

Tome en cuenta que el hueco es de 1,527 x 864 mm (60-1/8 x 34"). Corte un orificio de 229 x 305 mm (9 x 12") por debajo del suelo para el drenaje, centrado a 362 mm (14-1/4) conforme se muestra para el área debajo del suelo acabado. Coloque los pernos conforme se requiera, luego asegúrese de que las dimensiones de la abertura acabada sean adecuadas y que los soportes estén nivelados y cuadrados.

* Instale el travesaño como se muestra (346 mm [13-5/8"] para cuando pase por el drenaje del suelo ó 435 mm [17-1/8"] para cuando se instala por encima del drenaje del suelo).



IMPORTANTE

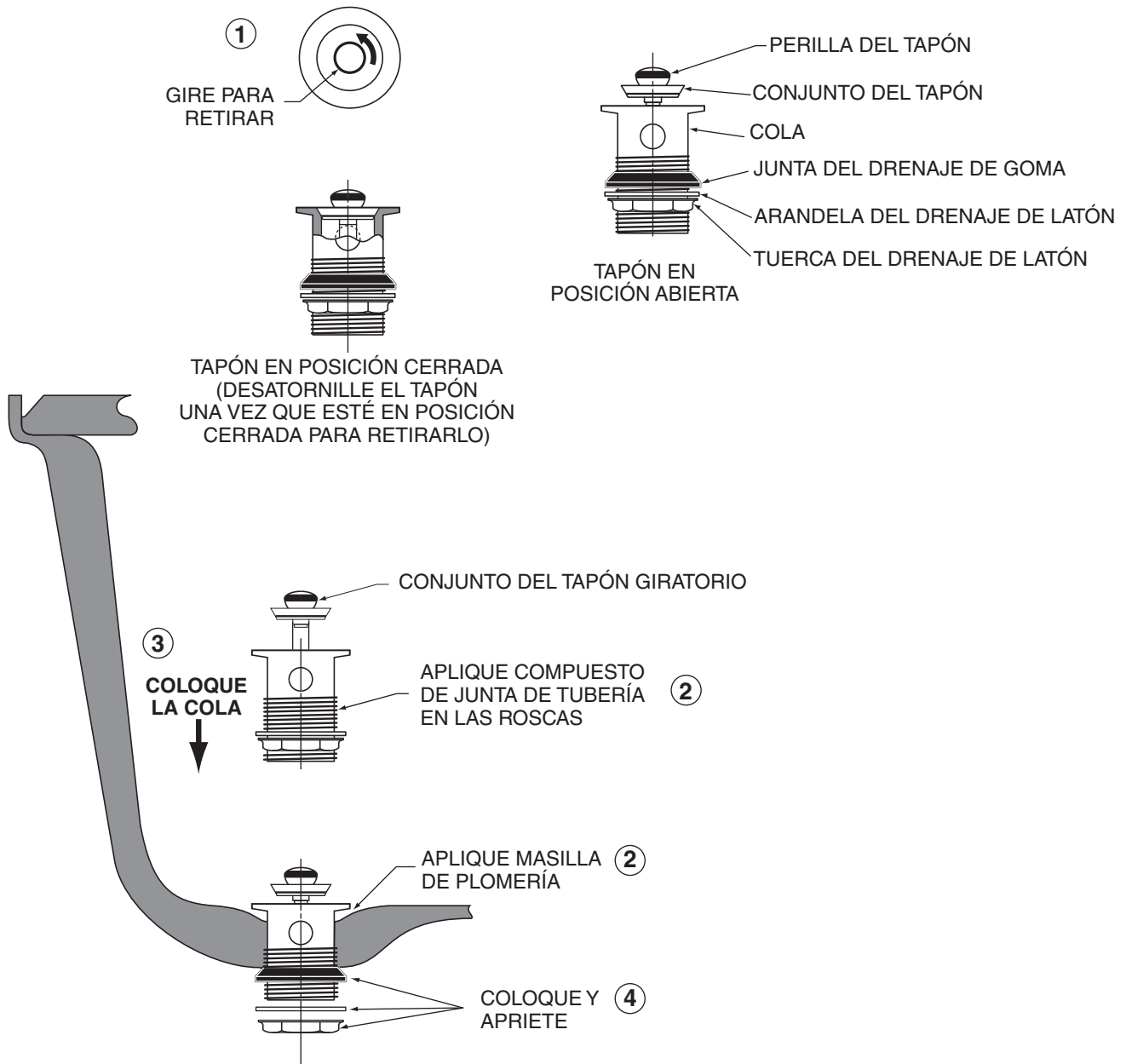
El Conjunto del Drenaje se adjunta con los modelos de bañera que se indican arriba. Localícelo y consérvelo para la instalación de la bañera **antes** de desechar la caja de embalaje de la misma.

GUARDE ESTAS INSTRUCCIONES PARA UN USO FUTURO

2 INSTALACIÓN DEL DRENAJE EXTRAÍBLE

- 1 Retire el conjunto del tapón giratorio y cola de la caja y verifique que todas las piezas estén incluidas. Retire el conjunto del tapón giratorio de la cola al colocar el tapón en la posición cerrada y gire la perilla del tapón hacia la izquierda. (Vuelva a instalar el tapón después de que la instalación del drenaje esté completa.)
- 2 Aplique masilla de plomería alrededor del orificio del drenaje y compuesto de rosca de tubería en el extremo roscado de la cola.
- 3 Coloque la cola en el orificio del drenaje. (Se debe retirar el conjunto del tapón giratorio y volver a instalarlo después de que la instalación de la bañera esté completa.)
- 4 Desde debajo de la bañera: Coloque el sello de calce de goma en la cola, con el extremo pequeño hacia la bañera, y céntrelo en el orificio, coloque la arandela de latón sobre la cola y enrosque sobre la tuerca de seguridad, con el lado de la brida primero. Apriete la tuerca de seguridad para lograr un sellado uniforme entre el sello de calce y el orificio de la bañera. Apretar de 1/2 a 1 vez más allá del giro a mano.
¡NO LA APRIETE EN EXCESO!

Se puede hacer una conexión final hacia el desagüe de la bañera con las roscas internas de la cola (tubo de 1-1/2 rosca de 1-1/2-28) o con las roscas externas de la cola (1-1/2-11-1/2 NPSM) para ajustar bien la bañera.



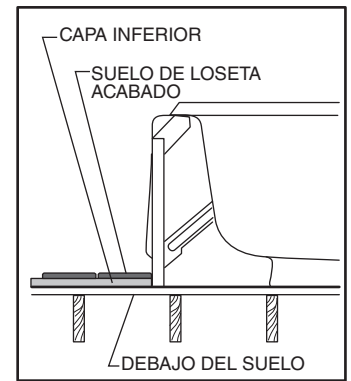
3 INSTALACIÓN - EL MATERIAL DE CAMA (MORTERO, SANDMIX, ETC.) ES ACEPTABLE EL SUBSUELO DEBE DE ESTAR ESTRUCTURALMENTE SIN FALLAS Y LIBRE DE MOVIMIENTO/FLEXIÓN.

La bañera se provee con una base integral para facilitar su instalación. Coloque la bañera sobre el suelo y deslícela a su posición hasta que descansa sobre el travesaño posterior. La base no necesita estar en contacto con el piso para tener una instalación adecuada. La base, en los modelos 2396 y 2397, está arriba del nivel del piso para facilitar la instalación del desagüe. Verifique el nivel, del frente a la parte posterior y de lado a lado. Asimismo, verifique el orificio del espacio del drenaje por debajo del suelo. Para asegurar la bañera con pernos de madera, use tornillos para placas de yeso con empaques en la parte superior de la brida de la bañera. Para asegurar la bañera con pernos de acero, use tornillos de mampostería y arandelas planas. (Ver el paso 4)

Precaución: Tenga mucho cuidado al introducir los remaches o tornillos para evitar que se dañe la bañera.

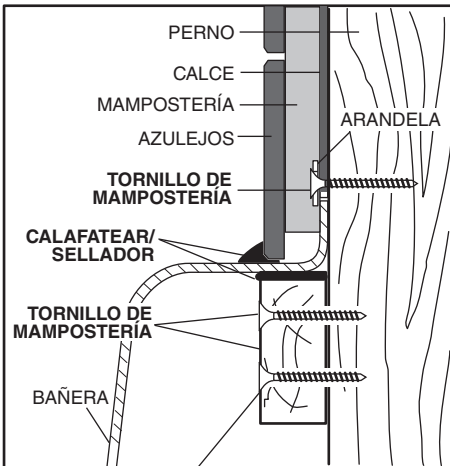
La loseta o material similar del suelo acabado estará contra la parte inferior del revestimiento de la bañera, lo cual también la sostendrá en su lugar.

NOTA: La garantía se invalidará si el drenaje se instala después de que se haya colocado la bañera.

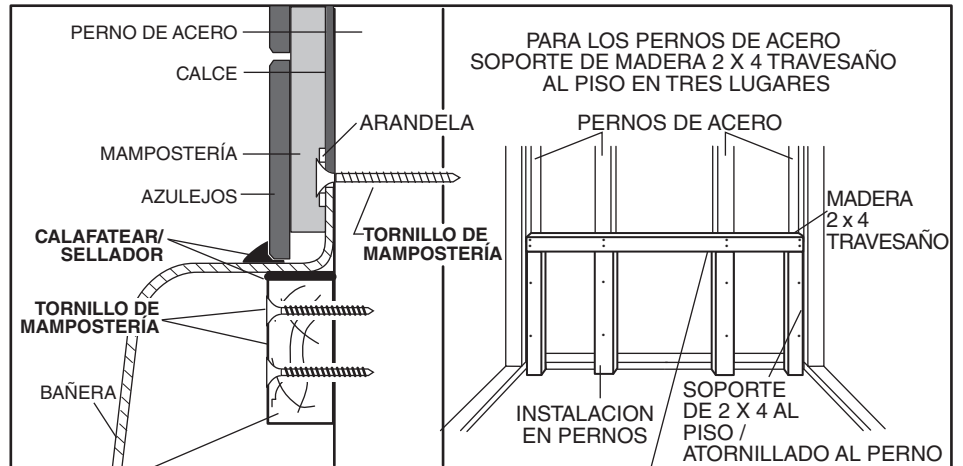


4 A continuación se muestran las secciones transversales del borde de la bañera y las construcciones de pared características.

PERNOS DE MADERA

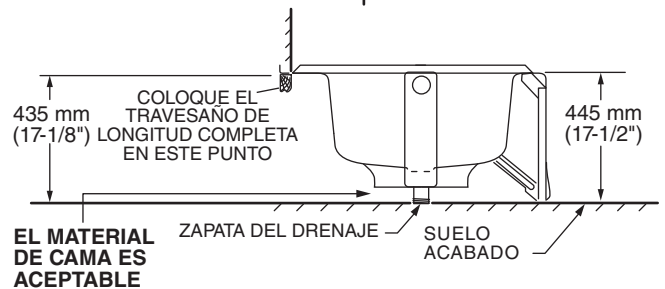
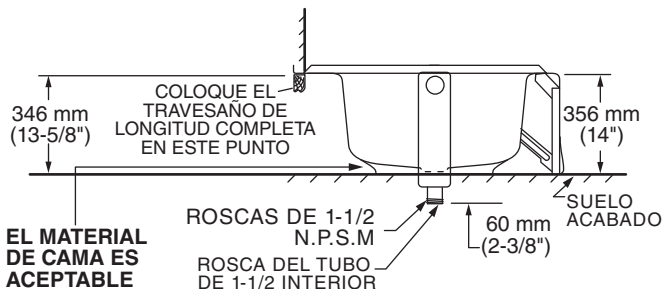
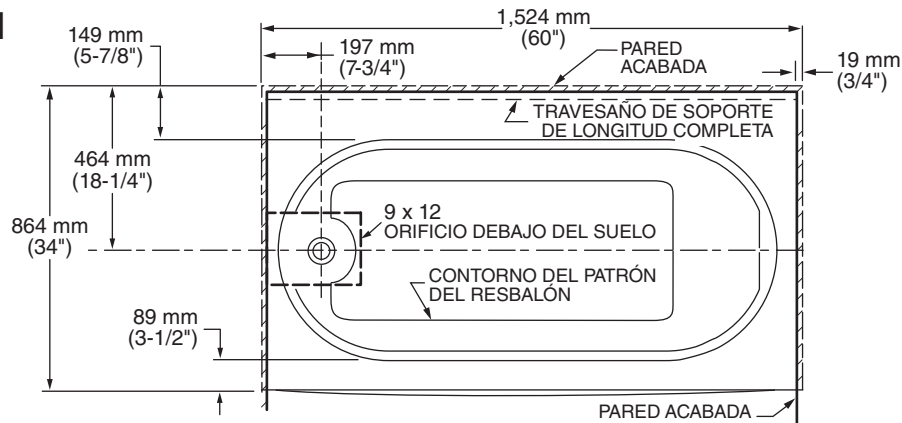


PERNOS DE ACERO



51 x 102 mm (2 x 4) MADERA TRAVESAÑO DE LONGITUD COMPLETA

5 PREPARACIÓN



DEBAJO DEL SUELO ACABADO
2394.202 REBOSADERO INTEGRAL
2395.202 REBOSADERO INTEGRAL

ILUSTRACIÓN DE PARTE IZQUIERDA DE LA BAÑERA
LA PARTE DERECHA DE LA BAÑERA ESTÁ INVERTIDA

SOBRE EL SUELO ACABADO
2396.202 REBOSADERO INTEGRAL
2397.202 REBOSADERO INTEGRAL

GARANTÍA LIMITADA DE POR VIDA DE AS AMERICA, INC. PARA TINAS AMERICAST® DE USO PERSONAL Y RESIDENCIAL**COBERTURA DE LA GARANTÍA**

AS America, Inc. ("American Standard") garantiza este producto por defectos en el material y la mano de obra bajo un uso residencial normal, siempre y cuando sea la propiedad del comprador consumidor original. La garantía de por vida no se aplica a la superficie inferior texturizada del producto. American Standard garantiza la superficie inferior texturizada por defectos en el material y la mano de obra bajo un uso residencial normal por un plazo de UN (1) año a partir de la fecha de la compra inicial.

Esta garantía se ofrece para el beneficio exclusivo del comprador o propietario consumidor inicial. Esta garantía no es transferible a los subsiguientes compradores ni propietarios. La única excepción al carácter intransferible de esta garantía se da en el caso en que un plomero, contratista u otro proveedor de servicios compre el producto; esta garantía se extiende al primer propietario residencial en cuya representación se adquirió el producto. Esta garantía se aplica únicamente a las tinas instaladas en Estados Unidos, Canadá o México.

Si surge un defecto y se recibe un reclamo válido, American Standard, a su opción, reparará o reemplazará el producto defectuoso sin cargo. La decisión de reparar o reemplazar el producto la determinará American Standard según su propio criterio. Con todos los reclamos conformes a la garantía, se deberá suministrar a American un comprobante de compra (recibo de compra original).

Esta garantía se aplica únicamente a las tinas American Standard Americast®. Salvo que se indique lo contrario, todas las otras opciones y accesorios American Standard se encuentran cubiertos por la GARANTÍA LIMITADA DE UN AÑO DE AS AMERICA, INC., que garantiza las opciones y los accesorios por defectos en material y mano de obra por un (1) año a partir de la primera compra.

EXCLUSIONES Y LIMITACIONES

1. Esta garantía no se aplica a las instalaciones comerciales (definidas como instalaciones en apartamentos y unidades de renta, instalaciones no residenciales, hoteles, negocios comerciales u otras instalaciones públicas). La GARANTÍA LIMITADA PARA USO COMERCIAL DE AS AMERICA, INC. PARA LAS TINAS AMERICAST® se aplica a las instalaciones comerciales.
2. Esta garantía se aplica únicamente a los productos **comprados** después del 1 de enero de 2017.
3. Esta garantía se aplica únicamente a los productos comprados a través de un distribuidor o revendedor autorizado de AS America, Inc.
4. Esta garantía no se aplica a los defectos ni daños causados por piezas no auténticas de American Standard, errores en la instalación, el abuso o uso incorrecto del producto, el mantenimiento inadecuado, el cuidado o la limpieza inadecuada, la reparación o instalación inadecuada, ni el desplazamiento o la transferencia de la tina de la ubicación de su instalación original (ya sea que lo realice usted, un plomero, un contratista o una empresa de servicios). Como el cuidado y la limpieza inadecuada pueden causar daños significativos a la tina, se recomienda firmemente respetar las Instrucciones de cuidado y limpieza (al igual que las otras instrucciones) que recibió con la tina.
5. American Standard no es responsable de los gastos por mano de obra ni del daño incurrido durante la instalación, la reparación ni el reemplazo.
6. American Standard no garantiza que este producto ni su instalación cumplan con los requisitos de los códigos locales. American Standard le recomienda consultar a un plomero contratista sobre los requisitos de los códigos locales.

HASTA EL GRADO PERMITIDO POR LA LEY, ESTA GARANTÍA ES EXCLUSIVA Y REEMPLAZA TODAS LAS OTRAS GARANTÍAS, YA SEAN ORALES O ESCRITAS, POR LEY, EXPRESAS O IMPLÍCITAS. AMERICAN STANDARD EXCLUYE POR LA PRESENTE LOS DAÑOS Y PERJUICIOS ESPECIALES, INCIDENTALES Y EMERGENTES POR CUALQUIER INCUMPLIMIENTO DE CUALQUIER GARANTÍA EXPRESA O IMPLÍCITA APLICABLE A ESTE PRODUCTO.

Algunos estados no permiten la exclusión o limitación de los daños y perjuicios incidentales o emergentes, por lo cual las limitaciones y exclusiones anteriores podrán no aplicársele. Esta garantía le otorga derechos legales específicos, y también podrá tener otros derechos que varían según el estado (o la provincia, tal como sea aplicable).

PARA OBTENER SERVICIO DE GARANTÍA

Si cree que tiene un reclamo conforme a la garantía, comuníquese con American Standard, ya sea contactando a un distribuidor o revendedor autorizado de AS America, Inc. o escribiendo a:

En Estados Unidos:
AMERICAN STANDARD BRANDS
One Centennial Avenue
Piscataway, NJ 08855
Attention: Director of Consumer Affairs
Para mayor información, o para obtener el nombre y la dirección de la instalación de servicio y refacciones más cercana, llame al (800) 442-1902.
www.americanstandard.com

En Canadá:
AS CANADA ULC
5900 Avebury Road
Mississauga, Ontario
Canada L5R 3M3
Para mayor información, o para obtener el nombre y la dirección de la instalación de servicio y refacciones más cercana, llame al (800) 387-0369.
www.americanstandard.ca

En México:
AMERICAN STANDARD B&K MEXICO
S. de R.L. de C.V.
Vía Morelos #330
Col. Santa Clara
Ecatepec 55540 Edo. de México
Para mayor información, o para obtener el nombre y la dirección de la instalación de servicio y refacciones más cercana, llame al 01-800-839-1200.
www.americanstandard.com.mx

Debe brindar toda la información pertinente sobre su reclamo, incluyendo una descripción completa del problema, el producto, el número de modelo, el color, el acabado, la fecha de compra y la persona a quien le compró el producto.

GARANTÍA LIMITADA PARA USO COMERCIAL DE AS AMERICA, INC. PARA LAS TINAS AMERICAST®**COBERTURA DE LA GARANTÍA**

AS America, Inc. ("American Standard") garantiza este producto por defectos en el material y la mano de obra bajo un uso comercial normal por un plazo de DIEZ (10) años a partir de la fecha de la compra inicial. El plazo de la garantía de DIEZ (10) años no se aplica a la superficie inferior texturizada del producto. American Standard garantiza la superficie inferior texturizada por defectos en el material y la mano de obra bajo un uso comercial normal por un plazo de UN (1) año a partir de la fecha de la compra inicial.

Uso comercial se define como las instalaciones en apartamentos y unidades de renta, instalaciones no residenciales, hoteles, negocios comerciales u otras instalaciones públicas.

Esta garantía se ofrece para el beneficio exclusivo del comprador o propietario comercial inicial. Esta garantía no es transferible a los subsiguientes compradores ni propietarios. La única excepción al carácter intransferible de esta garantía se da en el caso en que un plomero, contratista u otro proveedor de servicios compre el producto; esta garantía se extiende al primer propietario comercial en cuya representación se adquirió el producto. Esta garantía se aplica únicamente a las tinas instaladas en Estados Unidos, Canadá o México.

Si surge un defecto y se recibe un reclamo válido, American Standard, a su opción, reparará o reemplazará el producto defectuoso sin cargo. La decisión de reparar o reemplazar el producto la determinará American Standard según su propio criterio. Con todos los reclamos conformes a la garantía, se deberá suministrar a American un comprobante de compra (recibo de compra original).

Esta garantía se aplica únicamente a las tinas American Standard Americast®. Salvo que se indique lo contrario, todas las otras opciones y accesorios American Standard se encuentran cubiertos por la GARANTÍA LIMITADA DE UN AÑO DE AS AMERICA, INC., que garantiza las opciones y los accesorios por defectos en material y mano de obra por un (1) año a partir de la primera compra.

EXCLUSIONES Y LIMITACIONES

1. Esta garantía no se aplica a las instalaciones residenciales personales. La GARANTÍA LIMITADA DE POR VIDA DE AS AMERICA, INC. PARA TINAS AMERICAST® DE USO PERSONAL Y RESIDENCIAL se aplica a las instalaciones residenciales personales.
2. Esta garantía se aplica únicamente a los productos **comprados** después del 1 de enero de 2017.
3. Esta garantía se aplica únicamente a los productos comprados a través de un distribuidor o revendedor autorizado de AS America, Inc.
4. Esta garantía no se aplica a los defectos ni daños causados por piezas no auténticas de American Standard, errores en la instalación, el abuso o uso incorrecto del producto, el mantenimiento inadecuado, el cuidado o la limpieza inadecuada, la reparación o instalación inadecuada, ni el desplazamiento o la transferencia de la tina de la ubicación de su instalación original (ya sea que lo realice usted, un plomero, un contratista o una empresa de servicios). Como el cuidado y la limpieza inadecuada pueden causar daños significativos a la tina, se recomienda firmemente respetar las Instrucciones de cuidado y limpieza (al igual que las otras instrucciones) que recibió con la tina.
5. American Standard no es responsable de los gastos por mano de obra ni del daño incurrido durante la instalación, la reparación ni el reemplazo.
6. American Standard no garantiza que este producto ni su instalación cumplan con los requisitos de los códigos locales. American Standard le recomienda consultar a un plomero contratista sobre los requisitos de los códigos locales.

HASTA EL GRADO PERMITIDO POR LA LEY, ESTA GARANTÍA ES EXCLUSIVA Y REEMPLAZA TODAS LAS OTRAS GARANTÍAS, YA SEAN ORALES O ESCRITAS, POR LEY, EXPRESAS O IMPLÍCITAS. AMERICAN STANDARD EXCLUYE POR LA PRESENTE LOS DAÑOS Y PERJUICIOS ESPECIALES, INCIDENTALES Y EMERGENTES POR CUALQUIER INCUMPLIMIENTO DE CUALQUIER GARANTÍA EXPRESA O IMPLÍCITA APLICABLE A ESTE PRODUCTO.

Algunos estados no permiten la exclusión o limitación de los daños y perjuicios incidentales o emergentes, por lo cual las limitaciones y exclusiones anteriores podrán no aplicársele. Esta garantía le otorga derechos legales específicos, y también podrá tener otros derechos que varían según el estado (o la provincia, tal como sea aplicable).

PARA OBTENER SERVICIO DE GARANTÍA

Si cree que tiene un reclamo conforme a la garantía, comuníquese con American Standard, ya sea contactando a un distribuidor o revendedor autorizado de AS America, Inc. o escribiendo a:

En Estados Unidos:
AMERICAN STANDARD BRANDS
One Centennial Avenue
Piscataway, NJ 08855
Attention: Director of Consumer Affairs
Para mayor información, o para obtener el nombre y la dirección de la instalación de servicio y refacciones más cercana, llame al (800) 442-1902.
www.americanstandard.com

En Canadá:
AS CANADA ULC
5900 Avebury Road
Mississauga, Ontario
Canada L5R 3M3
Para mayor información, o para obtener el nombre y la dirección de la instalación de servicio y refacciones más cercana, llame al (800) 387-0369.
www.americanstandard.ca

En México:
AMERICAN STANDARD B&K MEXICO
S. de R.L. de C.V.
Vía Morelos #330
Col. Santa Clara
Ecatepec 55540 Edo. de México
Para mayor información, o para obtener el nombre y la dirección de la instalación de servicio y refacciones más cercana, llame al 01-800-839-1200.
www.americanstandard.com.mx

Debe brindar toda la información pertinente sobre su reclamo, incluyendo una descripción completa del problema, el producto, el número de modelo, el color, el acabado, la fecha de compra y la persona a quien le compró el producto.

INSTRUCTIONS D'INSTALLATION SOINS ET ENTRETIEN

American
Standard

Baignoires Princeton® avec trop plein intégré : 2394.202.ICH, 2395.202.ICH, 2396.202.ICH, 2397.202.ICH

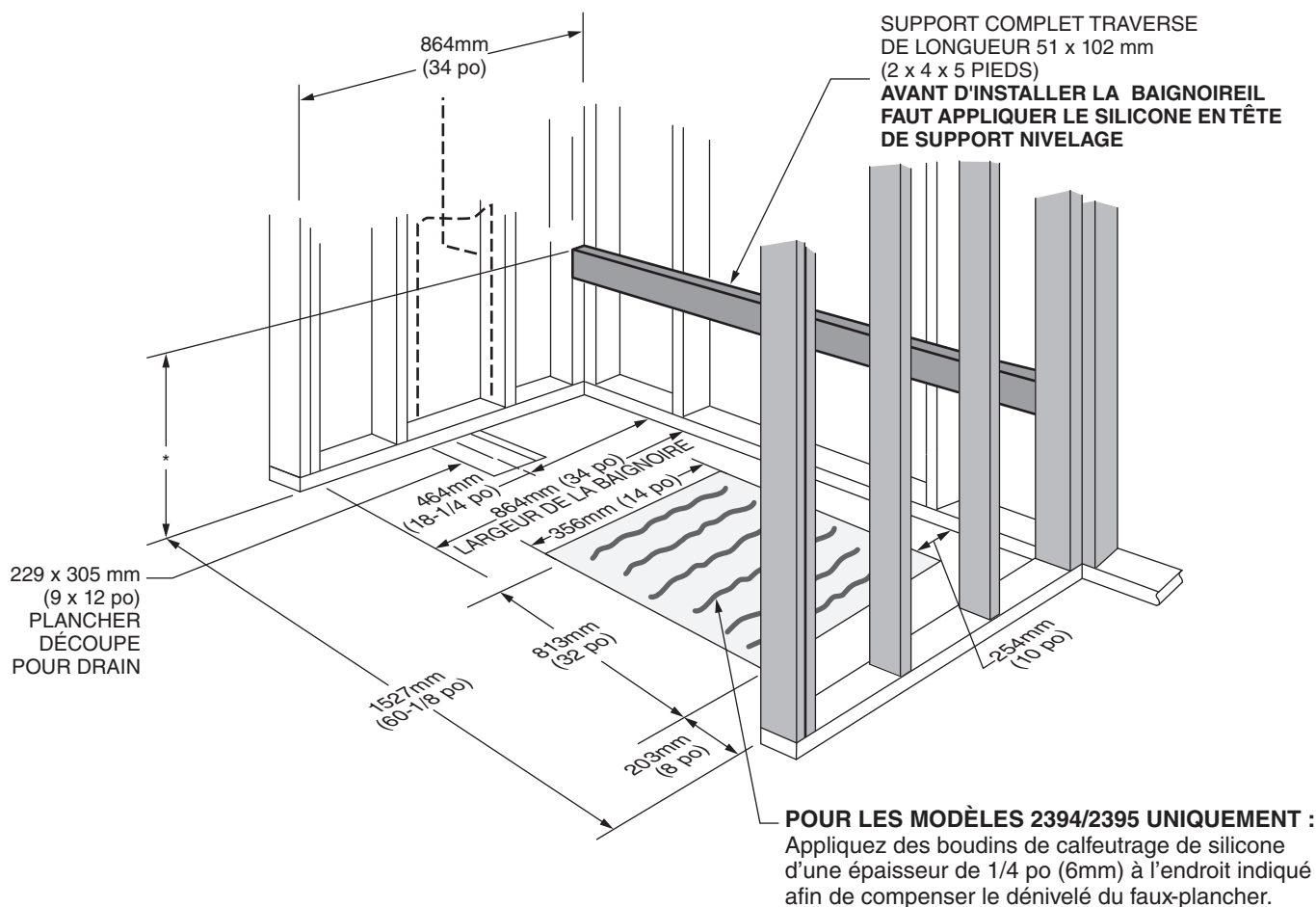
Nous vous remercions d'avoir choisi American Standard - synonyme de qualité supérieure depuis plus de 100 ans. Afin d'effectuer une bonne installation de cet accessoire, veuillez lire attentivement ces instructions avant de commencer. (Certaines installations peuvent requérir une aide professionnelle.) Assurez-vous également que votre installation est conforme aux codes locaux.

Respecter les codes locaux de plomberie et du bâtiment

1 INSTRUCTIONS D'ENCADREMENT

Prendre note que la cavité est de 1,527 x 864 mm (60-1/8 x 34 po). Découper un trou de 229 x 305 mm (9 x 12 po) dans le sous-plancher pour le drain, centrer à 362 mm (14 1/4 po) tel qu'illustré pour l'installation sur plancher non fini. Localiser les structures, puis s'assurer que les dimensions des ouvertures sont correctes et que les supports sont d'aplomb et d'équerre.

* Installer la traverse comme illustrée à 346 mm [13-5/8 po] pour le drainage par le plancher ou à 435 mm [17-1/8 po] pour le drainage au-dessus du plancher.



IMPORTANT

Le drain est inclus avec les modèles de baignoires énumérés ci-dessus. Localiser et conserver pour l'installation de la baignoire avant de jeter le carton de la baignoire.

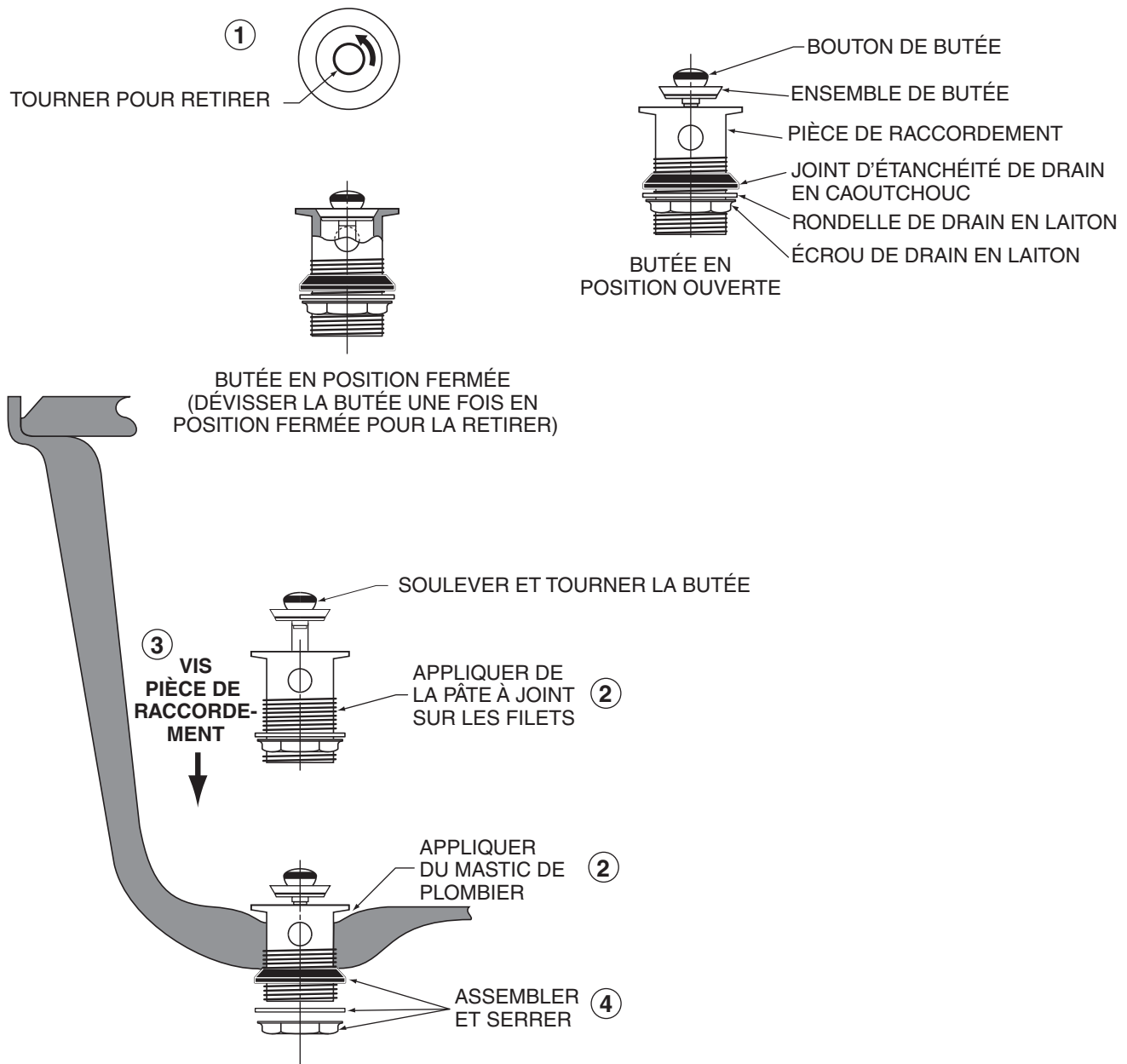
CONSERVER POUR USAGE ULTÉRIEUR

2 INSTALLATION DU DRAIN

- ① Retirer, la butée à soulever et tourner et la pièce de raccordement de la boîte et vérifier que toutes les pièces sont incluses. Retirer la butée à soulever et tourner de la pièce de raccordement en mettant la butée en position fermée et tourner le bouton de la butée dans le sens antihoraire. (Reposer la butée une fois l'installation du drain terminée.)
- ② Mettre du mastic de plombier autour du trou du drain et de la pâte à joint sur l'extrémité filetée de la pièce de raccordement.
- ③ Mettre la pièce de raccordement dans le trou du drain. (La butée à soulever et tourner doit être retirée et reposée une fois l'installation de la baignoire terminée.)
- ④ Depuis le dessous de la baignoire : Mettre le joint d'étanchéité de coin sur la pièce de raccordement, la petite extrémité vers la baignoire, et centrer dans le trou, mettre la rondelle en laiton sur la pièce de raccordement et visser sur le contre-écrou, côté collerette d'abord. Serrer le contre-écrou pour obtenir un joint uniforme entre le joint d'étanchéité de coin et le trou dans la baignoire. Serrer de 1/2 à 1 tour au-delà du serrage à la main.

ÉVITER DE TROP SERRER!

Le dernier raccordement à l'évacuation de la baignoire peut être fait à l'aide des filets internes dans la pièce de raccordement (tube 1 1/2, 1 1/2 - 28 filets), ou par les filets externes sur la pièce de raccordement (1 1/2, 11 1/2 NPSM) pour un bon ajustement de la baignoire.



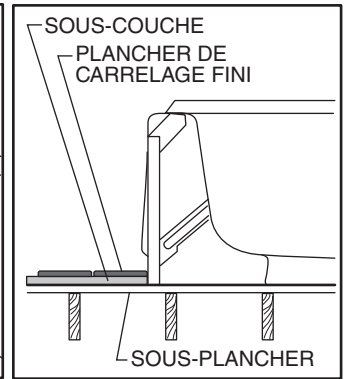
3 INSTALLATION - LE MATERIEL DE LITERIE (LE MORTIER, SANDMIX, ETC.) EST ACCEPTABLE SOUS-PLANCHER DOIT ÊTRE STRUCTURELLEMENT SAIN ET EXEMPT DE MOUVEMENT / FLEXION

La baignoire est fournie avec une base intégrale afin de faciliter son installation. Positionner la baignoire sur le plancher et la glisser en place jusqu'à ce que la cuve repose sur la traverse arrière. La base n'a pas besoin d'être installée en contact avec le sol. La base sur les modèles 2396 et 2397 est plus haute que le sol afin de faciliter l'installation de l'évacuation. Vérifier le niveau, de l'avant à l'arrière et d'un côté à l'autre. Vérifier également le dégagement du trou de drainage dans le sous-plancher. Pour fixer la baignoire à la structure de bois, utiliser des vis gyproc avec rondelle juste au-dessus du rebord de la baignoire. Pour fixer la baignoire à une structure en acier, utiliser des vis à cloison sèche et des rondelles. (Voir l'étape 4)

Avertissement : Prendre des précautions supplémentaires lorsque vous utilisez des clous ou des vis afin d'éviter d'endommager la baignoire.

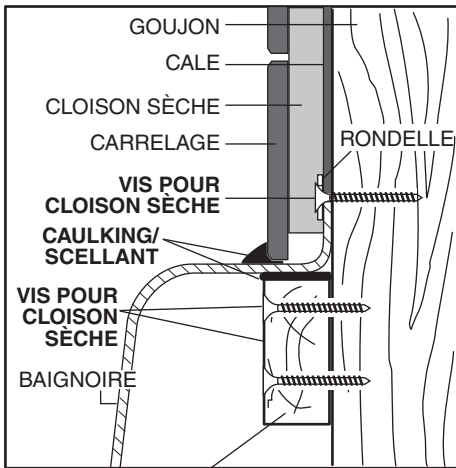
Le carrelage ou une finition similaire sera appuyée contre le bas du tablier de la baignoire retenant également la baignoire en place.

REMARQUE : La garantie sera annulée si le drain est installé après la mise en place de la baignoire.

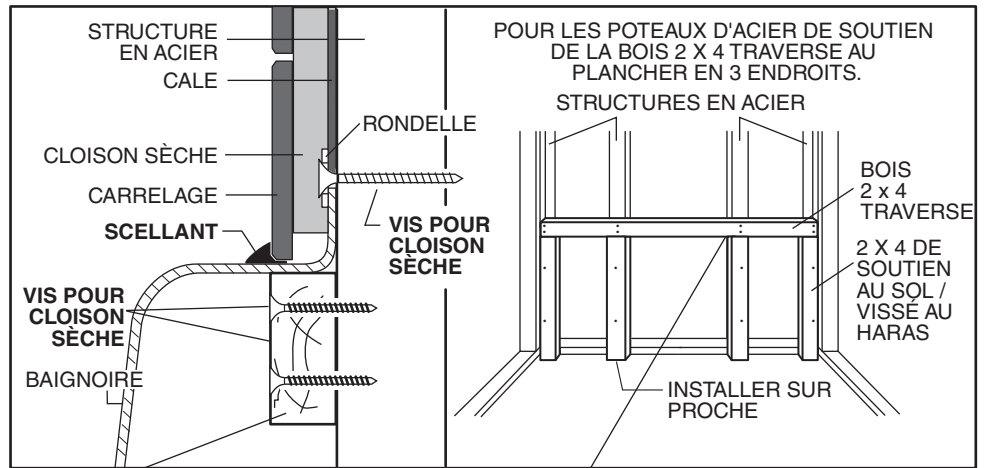


4 Ci-dessous sont illustrées des sections transversales caractéristiques du rebord de cuve démontrant les constructions typiques de murs.

STRUCTURES DE BOIS

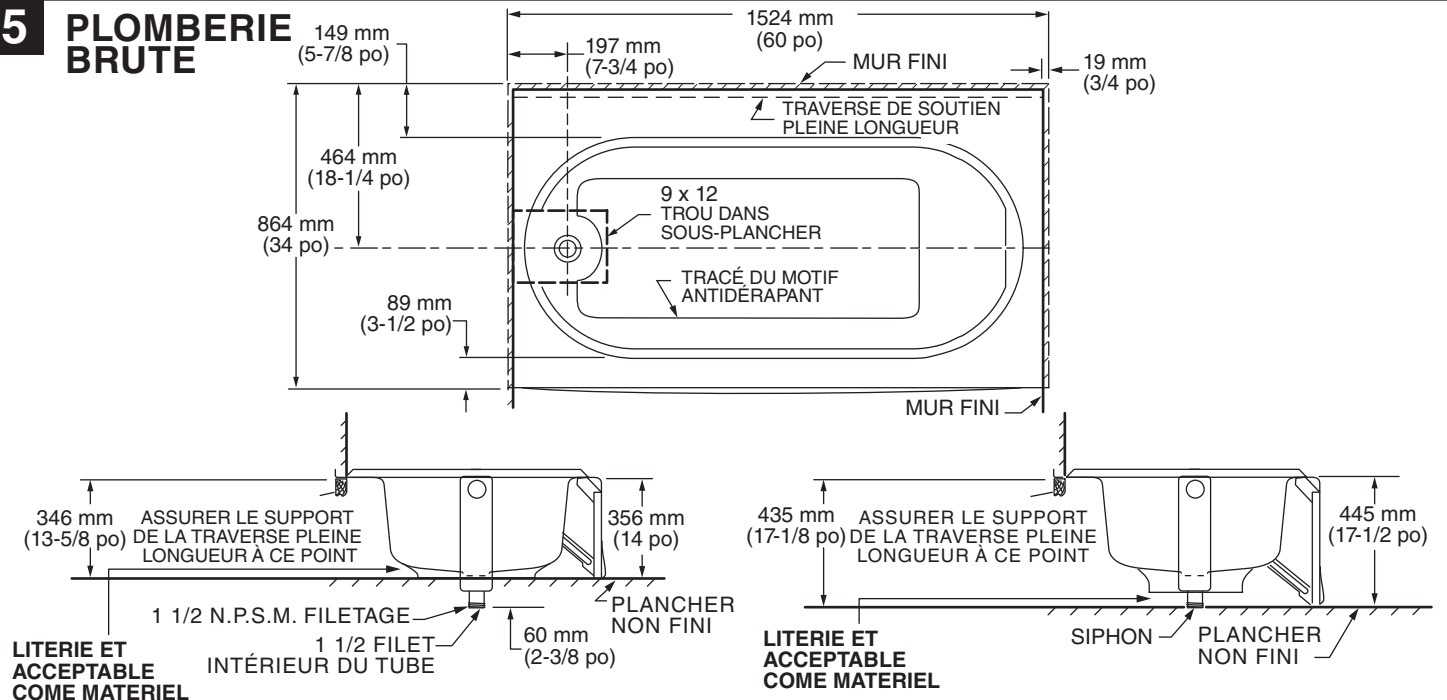


STRUCTURES EN ACIER



BOIS 51 X 102 mm (2 X 4) TRAVERSE PLEINE LONGUEUR

5 PLOMBERIE BRUTE



EN-DESSOUS DU PLANCHER NON FINI
2394.202 TROP PLEIN INTÉGRÉ
2395.202 TROP PLEIN INTÉGRÉ

BAIGNOIRE CÔTÉ GAUCHE ILLUSTRÉE
BAIGNOIRE CÔTÉ DROIT INVERSÉE

AU-DESSUS DU PLANCHER NON FINI
2396.202 TROP PLEIN INTÉGRÉ
2397.202 TROP PLEIN INTÉGRÉ

AS AMERICA, INC. GARANTIE LIMITÉE À VIE POUR LES BAINOIRES AMERICAST® POUR UTILISATIONS PERSONNELLE ET RÉSIDENNELLE**COUVERTURE DE LA GARANTIE**

AS America, Inc. (« American Standard ») garantit ce produit contre les défauts dans les matériaux et la main-d'œuvre dans des conditions normales d'usage résidentiel tant et aussi longtemps que le produit appartient au consommateur/à l'acheteur original. La garantie à vie ne s'applique pas à la surface de fond texturée de ce produit. American Standard garantit la surface de fond texturée contre les défauts dans les matériaux et la main-d'œuvre dans des conditions normales d'usage résidentiel pour une période de UN (1) an suivant la date de l'achat initial.

Cette garantie est fournie au bénéfice exclusif du propriétaire ou du consommateur/de l'acheteur initial. Cette garantie n'est pas transférable à des acheteurs ou des propriétaires subséquents. La seule exception à la non-transférabilité de cette garantie est que si ce produit est acheté par un plombier, un entrepreneur ou un autre fournisseur de services, cette garantie s'étend au propriétaire du bien résidentiel initial au nom duquel le produit a été acheté pour l'installation. Cette garantie s'applique seulement aux baignoires installées aux États-Unis, au Canada ou au Mexique.

Si un défaut survient et une réclamation valide est reçue, American Standard réparera ou remplacera gratuitement le produit défectueux à son entière discrétion. La décision de réparer ou de remplacer le produit est déterminée par American Standard à son entière discrétion. Une preuve d'achat (coupon de caisse original) doit être fournie à American Standard avec toutes les réclamations de garantie.

Cette garantie d'applique seulement aux baignoires Americast® d'American Standard. Sauf avis contraire, tous les accessoires et les options American Standard sont couverts par la GARANTIE LIMITÉE D'UN AN D'AS AMERICA INC., qui garantit les accessoires et les options contre les défauts dans les matériaux et la main-d'œuvre dans des conditions normales d'usage résidentiel pour une période de UN (1) an suivant la date de l'achat initial.

EXCLUSIONS ET LIMITATIONS

1. Cette garantie ne s'applique pas aux installations commerciales (définies comme des installations dans les appartements et dans d'autres unités de location, installations non-résidentielles, hôtels, entreprises commerciales ou autres lieux publics). La GARANTIE LIMITÉE D'AS AMERICA, INC. POUR LES BAINOIRES AMERICAST® POUR UTILISATION COMMERCIALE s'applique aux installations commerciales.
2. Cette garantie s'applique seulement aux produits **achetés** après le 1er janvier 2017.
3. Cette garantie s'applique seulement aux produits achetés au moyen d'un vendeur ou d'un revendeur autorisé d'AS America, Inc.
4. Cette garantie ne s'applique pas aux défauts ou aux dommages causés par des pièces non authentiques d'American Standard, des erreurs d'installation, un emploi abusif du produit, la mauvaise utilisation du produit, l'entretien inadéquat, l'entretien ou le nettoyage inadéquat, la réparation ou l'installation inadéquate, ou le mouvement ou le transfert de la baignoire à partir de l'endroit où elle a été installée à l'origine (qu'ils soient effectués par vous, un plombier, un entrepreneur ou une entreprise de service). Puisque l'entretien et le nettoyage inadéquats peuvent endommager la baignoire de manière importante, on recommande fortement que vous suiviez les instructions d'entretien et de nettoyage (ainsi que les autres instructions) qui accompagnent la baignoire.
5. American Standard n'est pas responsable des frais de main-d'œuvre ou de dommages survenus pendant l'installation, la réparation ou le remplacement.
6. American Standard ne garantit pas que ce produit ou son installation sont conformes aux exigences des codes locaux. American Standard recommande que vous consultiez un entrepreneur en plomberie au sujet des exigences des codes locaux.

DANS LA MESURE PERMISE PAR LA LOI, CETTE GARANTIE EST EXCLUSIVE ET REMPLACE TOUTES LES GARANTIES, ORALES OU ÉCRITES, LÉGALES, EXPRESSES OU IMPLIQUÉES. AMERICAN STANDARD EXCLUT PAR LA PRÉSENTE LES DOMMAGES SPÉCIAUX, INCIDENTELS ET CONSÉQUENTIELS POUR TOUTE VIOLATION DE TOUTE GARANTIE EXPRESSE OU IMPLIQUÉE QUI S'APPLIQUE À CE PRODUIT.

Certains États ne permettent pas l'exclusion ou la limitation de dommages indirects ou consécutifs; ces limitations ci-dessus peuvent donc ne pas s'appliquer à vous. Cette garantie vous confère des droits légaux particuliers, et vous pourriez jouir d'autres droits selon votre État (ou votre province, le cas échéant).

BÉNÉFICIER D'UN SERVICE DE GARANTIE

Si vous croyez avoir une réclamation de garantie, communiquez avec American Standard, au moyen d'un vendeur ou d'un revendeur autorisé d'AS America, Inc., ou en écrivant à :

Aux États-Unis :

AMERICAN STANDARD BRANDS
One Centennial Avenue
Piscataway, NJ 08855

À l'attention de : Directeur ou
directrice de la consommation

Pour de plus amples renseignements ou
pour obtenir le nom et l'adresse du service
et de l'installation de réparation près de
vous, veuillez appeler au 800-442-1902.
www.americanstandard.com

Au Canada :

AS CANADA ULC
5900 Avebury Road
Mississauga (Ontario)
Canada L5R 3M3

Pour de plus amples renseignements
ou pour obtenir le nom et l'adresse
du service et de l'installation de
réparation près de vous, veuillez
appeler au 800-387-0369.
www.americanstandard.ca

Au Mexique :

AMERICAN STANDARD B&K MEXICO
S. de R.L. de C.V.
Via Morelos #330
Col. Santa Clara
Ecatepec 55540 Edo. Mexico

Pour de plus amples renseignements ou
pour obtenir le nom et l'adresse du service
et de l'installation de réparation près de vous,
veuillez appeler au 01-800-839-1200.
www.americanstandard.com.mx

Veuillez vous assurer de fournir tous les renseignements pertinents pour votre réclamation, notamment une description complète du problème, le produit, le numéro du modèle, la couleur, le fini, la date d'achat, et où le produit a été acheté.

COUVERTURE DE LA GARANTIE LA GARANTIE LIMITÉE D'AS AMERICA, INC. POUR LES BAINOIRES AMERICAST® POUR UTILISATION COMMERCIALE

AS America, Inc. (« American Standard ») garantit ce produit contre les défauts dans les matériaux et la main-d'œuvre dans des conditions normales d'utilisation commerciale pour une période de DIX (10) ans suivant la date de l'achat initial. Une période de garantie de DIX (10) ans ne s'applique pas à la surface de fond texturée de ce produit. American Standard garantit la surface de fond texturée contre les défauts dans les matériaux et la main-d'œuvre dans des conditions normales d'utilisation commerciale pour une période de UN (1) an suivant la date de l'achat initial.

L'utilisation commerciale est définie comme des installations dans les appartements et dans d'autres unités de location, installations non-résidentielles, hôtels, entreprises commerciales ou autres lieux publics.

Cette garantie est fournie au bénéfice exclusif du propriétaire ou du consommateur/de l'acheteur commercial initial. Cette garantie n'est pas transférable à des acheteurs ou des propriétaires subséquents. La seule exception à la non-transférabilité de cette garantie est que si ce produit est acheté par un plombier, un entrepreneur ou un autre fournisseur de services, cette garantie s'étend au propriétaire du bien commercial initial au nom duquel le produit a été acheté pour l'installation. Cette garantie s'applique seulement aux baignoires installées aux États-Unis, au Canada ou au Mexique.

Si un défaut survient et une réclamation valide est reçue, American Standard réparera ou remplacera gratuitement le produit défectueux à son entière discrétion. La décision de réparer ou de remplacer le produit est déterminée par American Standard à son entière discrétion. Une preuve d'achat (coupon de caisse original) doit être fournie à American Standard avec toutes les réclamations de garantie.

Cette garantie d'applique seulement aux baignoires Americast® d'American Standard. Sauf avis contraire, tous les accessoires et les options American Standard sont couverts par la GARANTIE LIMITÉE D'UN AN D'AS AMERICA INC., qui garantit les accessoires et les options contre les défauts dans les matériaux et la main-d'œuvre dans des conditions normales d'usage résidentiel pour une période de UN (1) an suivant la date de l'achat initial.

EXCLUSIONS ET LIMITATIONS

1. Cette garantie ne s'applique pas aux installations résidentielles personnelles. La GARANTIE LIMITÉE À VIE D'AS AMERICA, INC. POUR LES BAINOIRES AMERICAST® POUR UTILISATION RÉSIDENNELLE PERSONNELLE s'applique aux installations résidentielles personnelles.
2. Cette garantie s'applique seulement aux produits **achetés** après le 1er janvier 2017.
3. Cette garantie s'applique seulement aux produits achetés au moyen d'un vendeur ou d'un revendeur autorisé d'AS America, Inc.
4. Cette garantie ne s'applique pas aux défauts ou aux dommages causés par des pièces non authentiques d'American Standard, des erreurs d'installation, un emploi abusif du produit, la mauvaise utilisation du produit, l'entretien inadéquat, l'entretien ou le nettoyage inadéquat, la réparation ou l'installation inadéquate, ou le mouvement ou le transfert de la baignoire à partir de l'endroit où elle a été installée à l'origine (qu'ils soient effectués par vous, un plombier, un entrepreneur ou une entreprise de service). Puisque l'entretien et le nettoyage inadéquats peuvent endommager la baignoire de manière importante, on recommande fortement que vous suiviez les instructions d'entretien et de nettoyage (ainsi que les autres instructions) qui accompagnent la baignoire.
5. American Standard n'est pas responsable des frais de main-d'œuvre ou de dommages survenus pendant l'installation, la réparation ou le remplacement.
6. American Standard ne garantit pas que ce produit ou son installation sont conformes aux exigences des codes locaux. American Standard recommande que vous consultiez un entrepreneur en plomberie au sujet des exigences des codes locaux.

DANS LA MESURE PERMISE PAR LA LOI, CETTE GARANTIE EST EXCLUSIVE ET REMPLACE TOUTES LES GARANTIES, ORALES OU ÉCRITES, LÉGALES, EXPRESSES OU IMPLIQUÉES. AMERICAN STANDARD EXCLUT PAR LA PRÉSENTE LES DOMMAGES SPÉCIAUX, INCIDENTELS ET CONSÉQUENTIELS POUR TOUTE VIOLATION DE TOUTE GARANTIE EXPRESSE OU IMPLIQUÉE QUI S'APPLIQUE À CE PRODUIT.

Certains États ne permettent pas l'exclusion ou la limitation de dommages indirects ou consécutifs; ces limitations ci-dessus peuvent donc ne pas s'appliquer à vous. Cette garantie vous confère des droits légaux particuliers, et vous pourriez jouir d'autres droits selon votre État (ou votre province, le cas échéant).

BÉNÉFICIER D'UN SERVICE DE GARANTIE

Si vous croyez avoir une réclamation de garantie, communiquez avec American Standard, au moyen d'un vendeur ou d'un revendeur autorisé d'AS America, Inc., ou en écrivant à :

Aux États-Unis :

AMERICAN STANDARD BRANDS
One Centennial Avenue
Piscataway, NJ 08855

À l'attention de : Directeur ou
directrice de la consommation

Pour de plus amples renseignements ou
pour obtenir le nom et l'adresse du service
et de l'installation de réparation près de
vous, veuillez appeler au 800-442-1902.
www.americanstandard.com

Au Canada :

AS CANADA ULC
5900 Avebury Road
Mississauga (Ontario)
Canada L5R 3M3

Pour de plus amples renseignements
ou pour obtenir le nom et l'adresse
du service et de l'installation de
réparation près de vous, veuillez
appeler au 800-387-0369.
www.americanstandard.ca

Au Mexique :

AMERICAN STANDARD B&K MEXICO
S. de R.L. de C.V.
Via Morelos #330
Col. Santa Clara
Ecatepec 55540 Edo. Mexico

Pour de plus amples renseignements ou
pour obtenir le nom et l'adresse du service
et de l'installation de réparation près de vous,
veuillez appeler au 01-800-839-1200.
www.americanstandard.com.mx

Veuillez vous assurer de fournir tous les renseignements pertinents pour votre réclamation, notamment une description complète du problème, le produit, le numéro du modèle, la couleur, le fini, la date d'achat, et où le produit a été acheté.