

## AXOR Universal Accessories

### Shelf 150

Surfaces: **Chrome** Article Number: **42840000**



### Description

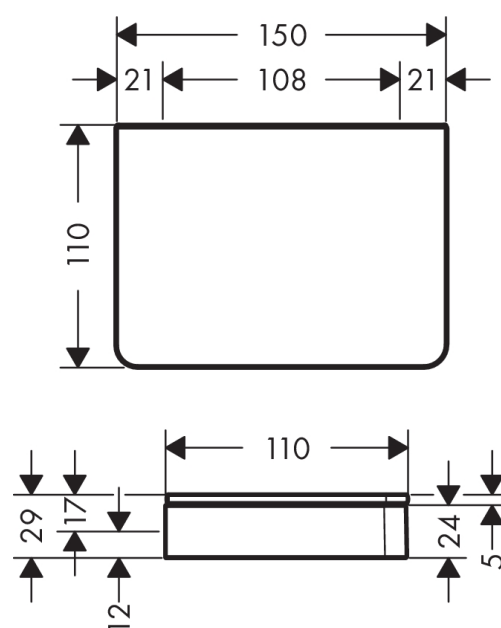
#### product features

- drilling distance 108 mm
- material: glass, metal
- wall-mounted
- adapter set no.42870000 must be used when installing on a rail
- combinable with roll holder no.42836000 (adapter no.42870000 necessary)
- length 150 mm
- suitable for shower

### Product image



### Scale drawing



## AXOR Universal Accessories

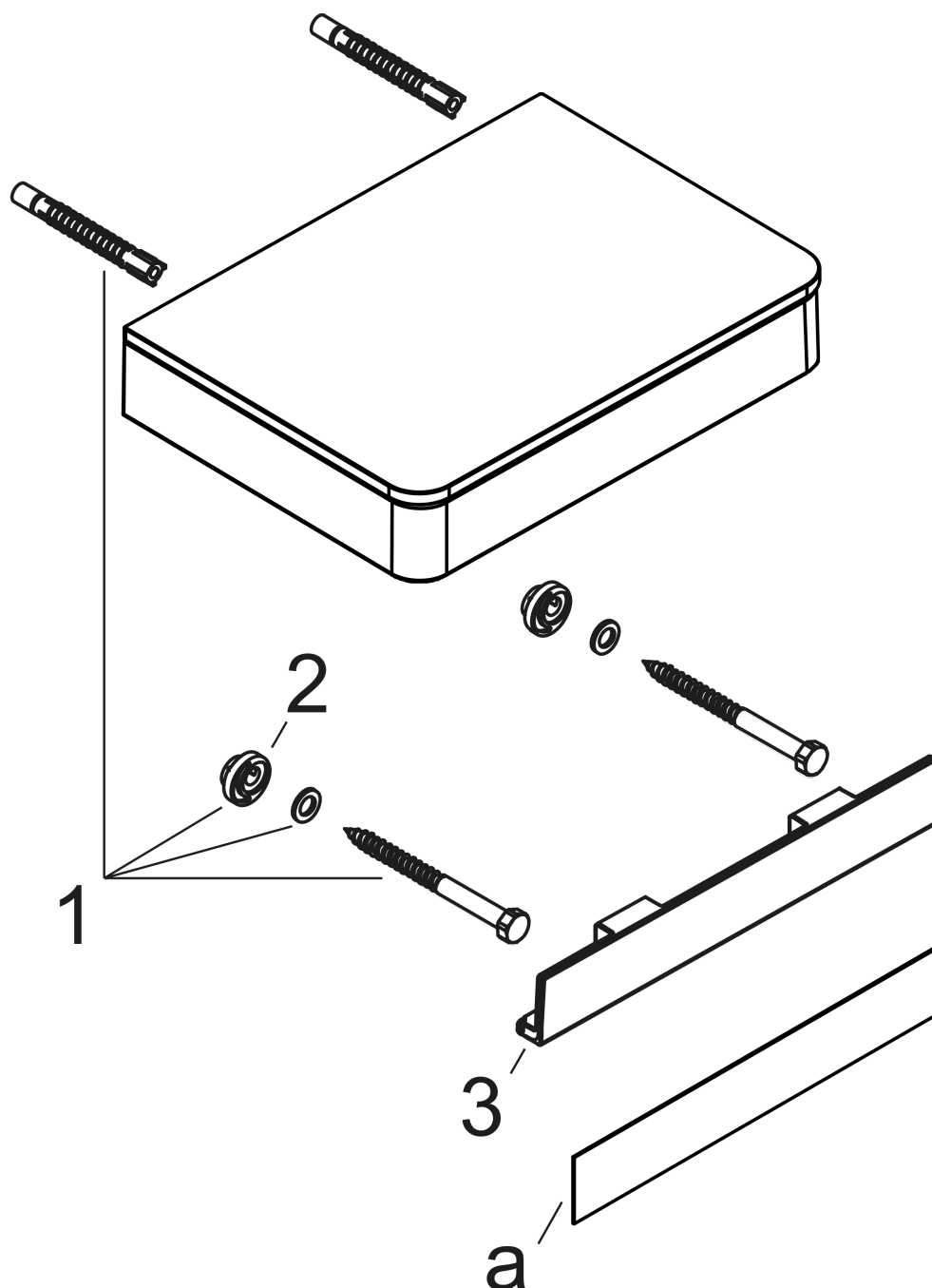
### Shelf 150

Surfaces: **Chrome** Article Number: **42840000**



## Exploded Drawing

Year of production: >06/17



## AXOR Universal Accessories

### Shelf 150

Surfaces: **Chrome** Article Number: **42840000**



### Spare part list

Year of production: >06/17

| Pos. | Description      | Article Number | PC | PU |
|------|------------------|----------------|----|----|
| 1    | mounting set     | 92841000       | 0  | 1  |
| 2    | excentric socket | 97604000       | 0  | 1  |
| 3    | cover            | 92427000       | 0  | 1  |