

AXOR Universal Accessories

Shelf 150

Surfaces: **Brushed Nickel** Article Number: **42840820**



Description

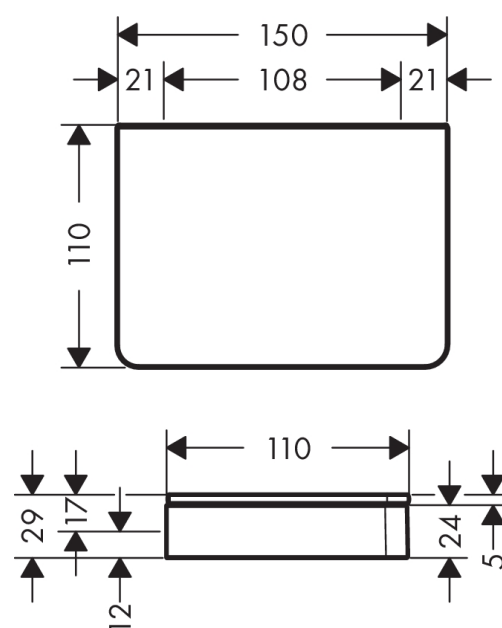
product features

- drilling distance 108 mm
- material: glass, metal
- wall-mounted
- adapter set no.42870000 must be used when installing on a rail
- combinable with roll holder no.42836000 (adapter no.42870000 necessary)
- length 150 mm
- suitable for shower

Product image



Scale drawing



AXOR Universal Accessories

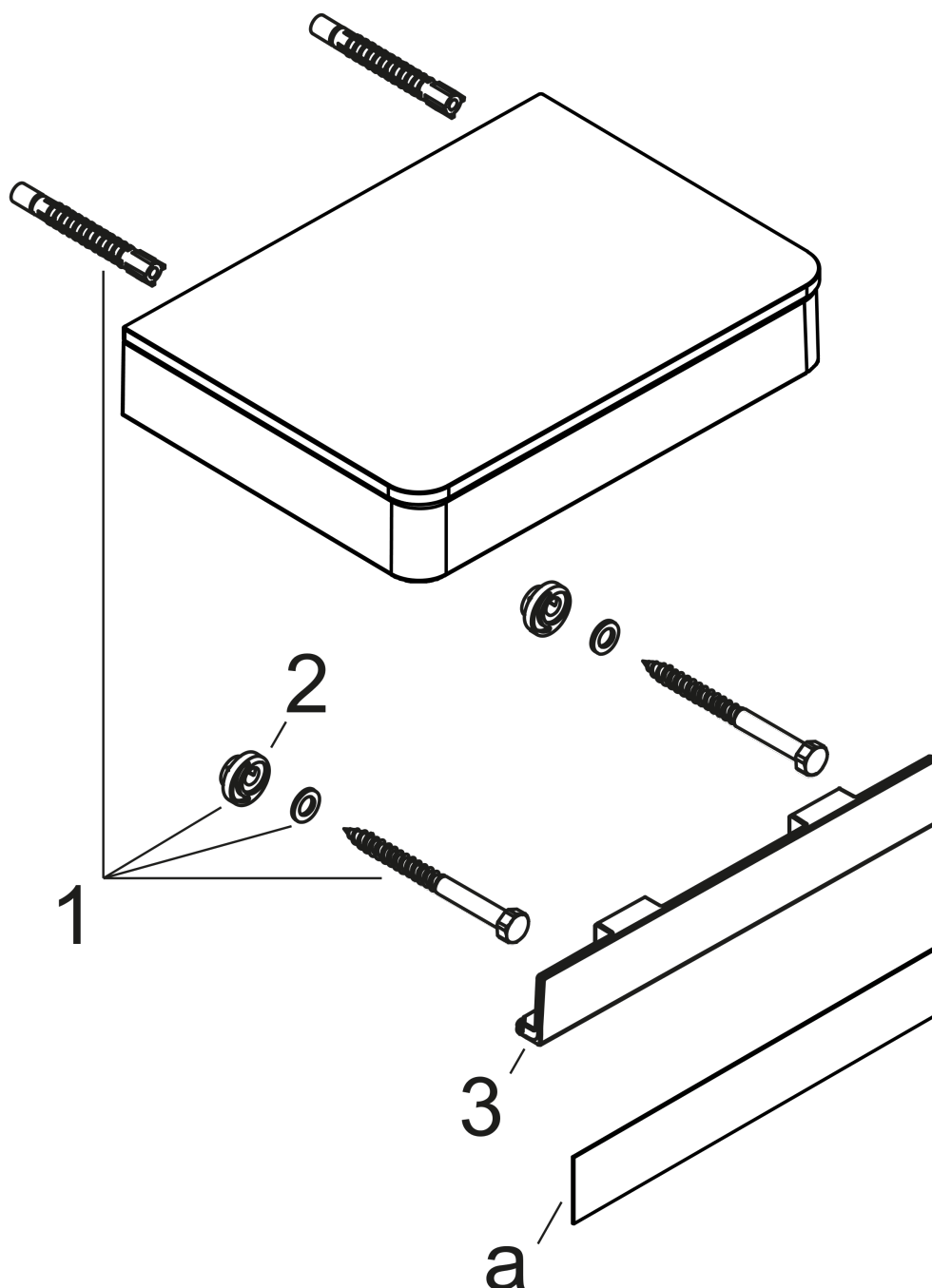
Shelf 150

Surfaces: **Brushed Nickel** Article Number: **42840820**



Exploded Drawing

Year of production: >06/17



AXOR Universal Accessories

Shelf 150

Surfaces: **Brushed Nickel** Article Number: **42840820**



Spare part list

Year of production: >06/17

Pos.	Description	Article Number	PC	PU
1	mounting set	92841000	0	1
2	excentric socket	97604000	0	1
3	cover	92427820	0	1