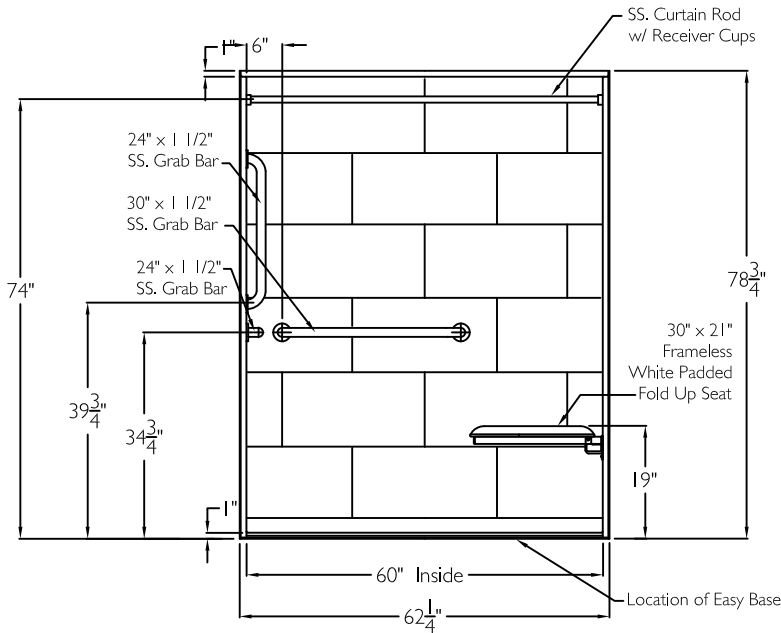
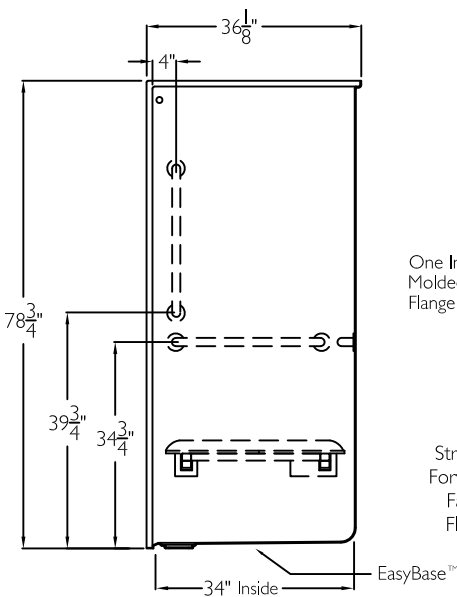


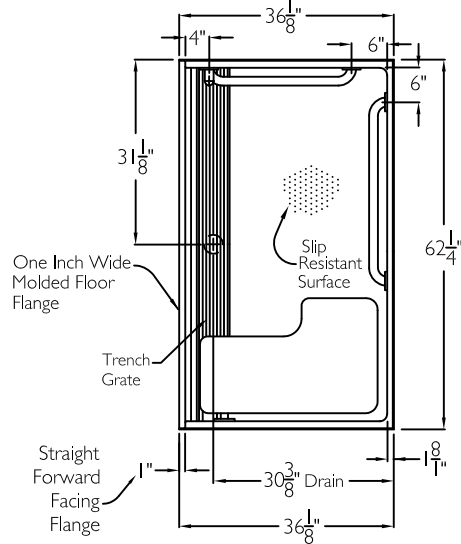
FRONT VIEW



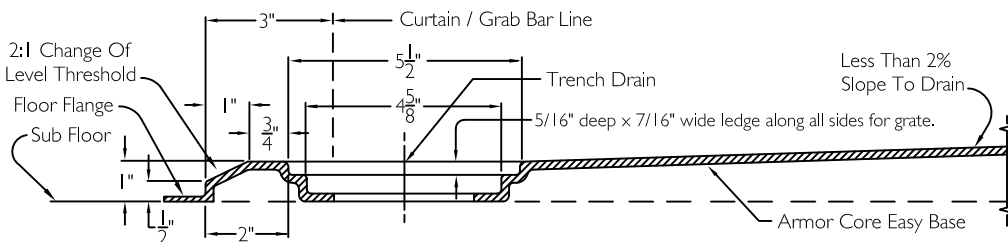
SIDE VIEW



TOP VIEW



CROSS SECTION OF SHOWER BASE



XST 6034 TR COL RH

SUBMITTAL

This shower enclosure shall be model XST 6034 TR COL right. Finished surface shall be of a sanitary grade AcryX™ applied acrylic.

Unit construction shall be of a molded reinforced fiberglass with a 15% minimum fiberglass content.

The unit shall have outside dimensions of 62 1/4" x 36 1/8" x 78 3/4", and inside dimensions of 60" wide x 30" deep x 76 5/8" high with a 1.0" change of level threshold. The base shall be attached to the sump in such a manner to form an integral part with an inner and outer coating of reinforced polyester resin. The unit shall meet IAPMOZ124, CSA B45.5, HUD-UM73, Home Innovation Research Lab, ADA, ICC/ANSI A117.1, TAS and California CBC Title 24.

NOTE: This model shall be an ABGshipnow.com program unit.

HANDED BY THE SEAT

The enclosure shall be equipped with the following accessories: 1) One 30" x 1 1/2" diameter stainless steel horizontal grab bar on the back wall, 2) One 24" x 1 1/2" diameter stainless steel horizontal grab bar opposite the seat, 3) One 24" x 1 1/2" diameter stainless steel vertical grab bar opposite the seat, both with 1 1/2" statute clearance mounted with stainless steel bolts, and secured from the rear with 3" x 3" x 11 gauge metal mounting plates, 4) 30" x 21" frameless white padded fold up seat, 5) One inch diameter, 18 gauge stainless steel curtain rod with receiver cups, 6) Subway tile pattern, 7) Armor Core Easy Base, 8) 1.0" change of level threshold.

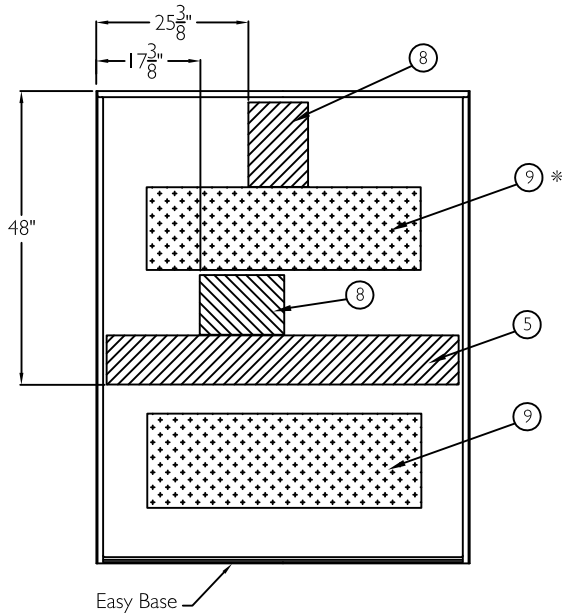
THIS UNIT FEATURES THE OUTSIDE DIMENSION OF 62 1/4" OF OVERALL WIDTH. THIS DOES NOT ALLOW FOR FULL ENCLOSURE OF THE BOLTS AND NUTS USED TO SECURE THE BARS AND SEAT IN PLACE. THE BOLT AND NUT COMBINATION SHOULD NOT PROTRUDE MORE THAN 3/4" ON EITHER SIDE OF THE SHOWER WALLS. THIS MAY REQUIRE THE NEED TO NOTCH STUDS TO ALLOW BOLT CLEARANCE FOR A DRYWALL ENCLOSED FIRE WALL INSTALLATION. ADJUSTMENT OF THE WALL BOARD MAY BE NECESSARY TO PROVIDE CLEARANCE OF THE BOLT(S) WHILE MAINTAINING THE INTEGRITY OF THE DRYWALL ENCLOSED FIRE WALL ENCLOSURE.

Job Name	Approved By Print Name	Date	XST 6034 TR COL RH	
Project No	Approved By Signature		Model No. XST 6034 TR COL RH	
	Architect		Drawing No. XST 6034 TR COL 1.0 HBW HSW VSW FPD CR Easy Base RH	
	Engineer		Date Issued. 2-7-18	Drawing Rev. 2-5-19
	Rep		Material. AcryX™ applied acrylic	
	Wholesaler		Color.	
	Comments		Dimensions are in inches. Due to the nature of the materials dimensions may vary ± 1/2"	

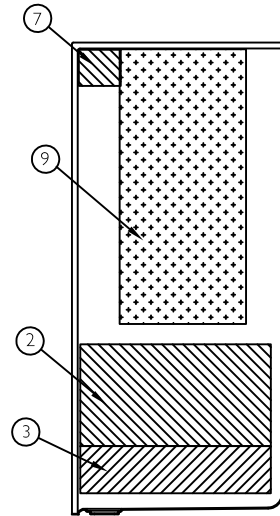
# XST 6034 TR COL RH BACKING PLACEMENT

Model XST 6034 TR COL RH

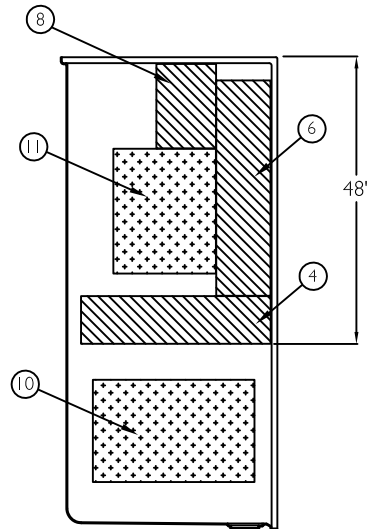
FRONT VIEW



SEAT SIDE VIEW



SIDE VIEW



\* MODIFY AS REQUIRED FOR FIT

ITEM NO.	PART NUMBER	QTY.
1	6034 BF	1
2	32" x 17" x .125 (4848CORE-125)	1
3	32" x 25" x .250 (4848CORE-25)	1
4	32" x 9" x .250 (4848CORE-25)	1
5	42" x 9" x .250 (4848CORE-25)	1
6	7" x 36" x .250 (4848CORE-25)	1
7	6" x 7" x .250 (4848CORE-25)	1
8	10" x 14" x .250 (4848CORE-25)	3
9	21" x 46" (5174DCORR))	2
10	23" x 27" (Cut From 5174DCORR)	1
11	21" x 31" (Cut From 5174DCORR)	1

APPLICATION:	THICKNESS:
APPLIED ACRYLIC	18.5 MIL
1ST LAMINATION	60 MIL
CORRUGATED	25 MIL
ARMORCORE	75 MIL
2ND LAMINATION	50 MIL

ALL REINFORCED AREAS TO BE ENCAPSULATED BY SECOND LAMINATION.  
OVERALL LAMINATION THICKNESS TOLERANCE: -0/+80 MILS.

Job Name	Approved By Print Name	Date	XST 6034 TR COL RH	
Project No	Approved By Signature		Model No. XST 6034 TR COL RH	
	Architect		Drawing No. XST 6034 TR COL 1.0 HBW HSW VSW FPD CR Easy Base RH-BP	
	Engineer		Date Issued. 2-7-18	Drawing Rev. 2-5-19
	Rep		Material. AcrylX™ applied acrylic	
	Wholesaler		Color.	
	Comments		Dimensions are in inches. Due to the nature of the materials dimensions may vary ± 1/2"	