

EVOSTA

ELECTRONIC CIRCULATOR FOR HEATING SYSTEMS





TECHNICAL DATA

Operating range: 0.8 - 13.2 gpm with head up to 18 ft.
Pumped liquid temperature range: from +36 °F (2°C) to +203 °F (95°C).
Working pressure: 145 psi 10 bar (1000 kPa).
Protection class: IP 44.
Insulation class: F.
Installation: with horizontal motor axis.
Standard power input: single-phase 1 x 110-127 V~ 60 Hz.
Pumped liquid: Clean, free of solids and mineral oils, non-viscous, chemically neutral, with properties similar to water (glycol max 30%).

APPLICATIONS

Low energy consumption electronic pump for hot water circulation in all types of domestic heating systems.

ADVANTAGES

Thanks to the advanced technology employed, the **permanent magnet synchronous motor**, and the **frequency converter**, the new range of **EVOSTA** circulators ensures high efficiency in all applications, with significant benefits in terms of energy saving. The circulator has a built-in electronic device that detects the changes demanded by the system, and automatically adapts the circulator performance accordingly, always ensuring optimum efficiency and minimum energy consumption. The **EVOSTA** circulator is also suitable for replacing old three-speed circulators, both as far as size, as it has the same dimensions of the VA series, and for its capability of covering pumps with heads of up to 18 feet with one single model. It can also simplify the work of the user, thanks to a single sequential setting button and a breather plug used to degas the system and unlock the motor shaft if required.

The EVOSTA circulator can operate in 3 different modes:

- proportional differential pressure



3 curves

- constant differential pressure



3 curves

- Fixed curve



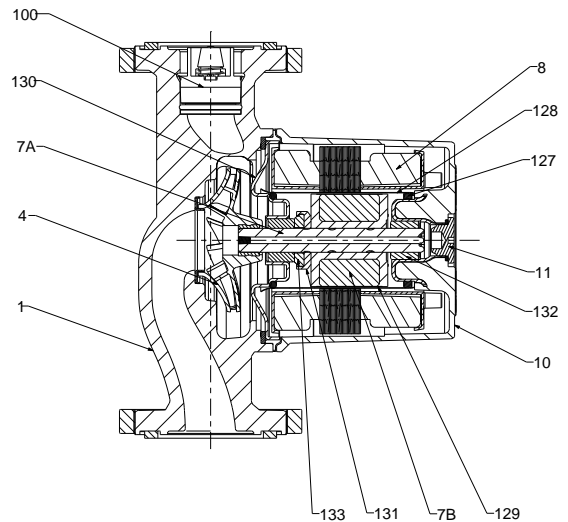
3 curves

CONSTRUCTION FEATURES

Cast iron pump body and wet rotor motor. Die-cast aluminium motor casing. Technopolymer impeller. Ceramic motor shaft on graphite bushings lubricated by the pumped liquid. Stainless steel rotor liner, stator liner and closing flange. Ceramic thrust ring. EPDM seal ring and brass air breather plug. Thanks to the internal protection of the motor, the pump does not require overload protection.

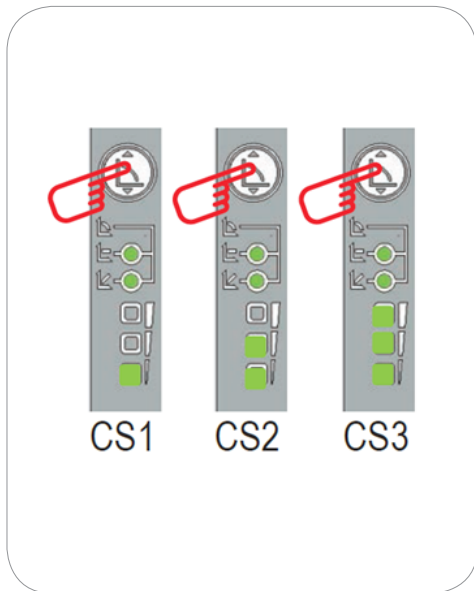
MATERIALS

N.	PARTS	MATERIALS
1	PUMP BODY	CAST IRON
4	IMPELLER	TECHNOPOLYMER ULTEM
7A	MOTOR SHAFT	CERAMIC
7B	ROTOR	MAGNET
8	STATOR	-
10	MOTOR CASING	DIE-CAST ALUMINIUM
11	BREATHER PLUG	BRASS
100	CHECK VALVE	TECHNOPOLYMER PPE
127	SEAL RING	EPDM
128	STATOR LINER	STAINLESS STEEL
129	ROTOR LINER	STAINLESS STEEL
130	CLOSING FLANGE	STAINLESS STEEL
131	THRUST RING SUPPORT	EPDM
132	BUSHINGS	GRAPHITE
133	THRUST RING	CERAMIC

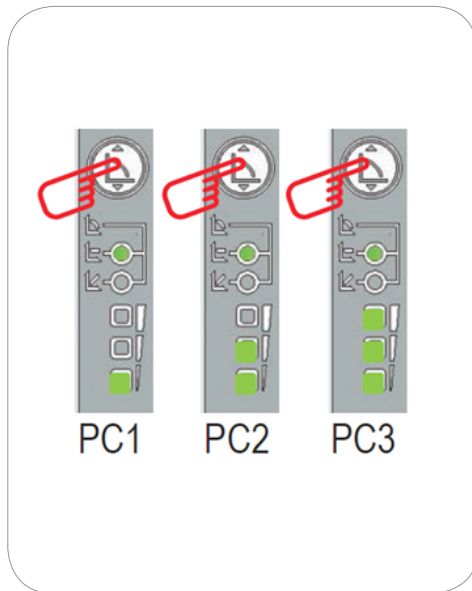


OPERATING MODES

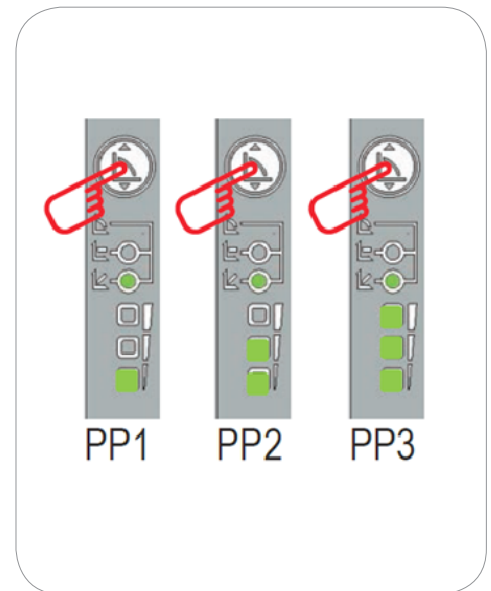
CONSTANT SPEED OPERATION



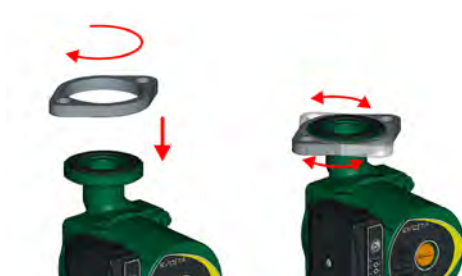
CONSTANT PRESSURE OPERATION



PROPORTIONAL PRESSURE OPERATION



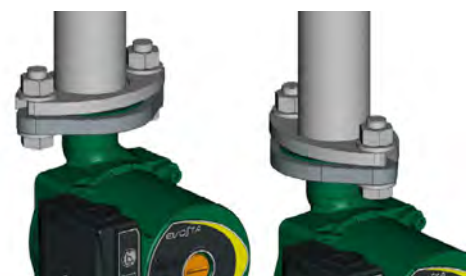
2 BOLT FLANGE



CHECK VALVE

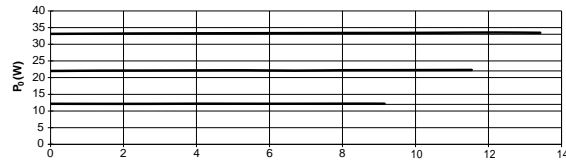
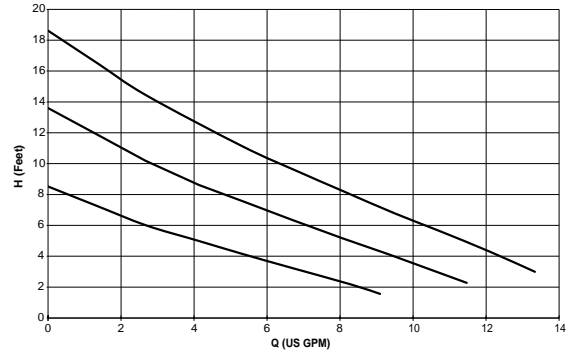
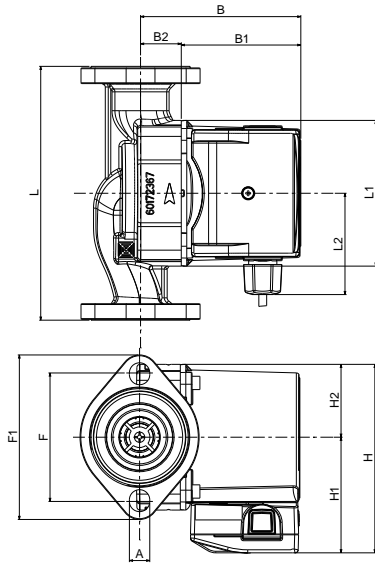


360° Rotation around a vertical access

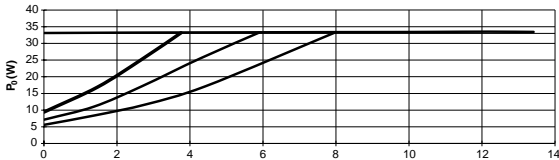
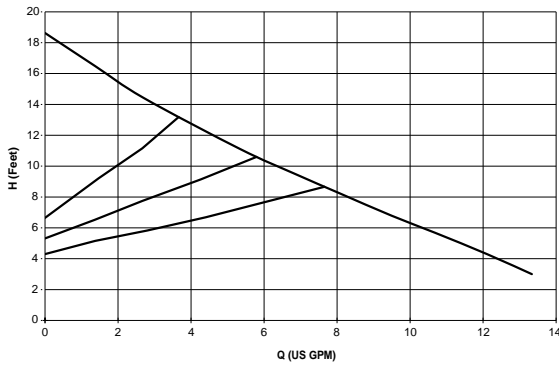


EVOSTA - ELECTRONIC CIRCULATORS FOR DOMESTIC HEATING SYSTEMS - SINGLE, WITH UNIONS

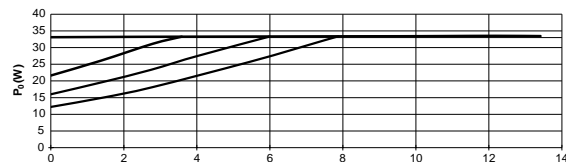
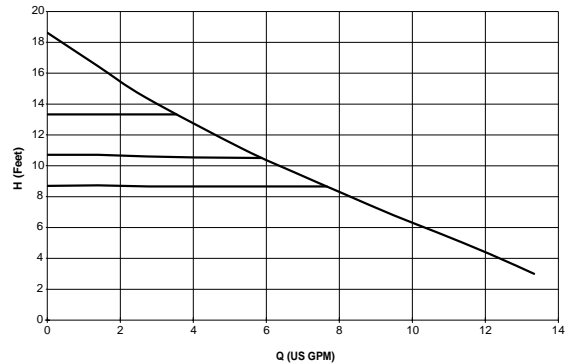
Pumped liquid temperature range: from +36 °F to +203 °F - Maximum operating pressure: 145 psi 10 bar (1000 kPa)



CONSTANT SPEED



PROPORTIONAL PRESSURE



CONSTANT PRESSURE

The performance curves are based on kinematic viscosity values = 1 mm²/s and density equal to 1000 kg/m³. Curve tolerance according to ISO 9906.

MODEL	Q=gpm	0	2	4	6	8	10	12
EVOSTA 110-127v	H (ft)	18.4	15.5	12.8	10.3	8.2	6.2	4.3

MODEL	CENTRE DISTANCE mm	FLANGE	POWER INPUT 60 Hz	P1 MAX W	In A	EEI *	MINIMUM SUCTION PRESSURE	
							t°	194 °F
EVOSTA 110-127v	6 3/8"	OVAL 2 BOLT	1 x 110-127 V ~	12 34	0.19 0.50	EEI ≤ 0,23	ft.c.w.	32.8

MODEL	L	L1	L2	B	B1	B2	H	H1	H2	A	F	F1	PACKING DIMENSIONS			VOLUME ft ³	WEIGHT lbs
													L	B	H		
EVOSTA 110-127v	6 3/8"	3 2/3"	2 1/3"	4"	3"	1 1/32"	4 3/4"	2 7/8"	2"	1/2"	3 7/64" 3 15/64"	4 9/64"	5 1/8"	7 1/2"	5 29/32"	0.095	5.29



DNA[®]

PUMPS SELECTOR



On-line selection tool



DAB PUMPS LTD.

Unit 4 and 5, Stortford Hall Industrial Park,
Dunmow Road,
Bishops Stortford,
Herts
CM23 5GZ - UK
salesuk@dwtgroup.com
Tel. +44 1279 652 776
Fax +44 1279 657 727



DAB PUMPS IBERICA S.L.

Avenida de Castilla nr.1 Local 14
28830 - San Fernando De Henares - Madrid
Spain
info.spain@dwtgroup.com
Tel. +34 91 6569545
Fax: +34 91 6569676



DAB PUMPS INC.

3226 Benchmark Drive
Ladson, SC 29456 - USA
info.usa@dwtgroup.com
Tel. 1-843-797-5002
Fax 1-843-797-3366



DAB PUMPS B.V.

Brusselstraat 150
B-1702 Groot-Bijgaarden - Belgium
info.belgium@dwtgroup.com
Tel. +32 2 4668353
Fax +32 2 4669218



DAB PRODUCTION HUNGARY KFT.

H-8800
Nagykanizsa, Buda Ernő u.5
Hungary
Tel. +36 93501700



DWT SOUTH AFRICA

Podium at Menlyn,
3rd Floor, Unit 3001b, 43 Ingersol Road,
C/O Lois and Atterbury street,
Menlyn, Pretoria, 0181 - South-Africa
info.sa@dwtgroup.com
Tel. +27 12 361 3997
Fax +27 12 361 3137



DAB PUMPS POLAND Sp. z o.o.

Mokotow Marynarska
ul. Postępu 15C
02-676 Warszawa - Poland
Tel. +48 223 81 6085



DAB PUMPS B.V.

Albert Einsteinweg, 4
5151 DL Drunen - Nederland
info.netherlands@dwtgroup.com
Tel. +31 416 387280
Fax +31 416 387299



DAB PUMPS CHINA

No.40 Kaituo Road, Qingdao Economic & Technological
Development Zone
Qingdao City, Shandong Province - China
PC: 266500
info.china@dwtgroup.com
Tel. +8653286812030-6270
Fax +8653286812210



DAB UKRAINE Representative Office

Regus Horizon Park
4 M. Hrinchenka St, suit 147
03680 Kiev - Ukraine
Tel. +38 044 391 59 43



DAB PUMPEN DEUTSCHLAND GmbH

Tackweg 11
D - 47918 Tönisvorst - Germany
info.germany@dwtgroup.com
Tel. +49 2151 82136-0
Fax +49 2151 82136-36



OOO DAB PUMPS

Novgorodskaya str. 1, block G
office 308, 127247, Moscow - Russia
info.russia@dwtgroup.com
Tel. +7 495 122 0035
Fax +7 495 122 0036



DAB PUMPS DE MÉXICO, S.A. DE C.V.

Av. Gral Álvaro Obregón 270, oficina 355
Hipódromo, Cuauhtémoc 06100
México, D.F.
Tel. +52 55 6719 0493