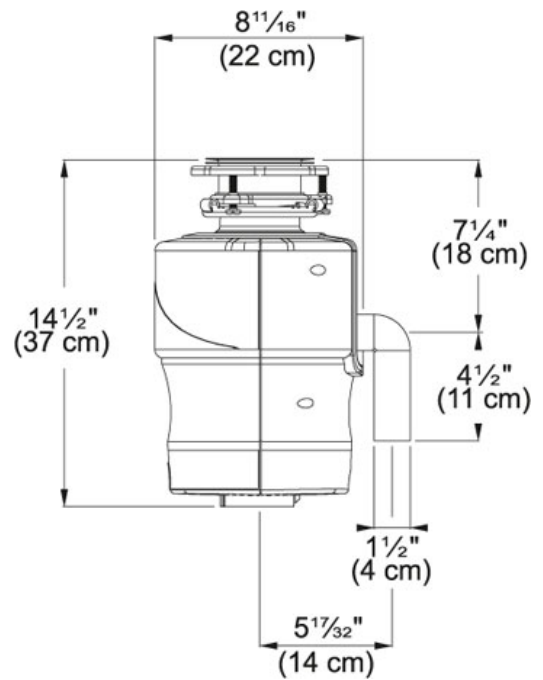


# SPECIFICATION SHEET

PRODUCT FAMILY: Waste Management FINISH: other SERIES: WASTE DISPOSERS MODEL: FWD75R



## Product Information

<b>FUN#</b>	134.0297.203
<b>US Part Number</b>	FWD75R
<b>RPM</b>	2700
<b>Horse Power</b>	3/4 HP
<b>*</b>	Continuous Feed models may require Air Switch WD3428 and Controller WD9088. Chrome stopper and flange standard on each disposer not available separately. WD8026SN and WD8027C not compatible with this model.