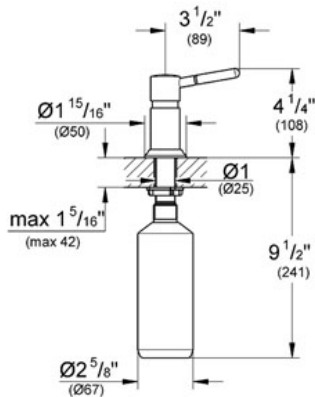


DELUXE XL  
Soap Dispenser  
MODEL # 28751

*Pure Freude an Wasser*



GROHE America, Inc | 200 North Gary Avenue, Suite G, Roselle, IL 60172  
Phone: +1 (800) 444-7643 | Fax: +1 (800) 225-2778 | us-customerservice@grohe.com



**Product Description:**  
Soap Dispenser

**Standard Specification:**

- GROHE StarLight® finish
- Capacity 15 oz.
- One Piece Cartridge Pump Unit
- Brass Head and Flange

**Applicable Codes & Standards:**

- Energy Policy Act of 1992
- ASME A112.18.1/CSA B125.1

**Color:**

- 28751 001 chrome
- 28751 SD1 Stainless Steel