

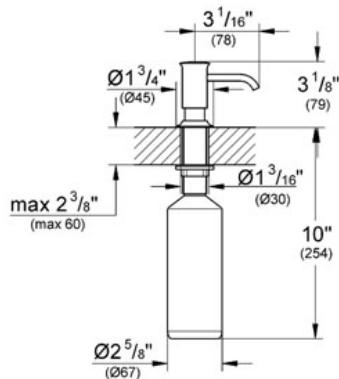
# Authentic Soap Dispenser

MODEL # 40537

*Pure Freude an Wasser*



GROHE America, Inc | 200 North Gary Avenue, Suite G, Roselle, IL 60172  
Phone: +1 (800) 444-7643 | Fax: +1 (800) 225-2778 | us-customerservice@grohe.com



## Product Description: Authentic Soap Dispenser

### Standard Specification:

- GROHE Starlight® finish
- For liquid soaps
- Storage bin 0.1g

### Applicable Codes & Standards:

- Energy Policy Act of 1992
- ASME A112.18.1/CSA B125.1

### Color:

- 40537 000 chrome
- 40537 EN0 Brushed Nickel
- 40537 ZB0 Oil Rubbed Bronze