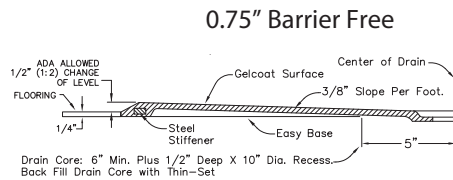
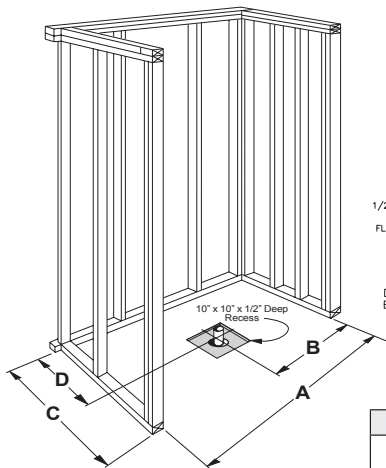
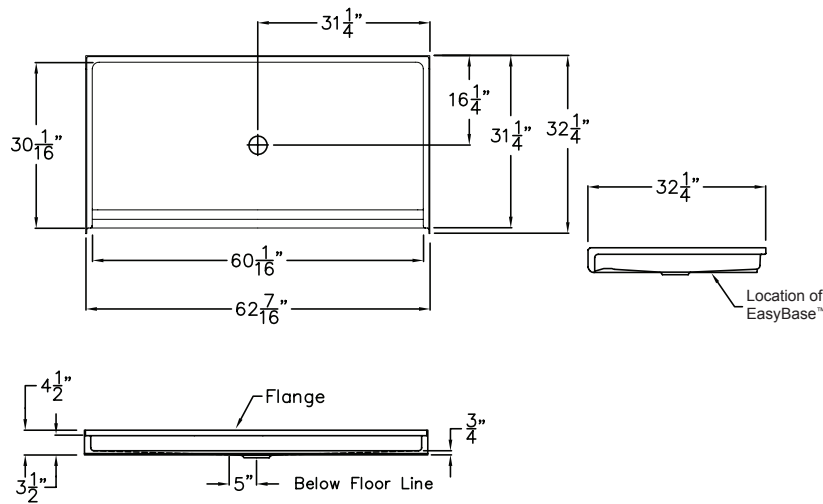
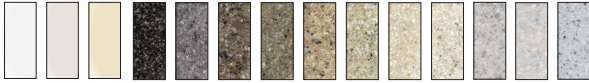


SAFE. ACCESSIBLE.  
BATHING SOLUTIONS.

**UPGRADE** to solid surface



A	B	C	D
62.75"	31.375"	32.25"	16.25"

Due to the nature of the materials, dimensions may vary +/- 0.5".

**MyPlace™ AcrylX™** shower bases

**MPB 6232 BF COL**

OUTER DIMENSION	62.4375" x 32.25" x 4.5"
THRESHOLD	0.75" COL*
DRAIN	Center
HANDED	Drain
SHIPPING WEIGHT	62
LOAD FACTOR	0.27
TRUCK LOAD FACTOR	0.27



ADA Compliant



Barrier Free Threshold



Solid Surface Finish



AcrylX™ Finish

NOTES

\*COL Change of level threshold has a manageable 0.25" vertical rise to easily coordinate with minimum finished flooring.

CODES code compliant with ADA, ICC ANSI 117.1, MAS and TAS only.

EasyBase™ Self-supporting and pre-levelled shower base, EasyBase™, is standard on all barrier free shower bases. EasyBase™ is not offered on EasyStep™ models.

RAPID SHIP All shower bases are in stock for rapid shipment - ships in four business days.

WARRANTY All shower bases are offered with an unprecedented lifetime limited warranty.



THE PRAXIS COMPANIES | praxiscompanies.com  
customer service 800.443.7269