

**Croma**  
**SAM Set Plus 160, 2.0 GPM**  
 Finishes : **chrome** Part no. : **04526000**



## Description

### Features

- consists of: Overhead shower, Handshower, Handshower hose,
- Flow: 2.0 GPM (7.6 L/Min)
- Exposed installation
- Locking push-button diverts flow to handshower

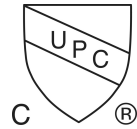
## Item details

List Price \$ 581.00

## Technology



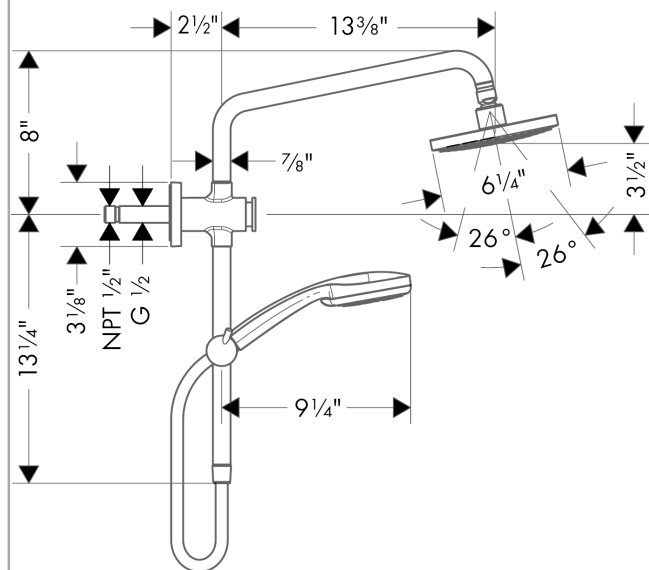
## Compliance



## Product image



## Scale drawing

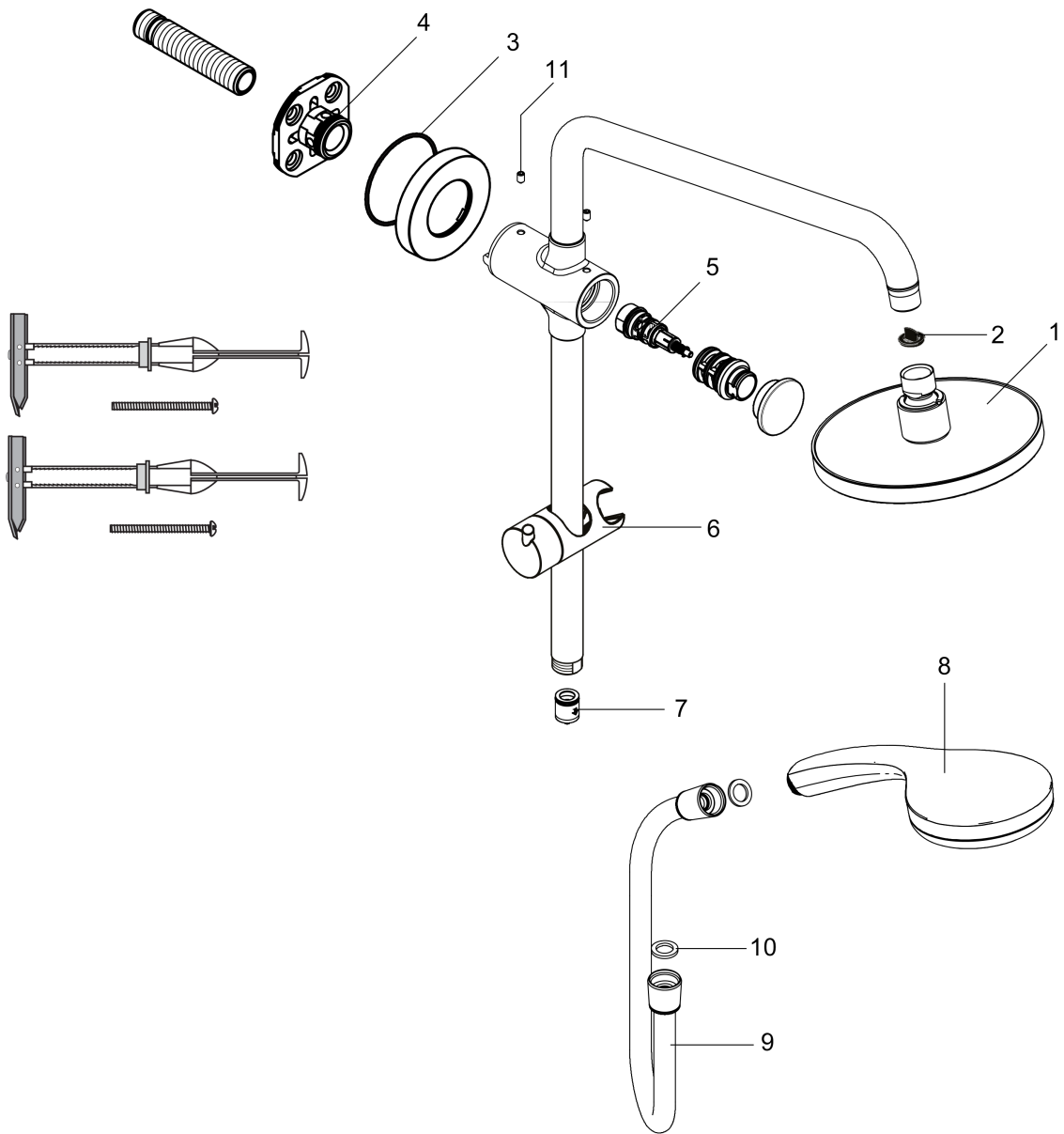


**Croma**  
**SAM Set Plus 160, 2.0 GPM**  
 Finishes : **chrome** Part no. : **04526000**



Exploded drawing

Year of production: >07/14



**Croma**  
**SAM Set Plus 160, 2.0 GPM**  
 Finishes : **chrome** Part no. : **04526000**



## Spare parts list

Year of production: >07/14

| Pos. | Description                    | Part no. | Price | PU |
|------|--------------------------------|----------|-------|----|
| 1    | showerhead cpl.                | 28450001 | -     | 1  |
| 2    | filter packing                 | 88649000 | -     | 1  |
| 3    | O-ring 65x2                    | 98472000 | -     | 1  |
| 4    | O-ring 25x2,5                  | 92146000 | -     | 1  |
| 5    | selector (invers)              | 95657000 | -     | 1  |
| 6    | support, assy                  | 95160000 | -     | 1  |
| 7    | set of non return valves DW 15 | 94074000 | -     | 1  |
| 8    | handshower                     | 04083000 | -     | 1  |
| 9    | shower hose 1,60 m             | 28276003 | -     | 1  |
| 10   | seal                           | 98058000 | -     | 1  |
| 11   | hollow set screw M5x8          | 92851000 | -     | 1  |