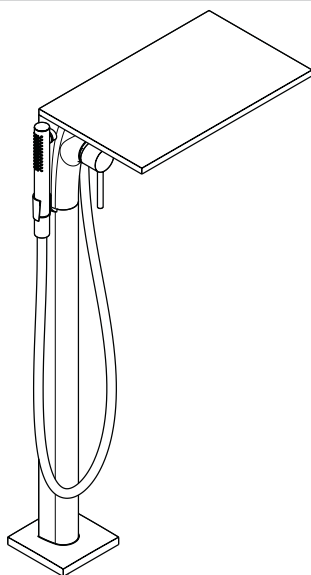


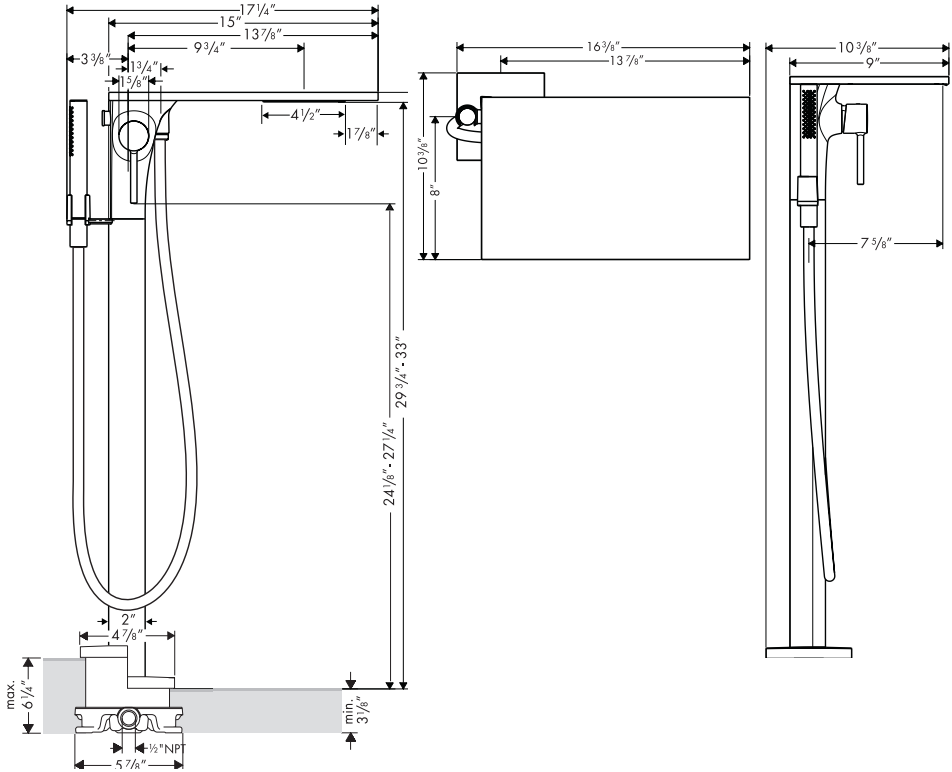
Installation Instructions / Warranty



Massaud
18450001

hangrohe

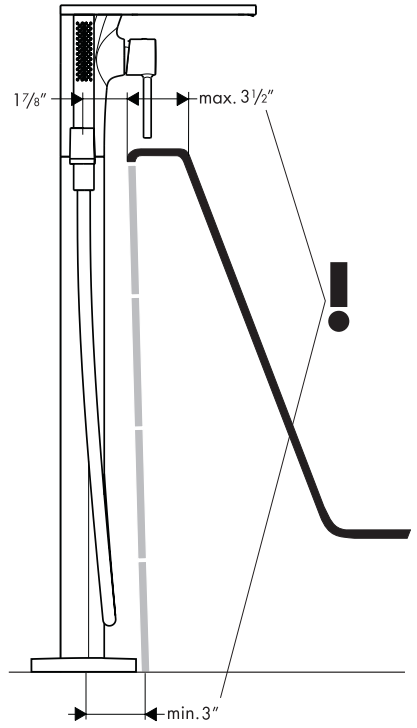
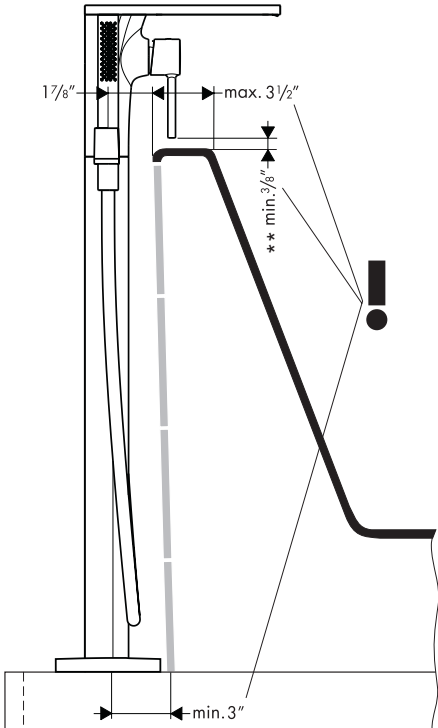
Axor Massaud Free-Standing Tub Filler 18450001



Product Specification

Max. incoming water pressure	145 psi
Recommended water pressure	14.5 - 72 psi
Max. incoming hot water temp.	176°F*
Recommended incoming hot water temp	120°F - 140°F*
Flow rate @ 44 psi	5.8 gpm
Max. flow rate of handshower	2.5 gpm
Requires rough valve 10452181 (not included)	
Protection against back siphonage provided by check valve	

*Know and follow all applicable local plumbing codes when setting the temperature on the water heater. In Massachusetts, the water heater may be set no higher than 112°F.



**There must be at least 3/8" clearance between the top of the tub and the bottom of the handle. If there is less than 3/8" clearance, order extension 97686000 from your dealer.

Installation Considerations

Rough valve 10452181 must be installed. The finished floor surface must be complete and made watertight prior to installation of this tub filler.

This unit is not anti-scald. If required by local plumbing code, install remote pressure balance valve 13418181 (not included) to the hot and cold water supplies before they enter the 10452181 rough valve.

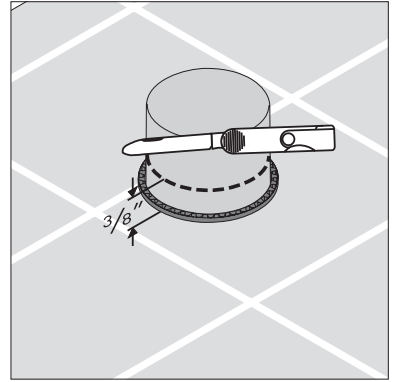
Suggested Tools for Installation (not included)

- Cutting tool
- 8 mm Allen wrench
- Level
- Waterproof sealant

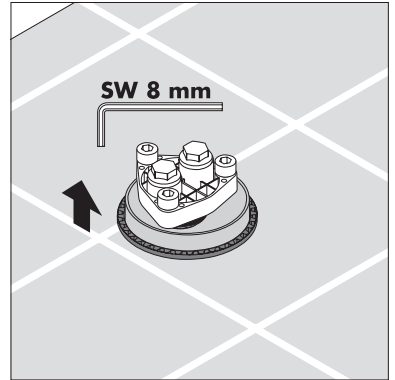
Installation

Turn the water off at the main before beginning.

Cut the plaster shield on the rough valve so that it is $3/8$ " above the surface of the finished floor.

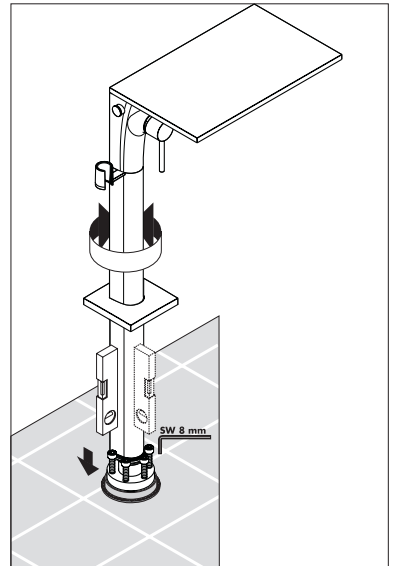


Remove the flush insert. Do not discard the screws.



Position the tub filler over the rough. Turn it so that the spout faces in the correct direction.

Make sure that the unit is plumb. Install the three screws included with the tub filler and the three screws reserved from the flush insert. Tighten the screws with an 8 mm Allen wrench.

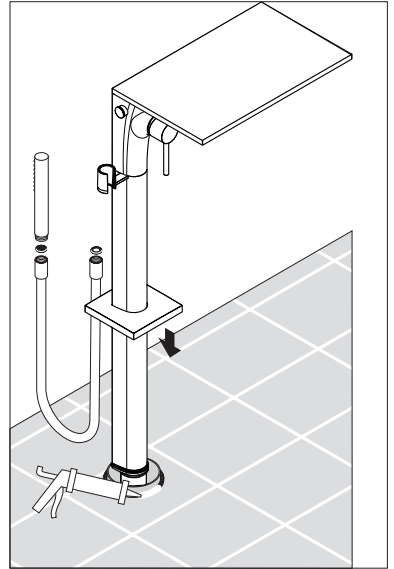


Seal the floor around the tub filler with waterproof sealant.

Lower the escutcheon to the floor.

Place the black rubber hose washer in one end of the hose. Connect this end of the hose to the outlet port on the side of the tub filler. Place the screen washer in the other end of the hose. Connect this end of the hose to the handshower. Place the handshower in the holder.

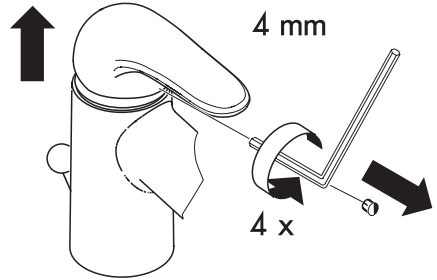
Set the high temperature limit stop, if required by local plumbing code (see page 6).



Re-set the High Temperature Limit Stop (optional)

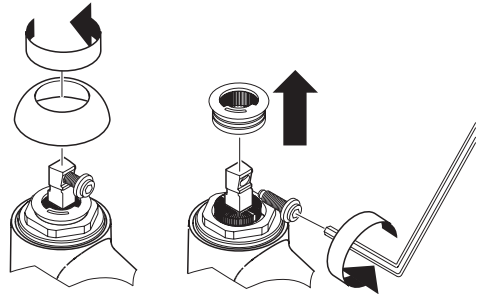
Close the drain OR cover it with a wash cloth. Use the included 4 mm Allen wrench to push the screw cover into the handle. Retrieve the screw cover when the handle is removed.

Use the 4mm Allen wrench to loosen the handle screw 4 complete revolutions. Remove the handle and put it in a safe place.

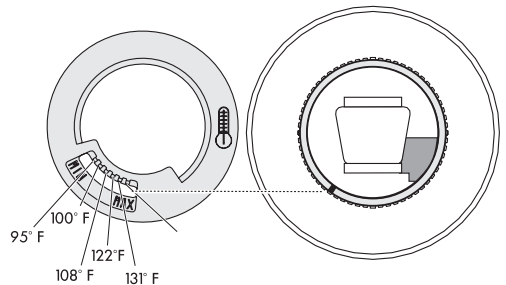


Remove the decorative nut cover and put it in a safe place.

Remove the handle screw from the stem of the cartridge. Remove the high temperature limit stop.



Replace the high temperature limit stop so that the pin on the cartridge is in the desired slot on the limit stop. **Note:** the temperatures given in the diagram assume a water heater temperature of 140° F, a cold water temperature of 50° F and a water pressure of 45 PSI.



Replace the decorative nut cover. Replace the handle screw. Use the Allen wrench to turn the screw 4 revolutions.

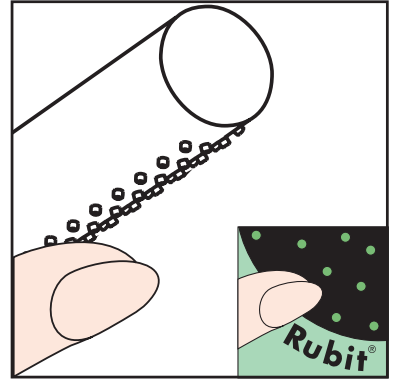
Replace the handle. Finish tightening the handle screw. Turn on the water and test the faucet.

User Instructions

Pivot the lever upwards to turn the water on. Pivot it to the right for cooler water, to the left for warmer water. Pivot the lever downwards to turn the water off.

Pull out on the diverter knob to divert the water to the handshower. When the water is turned off, the diverter will reset to the spout position.

The handshower incorporates the Rubit™ cleaning system. If scale deposits are noticed in the spray channels, rub across the channels with a finger or a sponge to dislodge them.



Troubleshooting

Problem

Possible Cause

Solution

Insufficient water

Screen washer dirty

Remove and clean screen washer

Check valve faulty

Replace check valve

Handle hard to move

Cartridge dirty or faulty

Replace cartridge

Faucet drips

Cartridge dirty or faulty

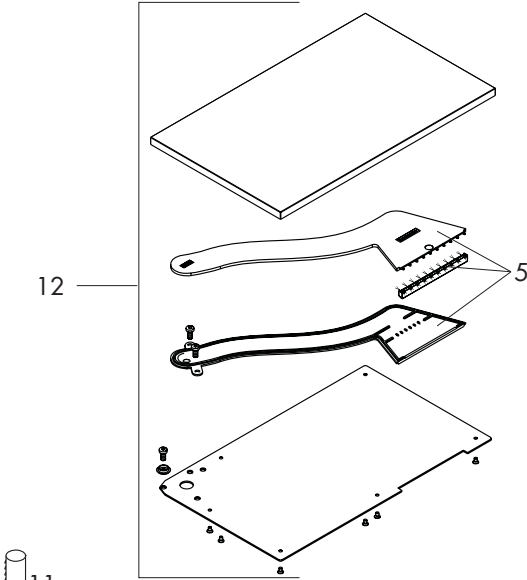
Replace cartridge

Water not hot enough

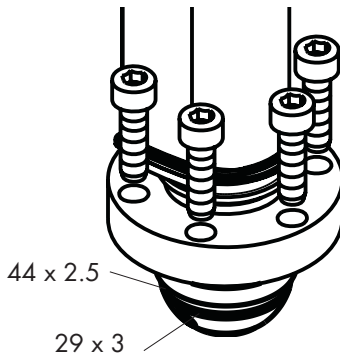
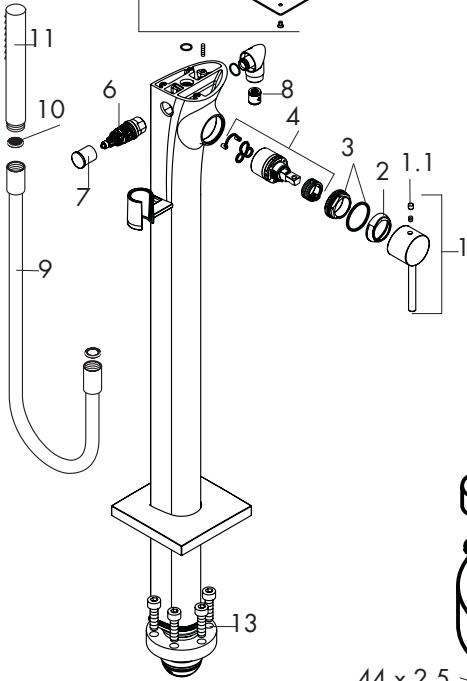
High temperature limit stop set incorrectly

Reset high temperature limit stop

Replacement Parts



- | | | |
|-----|-----------------|----------|
| 1 | handle | 18493000 |
| 1.1 | screw cover | 96762000 |
| 2 | flange | 96763000 |
| 3 | nut | 97209000 |
| 4 | cartridge | 92730000 |
| 5 | spray former | 97447000 |
| 6 | diverter | 94077000 |
| 7 | diverter knob | 98705000 |
| 8 | check valve | 94074000 |
| 9 | hose | 28282000 |
| 10 | screen washer | 94246000 |
| 11 | handshower | 28531001 |
| 12 | spout | 98704000 |
| 13 | set of 3 screws | 97670000 |



Cleaning Recommendation for Hansgrohe Products

Modern sanitary faucets and shower fixtures consist of very different materials to comply with the needs of the market with regard to design and functionality.

To avoid damage and returns, it is necessary to consider certain points when cleaning:

Cleaning materials for faucets and shower products:

Acids are necessary ingredients of cleaning materials for removing lime. However, please pay attention to the following points when cleaning faucets and shower products:

- Use only cleaning materials intended for the application.
- Never use cleaning materials which contain hydrochloric, formic, or phosphoric, or acetic acid, as these can cause considerable damage.
- Do not mix one cleaning material with another.
- Do not use abrasives, such as cleaning powders, sponge pads, or microfiber cloths.

Cleaning Instructions for Faucets and Shower Products:

Please follow the cleaning material manufacturer's instructions. In addition, please note the following:

- Clean your faucets and shower products as and when required.
- Follow the label instructions. Do not allow any cleaner to remain on the product for longer than necessary.
- Regular cleaning will prevent scale buildup and water spotting.
- When using spray cleaners, spray first onto a sponge or cloth. Do not spray directly onto the faucet or shower product as drops could enter openings or gaps and cause damage.
- After cleaning, rinse thoroughly with clear water to remove any cleaner residue.

Important

Residues of liquid soaps, shampoos, and shower foams can also cause damage, so rinse with clean water after using.

Please note:

- If the surface is already damaged, the effect of cleaning materials will cause further damage.
- Components with damaged surfaces must be replaced, otherwise, this could cause injury.
- Damage caused by improper treatment will not be covered by our warranty.

Limited Lifetime Consumer Warranty

This product has been manufactured and tested to the highest quality standards by Hansgrohe, Inc. ("Hansgrohe"). This warranty is limited to Hansgrohe products which are purchased by a consumer in the United States after March 1, 1996, and installed in either the United States or Canada.

WHO IS COVERED BY THE WARRANTY

This warranty extends to the original consumer purchaser only. This warranty is non-transferable.

WHAT IS COVERED BY THE WARRANTY

This warranty covers only your Hansgrohe manufactured product. Hansgrohe warrants this product against defects in material or workmanship as follows: Hansgrohe will repair at no charge for parts only or, at its option, replace any product or part of the product that proves defective because of improper workmanship and/or material, under normal installation, use, service and maintenance. If Hansgrohe is unable to provide a replacement and repair is not practical or cannot be timely made, Hansgrohe may elect to refund the purchase price in exchange for the return of the product.

LENGTH OF WARRANTY

Replacement or repaired parts of products will be covered for the term of this warranty as stated in the following two sentences. If you are a consumer who purchased the product for use primarily for personal, family, or household purposes, this warranty extends for as long as you own the product and the home in which the product is originally installed. If you purchased the product for use primarily for any other purpose, including, without limitation, a commercial purpose, this warranty extends only (i) for 1 year, with respect to Hansgrohe and Commercial products, and (ii) for 5 years, with respect to AXOR products.

THIS WARRANTY DOES NOT COVER, AND HANSGROHE WILL NOT PAY FOR:

- A. Conditions, malfunctions or damage not resulting from defects in material or workmanship.
- B. Conditions, malfunctions or damage resulting from (1) normal wear and tear, improper installation, improper maintenance, misuse, abuse, negligence, accident or alteration, or (2) the use of abrasive or caustic cleaning agents or "no-rinse" cleaning products, or the use of the product in any manner contrary to the product instructions. (3) Conditions in the home such as excessive water pressure or corrosion.
- C. Labor or other expenses for the disconnection, deinstallation, or return of the product for warranty service, or for installation or reinstallation of the product (including but not limited to proper packaging and shipping costs), or for installation or reinstallation of the product.
- D. Accessories, connected materials and products, or related products not manufactured by Hansgrohe.

TO OBTAIN WARRANTY PARTS OR INFORMATION

Contact your Hansgrohe retailer, or contact Technical Service at:

Hansgrohe Inc.
1492 Bluegrass Lakes Parkway
Alpharetta GA 30004
Toll-free (800) 334-0455.

In requesting warranty service, you will need to provide

1. The sales receipt or other evidence of the date and place of purchase.
2. A description of the problem.
3. Delivery of the product or the defective part, postage prepaid and carefully packed and insured, to Hansgrohe Inc. 1492 Bluegrass Lakes Parkway, Alpharetta, Georgia 30004, Attention: Technical Service, if required by Hansgrohe.

When warranty service is completed, any repaired or replacement product or part will be returned to you postage prepaid.

EXCLUSIONS AND LIMITATIONS

REPAIR OR REPLACEMENT (OR, IN LIMITED CIRCUMSTANCES, REFUND OF THE PURCHASE PRICE) AS PROVIDED UNDER THIS WARRANTY IS THE EXCLUSIVE REMEDY OF THE PURCHASER. HANSGROHE NEITHER ASSUMES NOR AUTHORIZES ANY PERSON TO CREATE FOR IT ANY OBLIGATION OR LIABILITY IN CONNECTION WITH THIS PRODUCT.

HANSGROHE SHALL NOT BE LIABLE TO PURCHASER OR ANY PERSON FOR ANY INCIDENTAL, SPECIAL, OR CONSEQUENTIAL DAMAGES, ARISING OUT OF BREACH OF THIS WARRANTY OR ANY IMPLIED WARRANTY (INCLUDING MERCHANTABILITY).

Some States do not allow the exclusion or limitation of incidental or consequential damages, so the above limitation or exclusion may not apply to you. This warranty gives you specific legal rights, and you may have other rights which vary from State to State. You may be required by law to give us a reasonable opportunity to correct or cure any failure to comply before you can bring any action in court against us under the Magnuson-Moss Warranty Act.

PRODUCT INSTRUCTIONS AND QUESTIONS

Upon purchase or prior to installation, please carefully inspect your Hansgrohe product for any damage or visible defect. Prior to installing, always carefully study the enclosed instructions on the proper installation and the care and maintenance of the product. If you have questions at any time about the use, installation, or performance of your Hansgrohe product, or this warranty, please call or write to us or call us toll-free at 800 334 0455.

hansgrohe

Hansgrohe, Inc. • 1490 Bluegrass Lakes Parkway • Alpharetta, GA 30004
Tel. 770 360-9880 • Fax 770 360 9887

www.hansgrohe-USA.com