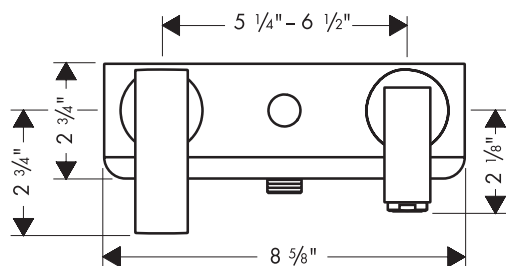
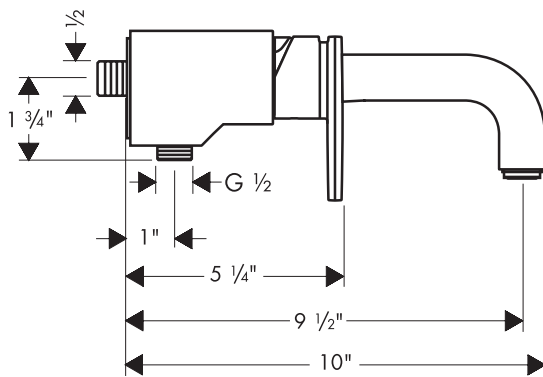


Product Features

- Single control with ceramic cartridge
- Diverter for handshower
- Protection from backflow provided by check valve
- Tub filler flow rate 5.75 gpm @ 44 psi
- 1/2" NPT male inlets

Available Finishes

Chrome	39400001
Brushed Nickel	39400821



Code Compliance

This unit meets or exceeds the following:

- ASME A112.18.1
- CSA B125.1
- Listed by IAPMO

Optional Accessories

Remote pressure balance valve if required by local code	13418181
Column for freestanding installation - black	39985000
Column for freestanding installation - white	39886000
Handshower, hose, holder - many styles available	

The measurements shown are for reference only.

Products and specifications shown are subject to change without notice.

Specification sheet revised 8/2008