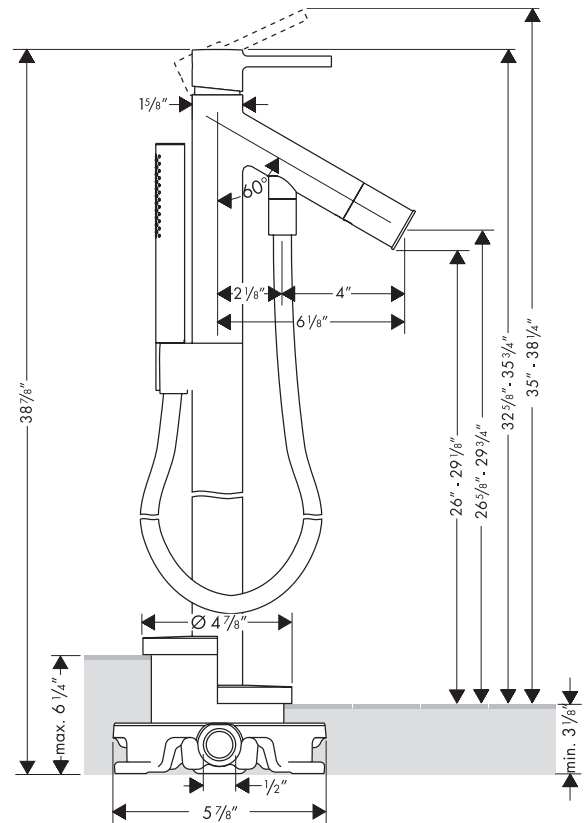
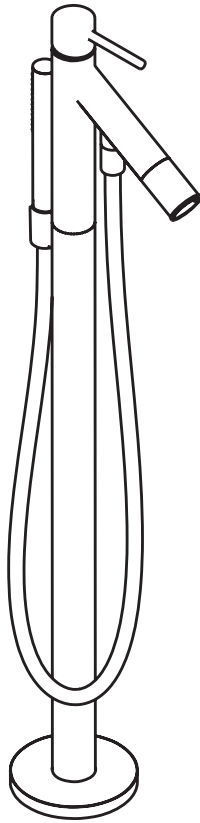


Axor Starck Tub Filler

10456XX1

Available in Chrome (00), Brushed Nickel (82)



Rough valve 10452181 shown for illustration purposes only. The rough valve is sold separately.

Product Specification

Mounts on floor beside tub

M2 ceramic valve cartridge

Diverter for handshower built into spout

Max. flow rate 5.8 gpm

Starck handshower

flow rate 2.5 gpm

normal spray mode

49" handshower hose

Requires rough valve 10452181 (not included)

Available accessory: remote pressure balance valve 13418181

hansgrohe