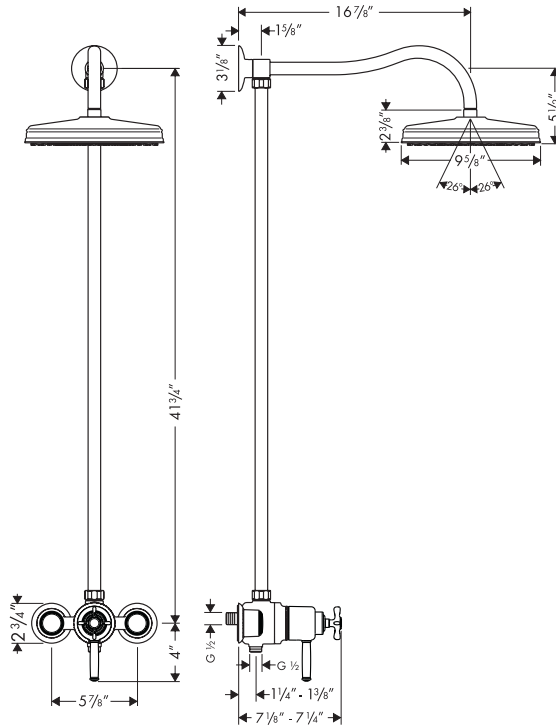
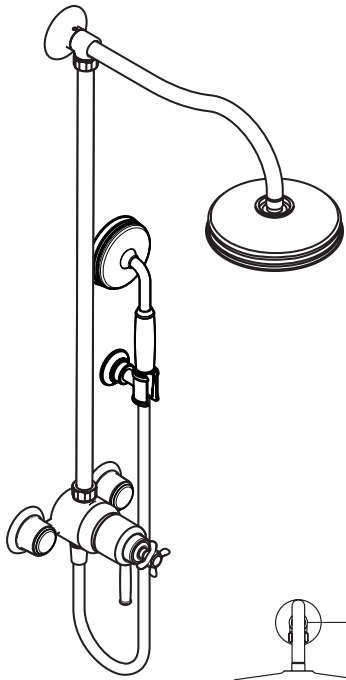


AIR
POWER

QUICLEAN



Product Features

- Thermostatic mixing valve with integrated volume control and diverter
- High temperature limit stop may be reset to comply with local plumbing codes
- Solid brass
- 1/2" NPT male inlets
- 10" showerhead – flow rate 2.5 gpm
- Axor Montreux handshower with holder and 63" handshower hose – flow rate 2.5 gpm
- Protection against backflow provided by check valve

Code Compliance

This unit meets or exceeds the following:

- ASME A112.18.1
- CSA B125.1
- Listed by IAPMO
- Approved for use in Massachusetts

Available Finishes

Chrome	16570001
Brushed Nickel	16570821
Polished Nickel	16570831

Installation Notes

- Requires 1/2" NPT female fittings, recessed 3/8" behind surface of finished wall

The measurements shown are for reference only.

Products and specifications shown are subject to change without notice.

Specification sheet revised 1/2009