

Product Features

- Free standing
- Foam sandwich material with gel coat finish
- Includes drain and overflow
- Filling height: 15"
- Weight dry: 190 lbs
- Weight full: approx. 1070 lbs

Code Compliance

This unit meets or exceeds the following:

- ANSI Z124.1.2-2005
- CSA B45-2002(R08)
- Listed by IAPMO

Available Finishes

White

18950000

Required Accessories

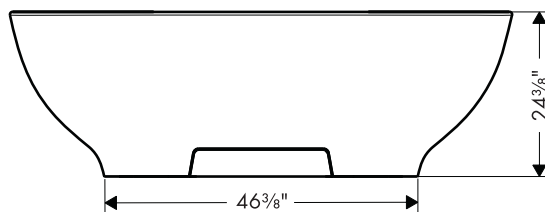
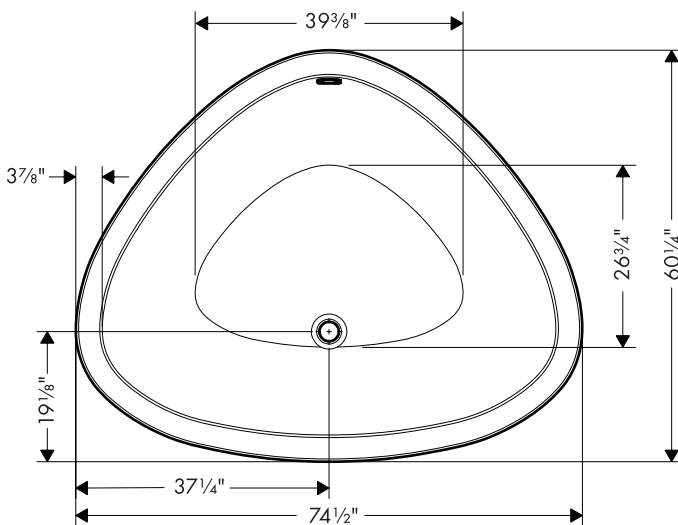
drain adapter

04313001

Optional Accessories

Axor Massaud floor-mounted tub filler
(Requires rough 10452181)

18450001



The measurements shown are for reference only.

Products and specifications shown are subject to change without notice.

Specification sheet revised 11/2010