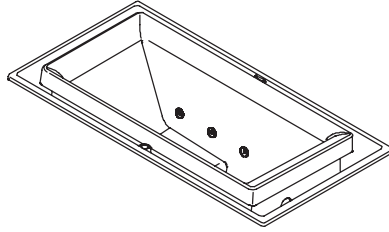


Homeowners Guide

Overflowing Bath

K-1188-C1, K-1188-RE, K-1188-ZY,
K-1189-C1, K-1189-RE, K-1189-ZW



Write model number here:

Écouter le numéro du modèle ici:

Escribir el número del modelo aquí: _____

M product numbers are for Mexico (i.e. K-12345**M**)

Los números de productos seguidos de **M** corresponden a México

(e.j. K-12345**M**)

Français, page "Français-1"

Español, pagina "Español-1"

THE BOLD LOOK
OF **KOHLER**®

Important Safety Information

INSTRUCTIONS PERTAINING TO A RISK OF FIRE, ELECTRICAL SHOCK, OR INJURY TO PERSONS

READ AND FOLLOW ALL INSTRUCTIONS

SAVE THESE INSTRUCTIONS



WARNING: When using this unit, always follow basic precautions, including the following:



DANGER: Risk of personal injury. To reduce the risk of injury, do not permit children to use this unit unless they are closely supervised at all times.



WARNING: Risk of personal injury. To avoid injury, exercise care when entering or exiting the whirlpool.



WARNING: Risk of electric shock. Do not permit electric appliances (such as a hair dryer, lamp, telephone, radio, or television) within 5' (1.5 m) of this whirlpool.



WARNING: Risk of hyperthermia. People using medications and/or having an adverse medical history should consult a physician before using a whirlpool equipped with a heater.



WARNING: The use of alcohol, drugs, or medication can greatly increase the risk of fatal hyperthermia. Prolonged immersions in hot water may induce hyperthermia. Hyperthermia occurs when the internal temperature of the body reaches a level several degrees above the normal body temperature of 98°F (37°C). The effects of hyperthermia include: (a) failure to perceive heat, (b) failure to recognize the need to exit the bath, (c) unawareness of impending hazard, (d) fetal damage in pregnant women, (e) physical inability to exit the bath, and (f) unconsciousness resulting in the danger of drowning.

Use this unit only for its intended use as described in this manual. Do not use attachments not recommended by Kohler Company.

Do not operate this unit without the guard (cover) on the suction fitting.

Never drop or insert any object into any opening. Keep small objects such as bath toys and bathing accessories out of the unit while it is running.

IMPORTANT! Flush your recirculation system twice a month or more depending upon usage, as described in the "Flush System" section.

Repeated use of personal care products containing oils can damage the unit's plastic components. Do not use heavy, vegetable-based shampoos or bath oils.

The unit must be connected only to a supply circuit that is protected by a Ground-Fault Circuit-Interrupter (GFCI) or Residual Current Device (RCD). Such a GFCI or RCD should be provided by the installer and should be tested on a routine basis.

To test the GFCI or RCD, push the test button. The GFCI or RCD should interrupt power. Push the reset button. Power should be restored.

If the GFCI or RCD fails to operate in this manner, there is a ground current flowing, indicating the possibility of an electric shock. Do not use this unit. Disconnect the unit and have the problem corrected by a qualified service representative before using.

The water action of this product will cause bath soap or shampoo to foam. Bubble bath is not recommended for this reason. Refrain from using these products excessively.

Exercise extreme caution if you walk or move around in the bathing well. Plastic surfaces are inherently slippery when wet.

Do not allow the water temperature in the unit to exceed 104°F (40°C) or the heater will not operate.

Important Safety Information (cont.)

Your new bathing product has been listed by Underwriter's Laboratories, thus ensuring safety for you and your family. Your new fixture also conforms to rigid ANSI and IAPMO standards set within the plumbing industry.

Thank You For Choosing Kohler Company

Thank you for choosing Kohler Company. Your Kohler Company product reflects the true passion for design, craftsmanship, artistry, and innovation Kohler Company stands for. We are confident its dependability and beauty will surpass your highest expectations, satisfying you for years to come.

All information in this guide is based upon the latest product information available at the time of publication. At Kohler Company, we strive to fulfill our mission of improving the level of gracious living for each person who is touched by our products and services. We reserve the right to make changes in product characteristics, packaging, or availability at any time without notice.

Please take a few minutes to review this guide. Pay special attention to the care and cleaning instructions.

Remote Control Compliance

FCC ID: N82-KOHLER001 – Compliance Statement (Part 15.19)

This device complies with Part 15 of the FCC Rules. Operation is subject to the following two conditions:

1. This device may not cause harmful interference, and
2. This device must accept any interference received, including interference that may cause undesired operation.

Warning (Part 15.21)

Changes or modifications not expressly approved by the party responsible for compliance could void the user's authority to operate the equipment.

FCC Interference Statement (Part 15.105 (b))

This equipment has been tested and found to comply with the limits for a Class B digital device, pursuant to Part 15 of the FCC Rules. These limits are designed to provide reasonable protection against harmful interference in a residential installation. This equipment generates uses and can radiate radio frequency energy and, if not installed and used in accordance with the instructions, may cause harmful interference to radio communications. However, there is no guarantee that interference will not occur in a particular installation. If this equipment does cause harmful interference to radio or television reception, which can be determined by turning the equipment off and on, the user is encouraged to try to correct the interference by one of the following measures:

- Reorient or relocate the receiving antenna.
- Increase the separation between the equipment and receiver.
- Connect the equipment into an outlet on a circuit different from that to which the receiver is connected.
- Consult the dealer or an experienced radio/TV technician for help.

RF Exposure Warning

This portable transmitter with its antenna complies with FCC's RF exposure limits for general population/uncontrolled exposure.

This device must not be co-located or operating in conjunction with any other antenna or transmitter.

CANADA IC: 4554A-KOHLER001

Industry Canada Statement per Section 4.0 of RSP-100

The term "IC:" before the certification/registration number only signifies that the Industry Canada technical specifications were met.

Remote Control Compliance (cont.)

Section 7.1.5 of RSS-GEN

Operation is subject to the following two conditions:

1. This device may not cause interference, and
2. This device must accept any interference, including interference that may cause undesired operation of the device.

Section 2.6 of RSS-102

This portable transmitter with its antenna complies with Industry Canada RF Exposure Limits for General Population/Uncontrolled Exposure.



March
20, 2003

03

EC DECLARATION OF CONFORMITY

444 Kohler Co. Highland Drive
Kohler, WI 53044
USA

declares under our sole responsibility that our HomeSpa Remote, models¹ 1703, 1705, 1706,
& 1013822 to which this declaration relates, are in conformity with the following standards:

ETSI EN 300 220-3: 2001 Radio Matters for Short Range Devices 25MHz to 1,000MHz
per the provisions of the R&TTE Directive 1999/5/EC

ETSI EN 301 489-3: 2002 EMC for Short Range Devices 9kHz to 40GHz
CISPR 14: 2001 Radiated Emissions-House hold Appliances
IEC 61000-4-2: 2001 Electrostatic Discharge
IEC 61000-4-3: 2002 Radiated RF Immunity

per the provisions of the Electromagnetic Compatibility Directive 89/336/EEC of 3 May
1989 as Amended by 92/31/EEC of 28 April 1992 and 93/68/EEC, Article 5 of 22 July 1993.

The undersigned hereby declares
that the equipment specified above
conforms to the listed Directives and
standards

Timothy Stessman
Senior Project Analyst
Kohler Co
444 Highland Drive
Kohler, WI 53044
USA

Phone: 920.457.4441
Fax: 920.453.6305

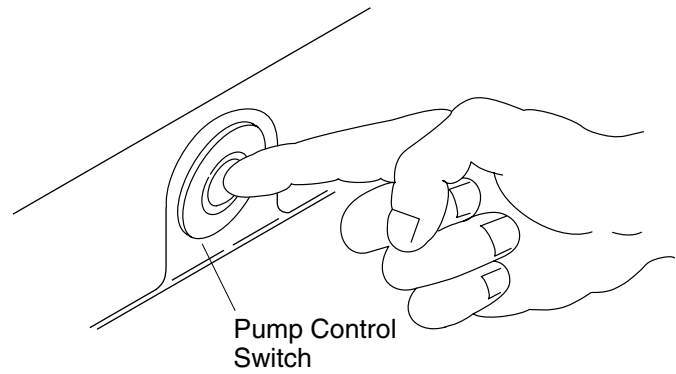
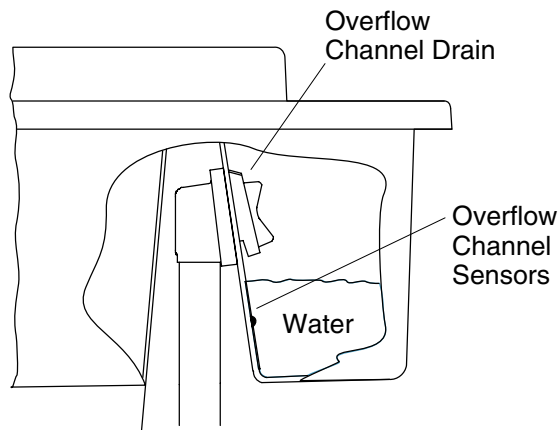
Authorized representative
within the Community:

Mr. Christophe Grzesiek
Kohler France
Z.I des Ecrevolles B.P. 39
10901 Troyes Cedex 9
FRANCE

Phone: +33 3 25 70 45 70
Fax: +33 3 25 76 14 70

Note 1: Model number may be followed by suffixes and may have Kallista® name

Declaration Statement



Your Overflowing Bath

Your Kohler overflowing bath represents a renaissance in hydrotherapy pleasure unlike anything you have experienced before. The overflowing bath will transform your bathroom or home spa into a place of tranquility, rejuvenation, and gracious living you will enjoy for years to come. The overflowing bath will elevate the spirit-enhancing ambiance of total body immersion, cascading water, and gentle water movement into your bathroom or home spa. The warm, soothing flow of water and the gentle effervescent bubble action combine with the enrapturing walls of cascading water to create a relaxing retreat from the cares and worries of your day.

If you are like most people who install a Kohler overflowing bath, you cannot wait to get in and try it out. You will soon find that the features and controls are very simple to use, offering a safe and totally relaxing personal care experience. Please spend a few minutes reading these operating instructions, then you will be ready to go.

Overflowing Bath Operation

- Remove all loose bathing items (such as soap bars, shampoo bottles, and washcloths) from inside the unit.

NOTE: Do not use excessive amounts of shampoo or soap while you are operating the overflowing bath. Of course, you can freely use shampoo and soap for showering before you fill the unit.

- Make sure the metal suction screen is clean and placed correctly over the plastic suction cover.
- Close the drain.

NOTE: The water temperature in the bath should not exceed 104°F (40°C). The in-line heater will automatically turn off as the water temperature approaches 104°F (40°C) and will remain off until the water cools.

NOTE: The in-line heater will help maintain the water temperature while your overflowing bath is running. Always fill the unit with water tempered to your desired comfort level.

- Fill the unit with water to a level where the overflow channel sensors are completely covered and the water in the bathing well runs into the overflow channel drain.
- Within 1/2 minute after the overflow channel sensors are submerged, the green light on the pump control switch will automatically start to blink. This indicates the pump/motor is ready to begin operation.
- Fill the unit 4" (10.2 cm) to 6" (15.2 cm) above the bathing well rim.

NOTE: Like any other bath, prevent flooding the area around the unit by entering the filled bathing well slowly. This will allow the system to properly drain excess water.

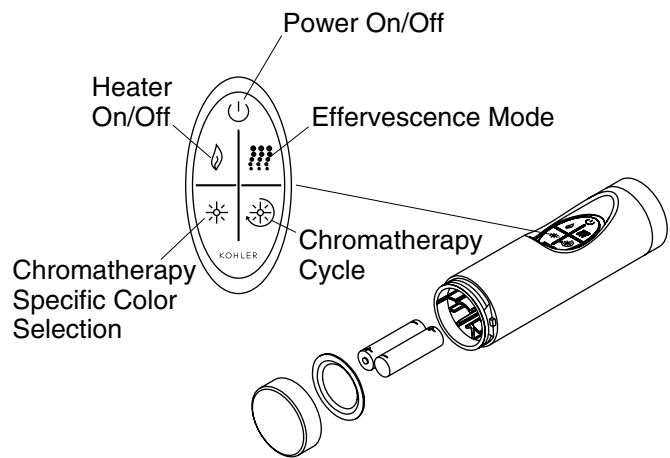
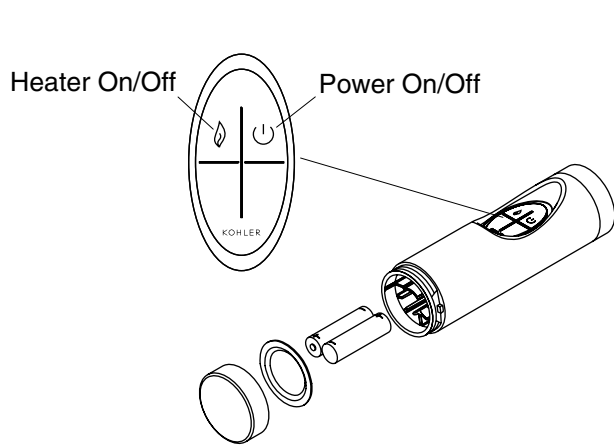
Your Overflowing Bath (cont.)

NOTE: Exercise caution if you walk or move around in the bathing well. Plastic surfaces are inherently slippery when wet.

- Slowly enter the bathing well, then press the pump control switch to start the pump/motor and begin operation.
- As the pump/motor turns on and water begins to circulate, the green light on the pump control switch will change to solid green and will stay on as long as the overflowing bath is running.
- Press the pump control switch again to turn off the overflowing bath. The green light in the pump control switch will automatically start to blink until the overflowing bath is drained below the overflow channel sensors, or is restarted.
- After approximately 20 minutes of continuous operation, a built-in timer will automatically stop the pump/motor.

Chromatherapy Light Operation

- If the chromatherapy lights are turned off, press the light control switch (located opposite of the pump control switch). The chromatherapy lights will begin to cycle through each of the colors (sweep mode). The light control switch flashes blue in the sweep mode.
- If desired, press the light control switch to lock in one constant color. The light control switch is a constant blue in this mode.
- Press the light control button to turn the chromatherapy lights off.



Remote Control

The waterproof remote control is designed to be used in the bath and will float in the water. The remote places the whirlpool functions at your fingertips to further enhance your bathing experience. The functions of the remote are identical to the user keypad.

NOTE: There are two types of remote controls available: (1) a basic unit which controls the power and heater or (2) an enhanced unit which controls chromatherapy and effervescence. Identify your remote control type, then follow the applicable directions.

NOTE: The heater will not operate if the pump is off.

Basic Unit

Power	Turns the pump on and off.
Heater	Turns the heater on and off. The indicator ring will appear light green or yellow green in color when the heater is off and dark green when the heater is on.

Enhanced Unit

Power	Turns the pump on and off.
Heater	Turns the heater on and off. The indicator ring will appear light green or yellow green in color when the heater is off and dark green when the heater is on.
Effervescence Mode	Press the effervescence icon to turn the pump off and activate the effervescence mode. Press the effervescence icon again to turn the pump on.
Chromatherapy Cycle	Press the chromatherapy cycle icon to activate and cycle the chromatherapy lights.
Chromatherapy Specific Color	Press the chromatherapy specific color icon to lock an individual chromatherapy light color in.

Batteries

- **To install or replace batteries:** Unscrew the cap, then insert two AAA batteries (not included) as illustrated. Securely tighten the cap, ensuring the cap makes contact with the seal.

Program

NOTE: If the remote control or pump control was replaced, programming the remote control is necessary.

NOTE: The breaker controlling the power to the overflowing bath must be turned off. The following steps must be performed within three minutes after restoring power.

- Turn off the breaker controlling power to the overflowing bath. Turn the breaker on. The pump control switch will flash for three minutes between yellow and green.

Remote Control (cont.)

- Press the pump control switch. The pump control switch will flash green.

NOTE: Press any button on the remote control within three minutes to ensure the overflowing bath responds to the remote control.

- Press any button on the remote. The overflowing bath will only respond to this remote.

Care and Cleaning

For best results, keep the following in mind when caring for your KOHLER product:

- Always test your cleaning solution on an inconspicuous area before applying to the entire surface.
- Wipe surfaces clean and rinse completely with water immediately after applying cleaner. Rinse and dry any overspray that lands on nearby surfaces.
- Do not allow cleaners to soak on surfaces.
- Use a soft, dampened sponge or cloth. Never use an abrasive material such as a brush or scouring pad to clean surfaces.

For detailed cleaning information and products to consider, visit www.kohler.com/clean. To order Care & Cleaning information, call 1-800-456-4537.

Flush System

NOTE: Flush your whirlpool system twice a month or more, depending upon usage.

- Make sure the metal suction screen is clean and placed correctly over the plastic suction cover.
- Fill the bathing well with hot water so the bathing well overflows the bathing well rim and flows into the overflow channel to the drain overflow, and so both overflow channel sensors are completely covered with water. The green light in the pump control switch will start to blink automatically within 1/2 minute after the overflow channel sensors are completely submerged.
- Add 2 teaspoons of a low-foaming dishwasher detergent, and 20 ounces (590 ml) of household bleach to the water.
- Press the pump control switch button, and let the unit run for 5 to 10 minutes.
- Press the pump control switch button a second time to turn off the unit.
- Completely drain the unit.
- Wipe the surface dry with a clean, soft cloth.

Warranty

ONE-YEAR LIMITED WARRANTY

KOHLER plumbing products are warranted to be free of defects in material and workmanship for one year from date of installation.

Kohler Co. will, at its election, repair, replace or make appropriate adjustment where Kohler Co. inspection discloses any such defects occurring in normal usage within one (1) year after installation. Kohler Co. is not responsible for removal or installation costs. **Use of in-tank toilet cleaners will void the warranty.**

To obtain warranty service contact Kohler Co. either through your Dealer, Plumbing Contractor, Home Center or E-tailer, or by writing Kohler Co., Attn.: Customer Care Center, 444 Highland Drive, Kohler, WI 53044, USA, or by calling 1-800-4KOHLER (1-800-456-4537) from within the USA and Canada, and 001-877-680-1310 from within Mexico.

IMPLIED WARRANTIES INCLUDING THAT OF MERCHANTABILITY AND FITNESS FOR A PARTICULAR PURPOSE ARE EXPRESSLY LIMITED IN DURATION TO THE DURATION OF THIS WARRANTY. KOHLER CO. AND/OR SELLER DISCLAIM ANY LIABILITY FOR SPECIAL, INCIDENTAL OR CONSEQUENTIAL DAMAGES. Some states/provinces do not allow limitations on how

Warranty (cont.)

long an implied warranty lasts, or the exclusion or limitation of special, incidental or consequential damages, so these limitations and exclusions may not apply to you. This warranty gives you specific legal rights. You may also have other rights which vary from state/province to state/province.

This is Kohler Co.'s exclusive written warranty.

One-Year Warranty

KOHLER CO.

It is recommended that at the time of purchase, you verify that all accessories and components are complete in this package.

This Kohler product is warranted to be free of defects in material and workmanship for one (1) year from the date of purchase as shown on the invoice or receipt.

1. Kohler Co. will only service its commercialized products through its authorized distributors.
2. To obtain warranty service, please present the invoice and corresponding warranty.
3. Through its authorized distributors, Kohler Co. promises to repair the defective product or provide a new replacement or an equivalent model (in those cases that the model has been discontinued) when the product is beyond repair, without any charge to the consumer.
4. The time of repair will not exceed six (6) weeks commencing on the date the product is received.
5. It is recommended that the consumer save the invoice or receipt as additional protection, as it may substitute the warranty in the case that there is a discrepancy in the validity of the warranty.

EXCEPTIONS AND RESTRICTIONS

The Warranty will not be valid in the following cases:

1. When the product is not operated in accordance with the instructions concerning use and operation set forth in the owner's manual or installation instructions, and when the recommendations and warnings included are not observed.
2. When the product has been modified or dismantled partially or totally; or has been used in a negligent fashion and as a consequence has suffered damages attributable to the consumer, individual, or hardware not authorized by Kohler Co.
3. This warranty does not cover the damages as a result of disaster such as fire or acts of God, including flooding, earthquake, or electric storms, etc. To obtain a list of distributors in your area where you can exercise your rights under this warranty, please call 001-877-680-1310.

KOHLER CO., KOHLER, WI 53044 U.S.A.

IMPORTER:

INTERNACIONAL DE CERÁMICA, S.A.B. DE C.V.

AV. CARLOS PACHECO NO. 7200

CHIHUAHUA, CHIH., MEXICO C.P. 31060

TEL: 52 (14) 29-11-11

Troubleshooting

For warranty service, contact your dealer or wholesale distributor. This Troubleshooting Guide is for general aid only. Contact a Kohler Authorized Service Representative or a qualified electrician to correct all electrical problems.

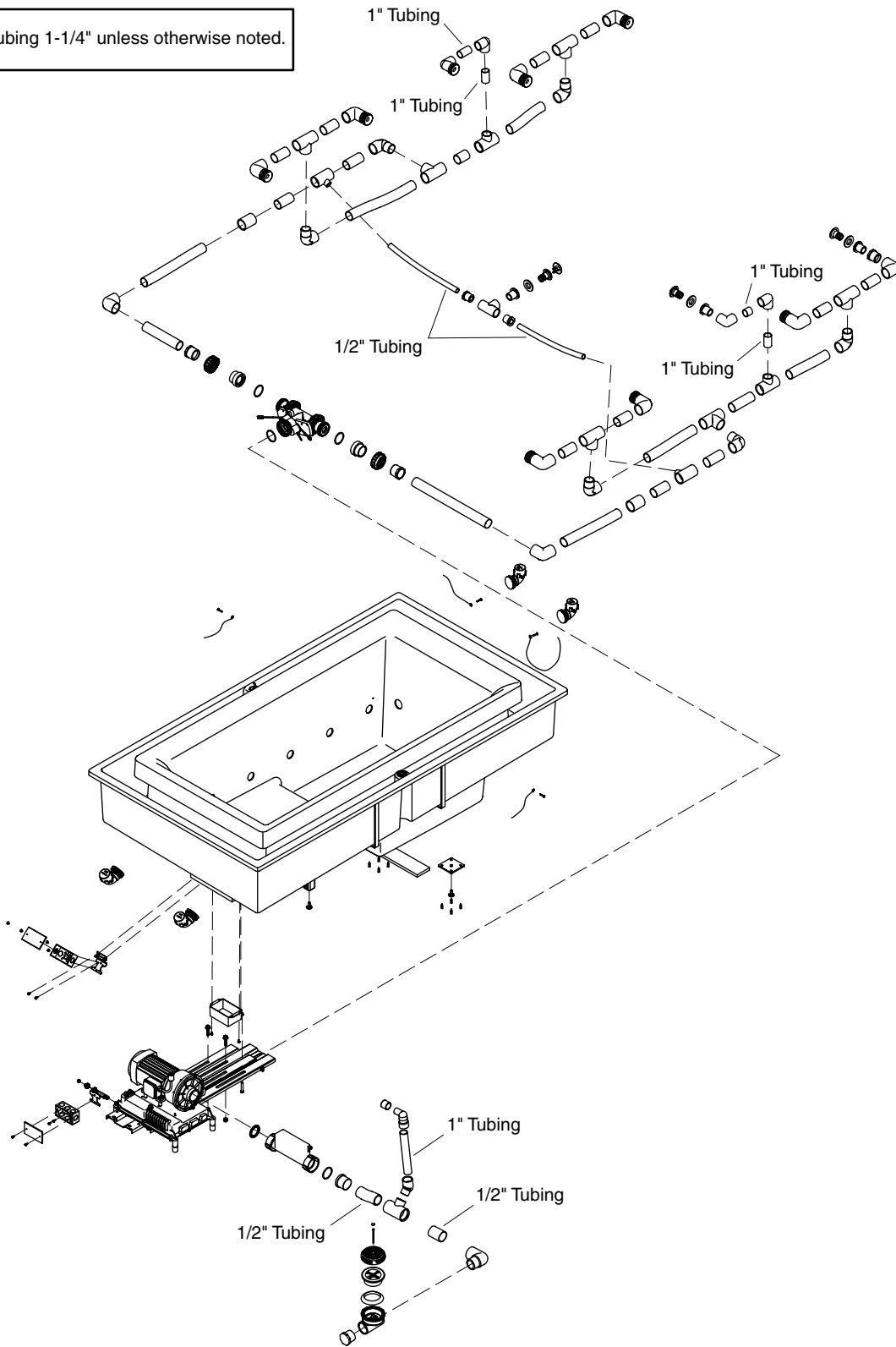
Troubleshooting (cont.)

Symptoms	Probable Causes	Recommended Action
1. Green light in pump control switch flashes before the bathing well is full of water.	<p>A. Spout fills directly into overflow channel.</p> <p>B. One or both butterfly valves do not work.</p> <p>C. Control does not work.</p>	<p>A. Adjust/reinstall the spout to fill directly into the bathing well. Refer to the installer/dealer.</p> <p>B. Check the butterfly valve wiring or replace the butterfly valves. Refer to the installer/dealer.</p> <p>C. Check the wiring or replace the control. Refer to the installer/dealer.</p>
2. Product does not start.	<p>A. No power to unit.</p> <p>B. Water does not cover the overflow channel sensors.</p> <p>C. Pump control switch does not light up or flash when the unit is running or filled as required.</p> <p>D. Pump/motor does not work.</p> <p>E. Control does not work.</p>	<p>A. Turn on the power to the unit, or correct the source of the power loss. Refer to the installer/dealer.</p> <p>B. Fill the bathing well until water flows over the bathing well rim, into the overflow channel, and covers the overflow channel sensors. Suggested fill level is to the drain overflow.</p> <p>C. Check the wiring or replace the pump control switch. Refer to the installer/dealer.</p> <p>D. Rebuild or replace the pump/motor. Refer to the installer/dealer.</p> <p>E. Check the wiring or replace the control. Refer to the installer/dealer.</p>
3. Water does not cascade evenly over the entire bathing well rim.	<p>A. Unit is not level.</p> <p>B. Bathing well ports are blocked.</p> <p>C. Metal suction screen is blocked.</p>	<p>A. Level the unit by using the wrench provided to turn the adjustable feet up or down as needed.</p> <p>B. Remove blockage.</p> <p>C. Clean the metal suction screen.</p>
4. Unit stops automatically before 18 minutes.	<p>A. GFCI/RCD trips.</p> <p>B. Motor overheated and protection device activated.</p> <p>C. Water level drops below the overflow channel sensors during operation ("yellow" ring will be flashing on pump switch).</p>	<p>A. Identify the source of the fault and correct. Refer to the installer/dealer.</p> <p>B. Check for blockage of the motor vent. Allow the motor to cool, then remove the blockage. Check for a plugged metal suction screen, and allow the motor to cool before restarting. Check for blockage of the bathing well ports. Remove the blockage, and allow the motor to cool before restarting.</p> <p>C. Fill the bathing well until water flows over the bathing well rim, into the overflow channel, and covers the overflow channel sensors. Suggested fill level is to the drain overflow. Make sure the bath drain seals properly.</p>

Troubleshooting (cont.)

Symptoms	Probable Causes	Recommended Action
5. Noisy operation.	<p>A. Metal suction screen is not in place over the plastic suction cover.</p> <p>B. Insufficient water level in the overflow channel.</p> <p>C. Pump/motor rattles.</p>	<p>A. Position the metal suction screen over the plastic suction cover to prevent cavitation.</p> <p>B. Fill the bathing well until water flows over the bathing well rim, into the overflow channel, and covers the overflow channel sensors. Suggested fill level is to the drain overflow. Make sure the bath drain seals properly.</p> <p>C. Make sure the pump/motor banding straps have been cut.</p>
6. Water temperature drops significantly over 20 minutes of operation.	<p>A. Heater limit switch tripped. Indicator light should be "On" during operation.</p> <p>B. Heater does not work.</p>	<p>A. Reset the GFCI/RCD.</p> <p>B. Check the wiring or replace the heater. Refer to the installer/dealer.</p>
7. Chromatherapy lights do not work.	<p>A. Damaged wiring harness.</p> <p>B. Control does not work.</p>	<p>A. Check the wiring harness. Refer to the installer/dealer.</p> <p>B. Check wiring or replace the control. Refer to the installer/dealer.</p>
8. Remote control does not work.	<p>A. Batteries improperly installed or dead.</p> <p>B. Antenna on wiring harness is damaged.</p> <p>C. Remote control not programmed correctly.</p> <p>D. Remote control does not work.</p> <p>E. Control does not work.</p>	<p>A. Replace batteries.</p> <p>B. Replace wiring harness. Refer to the installer/dealer.</p> <p>C. See remote control Homeowners Guide or Service Manual.</p> <p>D. Replace remote control. Refer to the installer/dealer.</p> <p>E. Replace control. Refer to the installer/dealer.</p>
9. Water does not reach bath rim upon filling.	<p>A. No power to the unit.</p> <p>B. Level probe wires loose.</p> <p>C. Butterfly valves do not work.</p> <p>D. Control does not work.</p>	<p>A. Turn on the power.</p> <p>B. Check/reconnect wires. Refer to the installer/dealer.</p> <p>C. Check wiring; replace butterfly valves if necessary. Refer to the installer/dealer.</p> <p>D. Replace control. Refer to the installer/dealer.</p>

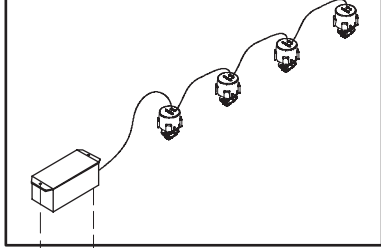
*Note: All tubing 1-1/4" unless otherwise noted.



**Finish/color code must be specified when ordering.

Service Parts

1019933
Chromatherapy Lights



93192
Screw

1003773
Leveling Plate



93192
Screw

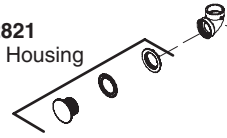
1004779
Screw



1005259
Wrench



1012821
Light Housing



1010618
Elbow

73519
Water Level Probe



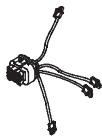
60129
Nut

63270
Washer

60129
Nut

1021777
Wire Harness

63270
Washer



1015025 (-C1 Models)
Plug/Wire Assembly



1015016 (-C1 Models)
Plug/Wire Assembly



1015010 (-C1, -RE Models)
Plug/Wire Assembly



1020078 (-RE Models)
Plug/Wire Assembly



1020079 (-RE Models)
Plug/Wire Assembly

1017879 (Pump)
1017880 (Light)
Switch



1003771
Bezel

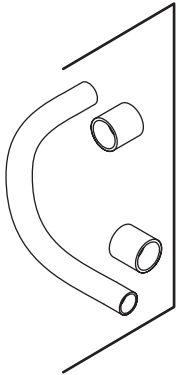


1003772
Housing

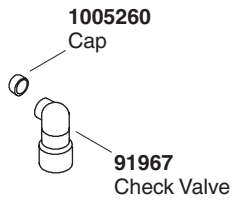


1007931
Medallion

****Finish/color code must be specified when ordering.**



93836 (1/2")
 93838 (1")
 93839 (1-1/4")
 Tube (w/Couplings)

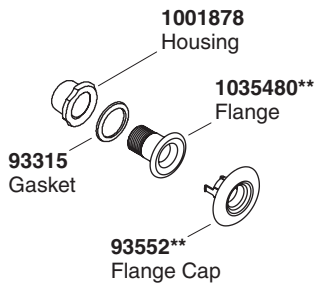


1005260
 Cap

91967
 Check Valve



1003065
 Suction Flange
 Removal Tool

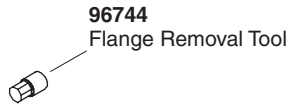


93315
 Gasket

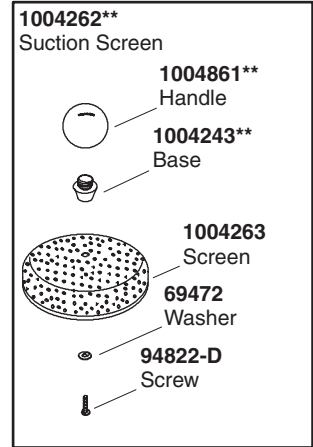
1001878
 Housing

1035480**
 Flange

93552**
 Flange Cap



96744
 Flange Removal Tool



1004262**
 Suction Screen

1004861**
 Handle

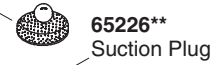
1004243**
 Base

1004263
 Screen

69472
 Washer

94822-D
 Screw

See above for suction
 screen detail.



65226**
 Suction Plug

65054**
 Screw

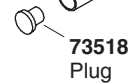
96895**
 Suction Cover



96708
 Flange

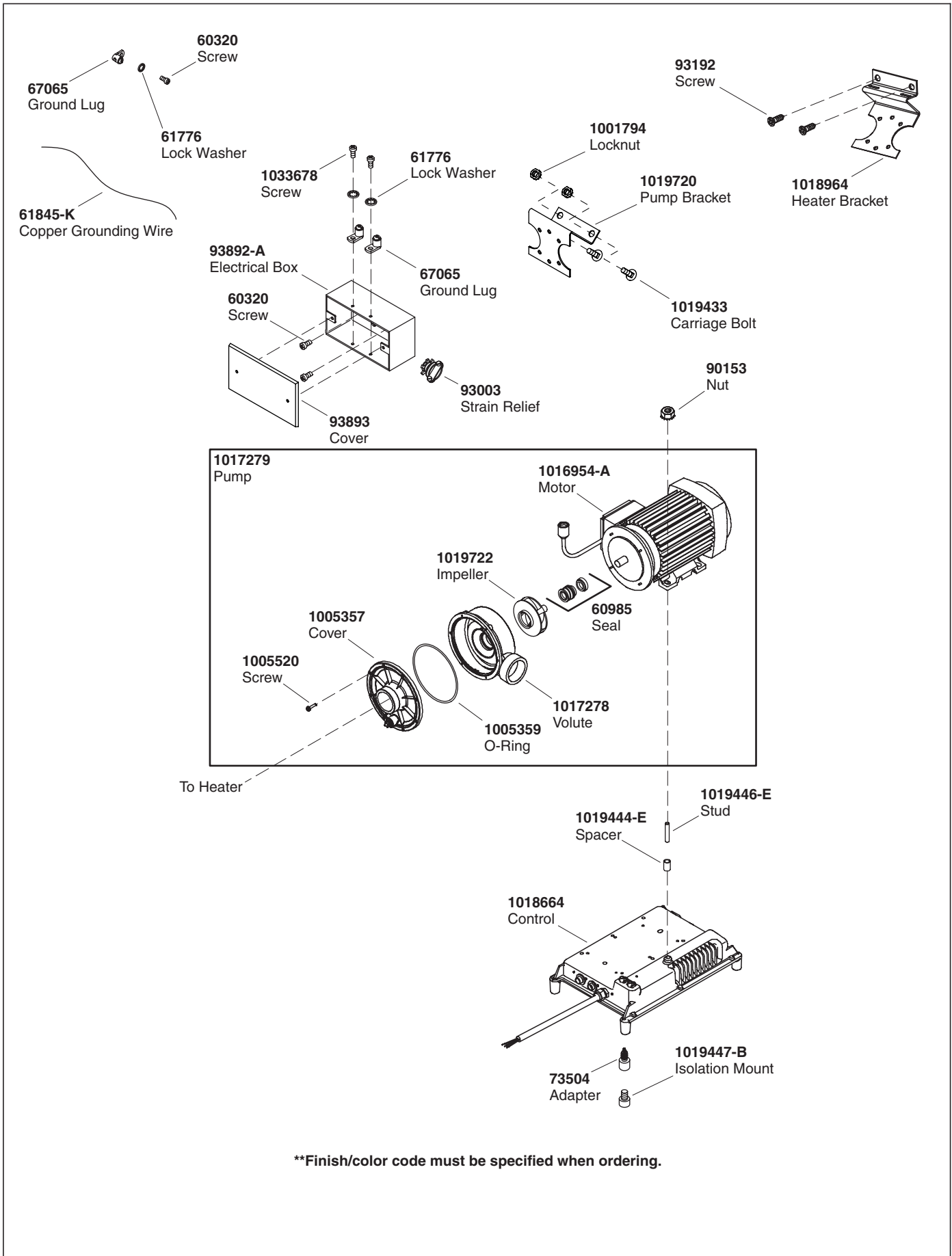
65886
 Gasket

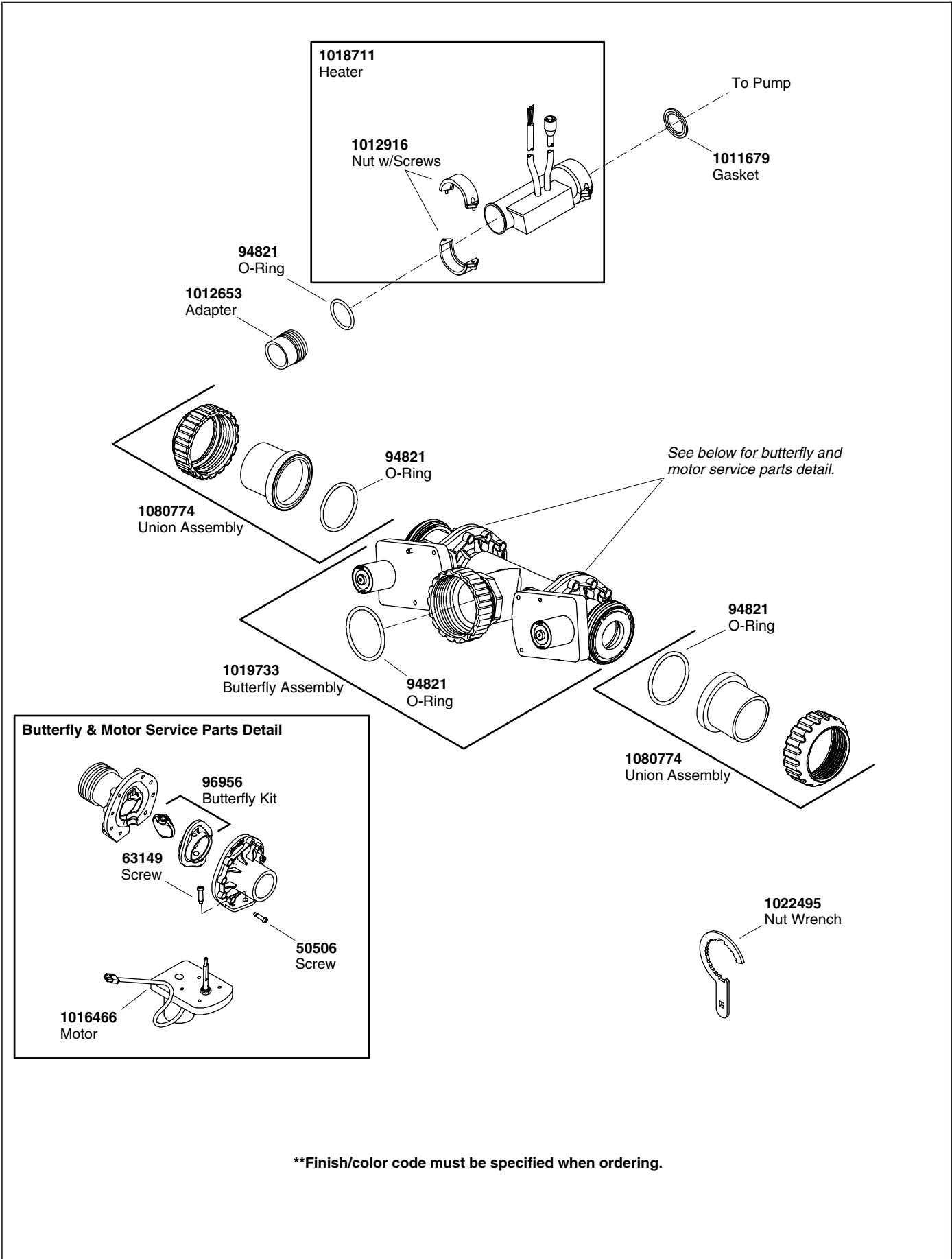
93685
 Housing

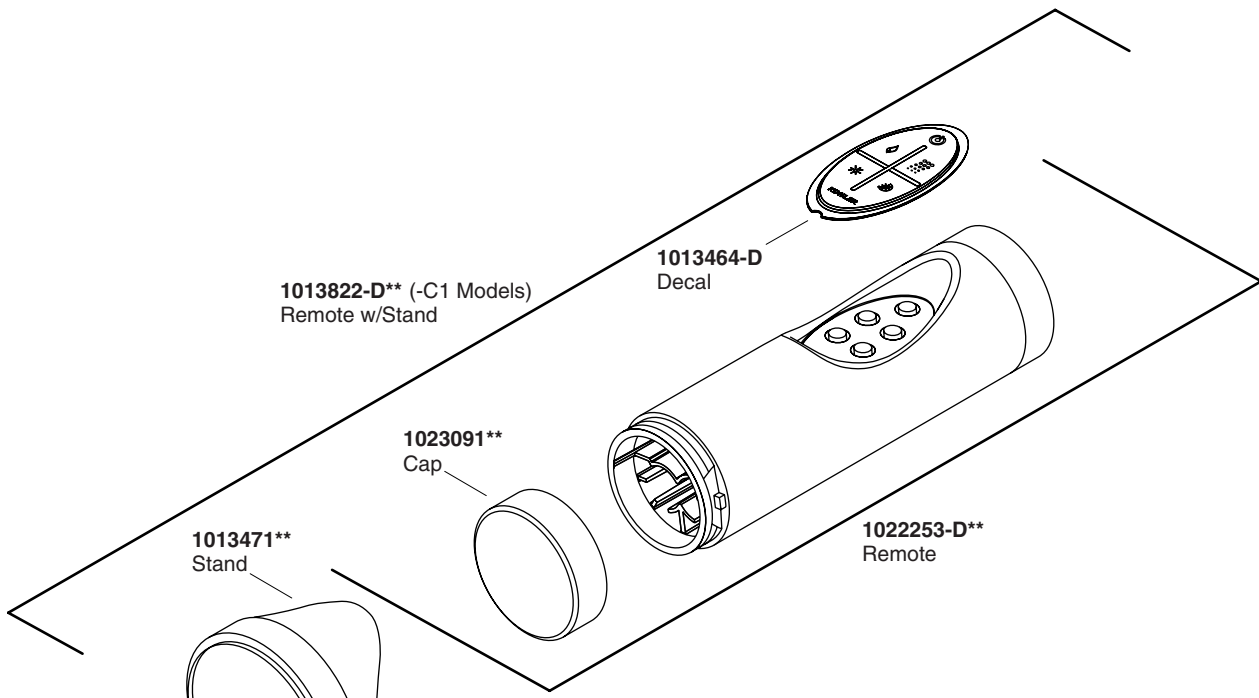


73518
 Plug

**Finish/color code must be specified when ordering.







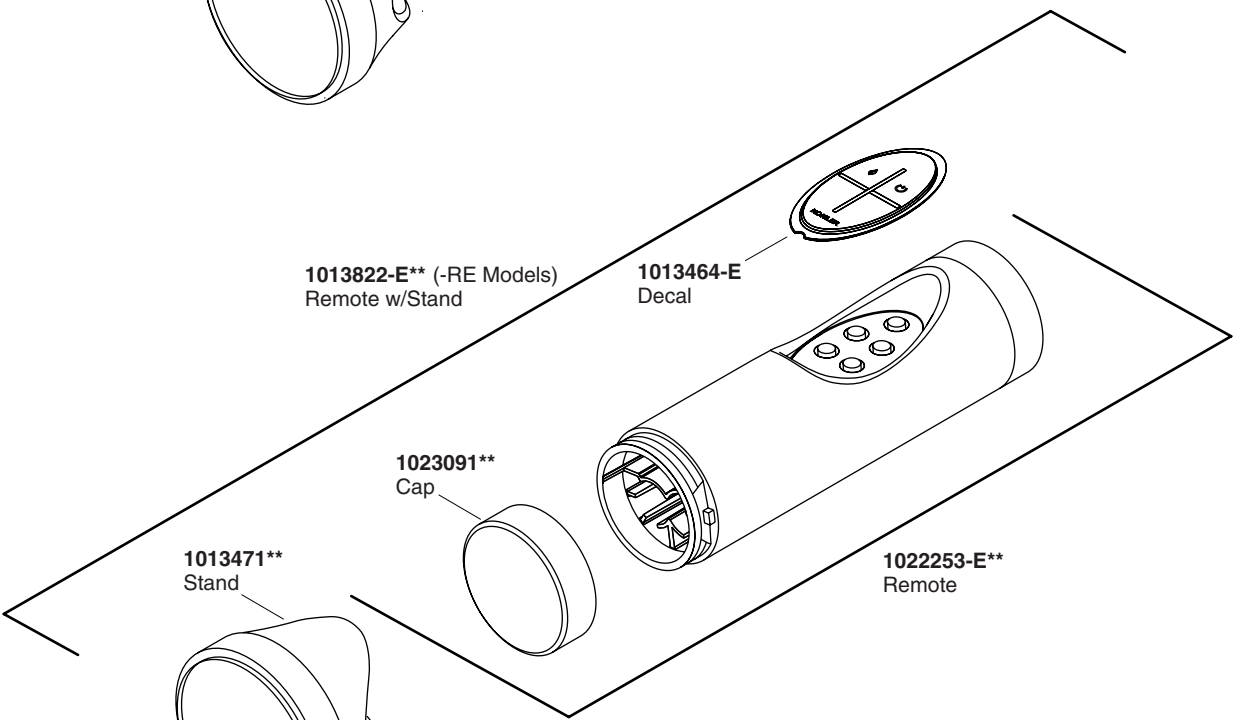
1013822-D (-C1 Models)**
Remote w/Stand

1013464-D
Decal

1023091**
Cap

1013471**
Stand

1022253-D**
Remote



1013822-E (-RE Models)**
Remote w/Stand

1013464-E
Decal

1023091**
Cap

1013471**
Stand

1022253-E**
Remote

****Finish/color code must be specified when ordering.**

Guide du propriétaire

Baignoire à déversement

Informations de sécurité importantes

INSTRUCTIONS RELATIVES AUX RISQUES D'INCENDIE, D'ÉLECTROCUTION OU DE BLESSURES CORPORELLES

LIRE ET SUIVRE TOUTES LES INSTRUCTIONS

CONSERVER CES INSTRUCTIONS



AVERTISSEMENT : Les précautions de base seront observées pour l'utilisation de cette unité, incluant:



DANGER : Risque de blessures corporelles. Afin de réduire les risques de blessures, ne jamais permettre à un enfant d'utiliser cet appareil sans surveillance.



AVERTISSEMENT : Risque de blessures corporelles. Pour éviter les blessures corporelles, entrer et sortir avec précaution de la baignoire à hydromassage.



AVERTISSEMENT : Risque d'électrocution. Ne pas raccorder d'appareils électriques (tels que sèche-cheveux, lampe, téléphone, radio ou télévisions) dans les 5' (1,5 m) de cette baignoire à hydromassage.



AVERTISSEMENT : Risque d'hyperthermie. Les personnes sous médicaments ou qui sont en observation médicale doivent consulter leur médecin avant d'utiliser des baignoires à hydromassage équipées de chauffe-eau.



AVERTISSEMENT : La consommation d'alcool, de drogues ou de médicaments peuvent augmenter considérablement le risque fatal d'hyperthermie. L'immersion prolongée dans l'eau chaude peut provoquer hyperthermie. L'hyperthermie a lieu lorsque la température corporelle interne atteint plusieurs degrés au dessus de la température normale de 98°F (37°C). Les effets de l'hyperthermie comprennent: (a) défaut de percevoir la chaleur, (b) défaut de s'apercevoir du besoin de sortir de la baignoire, (c) incapacité de reconnaître le danger, (d) dommages au fœtus dans le cas des femmes enceintes, (e) incapacité physique de sortir de la baignoire et (f) inconscience et danger conséquent de noyade.

N'utiliser cet appareil que pour l'usage auquel il est destiné, et tel qu'indiqué dans ce manuel. Ne pas utiliser de dispositifs de fixation non recommandés par Kohler Company.

Ne pas utiliser cette unité sans les protecteurs (couvercles) sur les raccords d'aspiration.

Ne jamais faire tomber ou insérer d'objet quelconque dans les ouvertures. Ne pas laisser de petits objets ou des jouets pour le bain dans l'unité lorsque celle-ci est en marche.

IMPORTANT! Purger le système de recirculation deux fois par mois ou plus souvent selon la fréquence d'usage, tel que décrit dans la section « Purger le système ».

L'utilisation régulière de produits d'hygiène et de beauté contenant des huiles peut endommager les composants en plastique de votre unité. Ne pas utiliser de shampoings ou d'huiles de bains à bases végétales.

L'unité doit être raccordée uniquement à une prise de terre, protégée par un disjoncteur différentiel ou un

Informations de sécurité importantes (cont.)

appareil de courant résiduel (RCD). De tels disjoncteurs GFCI ou RCD devraient être fournis par l'installateur et vérifiés régulièrement.

Pour tester le GFCI ou RCD, presser sur le bouton de test. Le GFCI ou RCD devraient couper le courant. Appuyer sur le bouton de ré-initialisation. L'alimentation devrait être restituée.

Si le disjoncteur de mise à la terre GFCI ou RCD ne fonctionne pas de cette manière, il y a du courant qui circule indiquant la possibilité de choc électrique. Ne pas utiliser cette unité. Déconnecter l'unité et demander à un technicien qualifié de faire les réparations nécessaires avant de l'utiliser.

L'action de l'eau de ce produit peut faire mousser le savon ou le shampooing. Pour cette raison, il est conseillé de ne pas utiliser des produits moussants. Nous vous conseillons de ne pas utiliser ces produits excessivement.

Être très vigilant lors de déplacement autour du bassin de la baignoire. Les surfaces en plastique sont glissantes lorsqu'elles sont humides.

Si la température de l'unité excède 104°F (40°C), le chauffe-eau ne fonctionnera pas.

Votre nouveau produit a été homologué par l'ULC, assurant par conséquent votre sécurité et celle de votre famille. Ce nouvel appareil est conforme aux normes ANSI et aux normes IAPMO établies pour l'industrie de la plomberie.

Merci d'avoir choisi la compagnie Kohler

Merci d'avoir choisi la compagnie Kohler. Votre produit de la compagnie Kohler reflète la véritable passion du design, d'artisanat, d'art et d'innovation représentant la compagnie Kohler. Nous sommes confiants que sa fiabilité et beauté surpasseront vos exigences les plus élevées, vous satisfaisant pendant les années à venir.

Toute information contenue dans ce guide est basée sur l'information la plus récente du produit disponible au moment de la publication. A la compagnie Kohler, nous aspirons à remplir notre mission d'améliorer le niveau de vie gracieux pour chaque individu affecté par nos produits et services. Nous nous réservons le droit d'apporter des modifications aux caractéristiques, aux emballages et à la disponibilité des produits à tout moment, et ce sans préavis.

Veuillez prendre s'il vous plaît quelques minutes pour étudier ce guide. Prêter une attention toute particulière aux instructions d'entretien et de nettoyage.

Conformité de la télécommande

FCC ID: N82-KOHLER001 – Déclaration de conformité (Partie 15.19)

Cet appareil est conforme aux exigences de la section 15 du règlement de FCC. L'appareil est soumis aux deux conditions d'exploitation suivantes :

1. Cet appareil ne devrait pas causer d'interférences dangereuses, et
2. Cet appareil doit recevoir les toutes interférences reçues, ainsi que celles qui pourraient causer des opérations non désirées.

Danger (Partie 15.21)

Tous changements et/ou modifications non expressément approuvés par la partie responsable garantissant la conformité, pourrait annuler le droit à l'utilisateur d'opérer l'équipement.

Déclaration de conformité FCC (Partie 15.105 (b))

Cet équipement a été testé et considéré conforme aux limitations d'un dispositif digital de Classe B, selon la Partie 15 des règlements FCC. Ces limites sont conçues pour fournir une protection raisonnable contre toute interférence néfaste lors d'une installation résidentielle. Cet équipement génère, utilise et peut émettre des fréquences radio et, s'il n'est pas installé et utilisé conformément aux instructions, pourrait causer des interférences radio. Cependant, il n'y a pas de garantie que l'interférence n'aura pas lieu dans une installation particulière. Si cet équipement cause des interférences radio néfastes ou une réception de télévision, ce qui peut être déterminé en éteignant l'équipement et le rallumant, l'utilisateur est encouragé d'essayer de rectifier cette interférence par l'un des moyens suivants:

Conformité de la télécommande (cont.)

- Réorienter ou relocaliser l'antenne de réception.
- Augmenter la séparation entre l'équipement et le récepteur.
- Brancher l'équipement dans une prise d'un circuit électrique différent de celui du récepteur.
- Consulter un revendeur ou un technicien radio/TV expérimenté pour de l'assistance.

Avertissement d'exposition RF

Cet émetteur portable et son antenne sont conformes aux limites d'exposition RF de la FCC pour le public général/exposition non contrôlée.

Cet appareil ne doit pas être co-localisé ou opéré avec toute autre antenne ou autre émetteur.

CANADA IC: 4554A-KOHLER001

Déclaration Industrielle Canada par Section 4.0 du RSP-100

Le terme « IC : » avant le numéro de certification/enregistrement signifie que les spécifications techniques canadiennes ont été satisfaites.

Section 7.1.5 du RSS-GEN

L'appareil est soumis aux deux conditions d'exploitation suivantes :

1. Cet appareil ne devrait pas causer d'interférences dangereuses, et
2. Cet appareil doit recevoir les toutes interférences reçues, ainsi que celles qui pourraient causer des opérations non désirées de l'appareil.

Section 2.6 du RSS-102

Cet émetteur portable et son antenne sont conformes aux limites d'exposition RF de la FCC pour le public général/exposition non contrôlée.



Mars
20, 2003

03

DÉCLARATION DE CONFORMITÉ CE

444 Kohler Co. Highland Drive
Kohler, WI 53044
USA:

déclare sous notre entière responsabilité que notre HomeSpa à distance, modèles 1 1703, 1705, 1706, & 1013822 auxquels cette déclaration est liée, sont conformes aux standards suivants:

ETSI EN 300 220-3: 2001 Émissions radio pour appareillages de courtes portées 25 MHz à 1000 MHz selon les provisions de la directive R&TTE 1999/5/CE

ETSI EN301 489-3: 2002	EMC pour appareils courte portée 9kHz à 40GHz
CISPR 14:2001	Émissions irradiées-Appareillages électro-ménagers
IEC 61000-4-2: 2001	Décharge électrostatique
IEC 61000-4-3: 2002	Immunité RF irradiée

de par les provisions de la Directive de Compatibilité Électromagnétique 89/336/CEE du 3 Mai 1989 tel que rectifié par 92/31/CEE du 28 Avril 1992 et 93/68/CEE, Article 5 du 22 Juillet 1993.

Le signataire déclare par la présente que les équipements spécifiés ci-dessus sont conformes aux directives listées et standards

Timothy Stessman
Analyste de projet
Kohler Co
444 Highland Drive
Kohler, WI 53044
USA:

Tél.: 920.457.4441
Fax: 920.453.6305

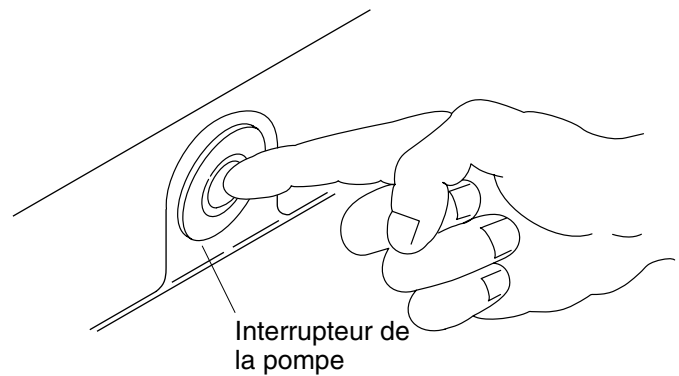
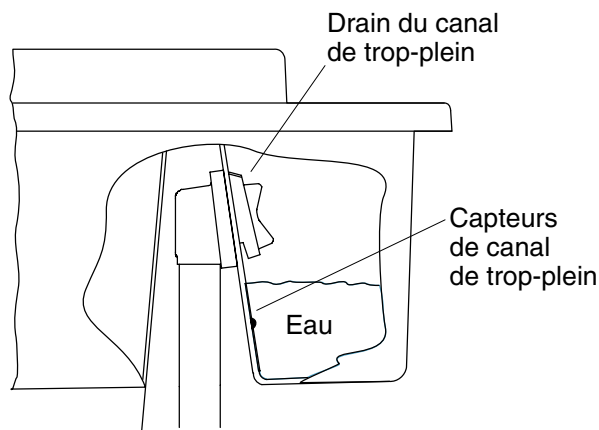
Représentant autorisé
au sein de la communauté:

Mr. Christophe Grzesiek
Kohler France
Z.I des Ecrevolles B.P. 39
10901 Troyes Cedex 9
FRANCE

Tél.: +33 3 25 70 45 70
Fax: +33 3 25 76 14 70

Note 1: Les numéros de modèles peuvent être suivis de suffixes et peuvent avoir le nom Kallista®

Déclaration



Votre baignoire à déversement

Votre baignoire Kohler à déversement représente la renaissance du plaisir de l'hydrothérapie, sans aucune comparaison possible avec ce que vous avez expérimenté auparavant. La baignoire à déversement transformera votre salle de bains ou votre spa à domicile en un espace de tranquillité et de rajeunissement et remplira gracieusement votre vie pour les années à venir. Cette baignoire à déversement élèvera l'ambiance spirituelle et l'expérience de l'immersion corporelle totale, cascade d'eau et doux remous évolueront dans votre salle de bains ou spa à domicile. Le débit d'eau chaud, l'action des bulles d'air chaud et la cascade vous détendront et de vous éloigneront de vos soucis journaliers.

Si vous êtes comme la plupart des personnes qui installent une baignoire à déversement Kohler, il vous sera difficile d'attendre avant de l'essayer. Vous allez rapidement constater que les caractéristiques et les commandes du système sont très faciles à utiliser, et vous offrent une expérience de relaxation totale et sans danger, avec des soins personnels. Veuillez prendre quelques instants pour lire ces instructions sur le fonctionnement, et vous serez alors prêt à commencer.

Fonctionnement de la baignoire à déversement

- Retirer tout objet destiné au bain de l'intérieur de l'unité (comme les savons, bouteilles de shampoing et gants de toilette).

REMARQUE : Ne pas utiliser de quantités excessives de shampoing ou de savon pendant le fonctionnement de la baignoire à déversement. Bien sûr il est possible d'utiliser du shampoing et du savon avant de remplir l'unité.

- S'assurer que la grille d'aspiration métallique soit propre et correctement placée sur le couvercle d'aspiration en plastique.
- Fermer le drain.

REMARQUE : La température de l'eau de la baignoire ne doit pas dépasser 104 °F (40 °C). Le chauffe-eau en ligne s'arrêtera automatiquement si la température de l'eau dépasse 104°F (40°C) and will remain off until the water cools.

REMARQUE : Le chauffe-eau en ligne maintient la température d'eau pendant le fonctionnement de la baignoire à déversement. Toujours remplir l'unité avec la température d'eau désirée pour votre niveau de confort.

- Remplir l'unité avec de l'eau à un niveau où les capteurs de canaux de trop-plein sont complètement recouverts et où le bassin de la baignoire entre dans le drain des canaux de trop-plein.
- Dans la 1/2 minute après l'immersion des capteurs de canaux de trop-plein, le voyant vert de l'interrupteur de commande de la pompe commence automatiquement à clignoter. Ceci indique que la pompe/le moteur sont prêts à commencer à fonctionner.

Votre baignoire à déversement (cont.)

- Remplir l'unité entre 4" (10,2 cm) et 6" (15,2 cm) au-dessus du rebord du bassin de la baignoire.

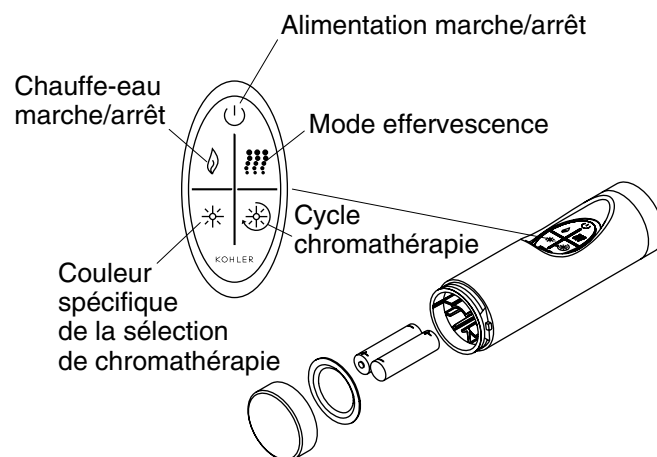
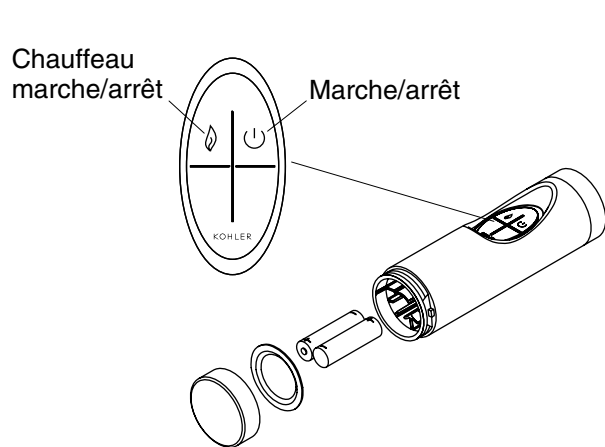
REMARQUE : Comme pour toute autre baignoire, éviter de déborder l'eau de l'unité en entrant dans le bassin lentement. Cela permettra au système d'évacuer correctement tout excès d'eau.

REMARQUE : Être vigilant lors des déplacements autour du bassin de la baignoire. Les surfaces en plastique sont glissantes lorsqu'elles sont humides.

- Entrer doucement dans la baignoire, et presser l'interrupteur de contrôle de la pompe pour activer le moteur/pompe et commencer l'opération.
- Quand le moteur/la pompe s'active et l'eau commence à couler, le voyant vert de l'interrupteur de commande de la pompe s'allume en vert solide et reste allumé tant que la baignoire à déversement fonctionne.
- Appuyer sur l'interrupteur de la pompe une deuxième fois pour arrêter la baignoire. Le voyant vert de l'interrupteur de commande de la pompe commence à clignoter automatiquement, jusqu'à ce que la baignoire à déversement soit vidée à un niveau inférieur aux capteurs de canaux de trop-plein, ou jusqu'à son redémarrage.
- Au bout de 20 minutes environ de fonctionnement continu, une minuterie intégrée arrête automatiquement la pompe/le moteur.

Fonctionnement de la lumière de chromothérapie

- Si les lumières de chromothérapie sont éteintes, appuyer sur l'interrupteur de commande de lumière (situé sur le côté de l'interrupteur de contrôle de la pompe). Les lumières de chromothérapie commenceront le cycle de chaque couleur (mode balayage). La lumière devient bleue dans le mode parcours.
- Si souhaité, appuyer sur l'interrupteur de commande de lumière pour verrouiller dans une couleur constante. L'interrupteur de contrôle de lumière est d'une couleur bleue constante dans ce mode.
- Appuyer sur le bouton de commande de lumière pour éteindre les lumières de chromothérapie.



Télécommande

La télécommande étanche est conçue pour être utilisée dans le bain, et flottera sur l'eau. La télécommande met toutes les fonctions de la baignoire à hydromassage à la portée de main, afin d'améliorer d'avantage votre expérience de bain. Les fonctions de la télécommande sont identiques à celles du clavier de l'utilisateur.

REMARQUE : Il y a deux types de télécommandes disponibles: (1) une unité de base qui commande l'alimentation et le chauffe-eau ou (2) une unité améliorée qui commande la chromathérapie et l'effervescence. Identifier le type de télécommande, puis suivre les instructions applicables.

REMARQUE : Le chauffe-eau ne fonctionnera pas si la pompe est arrêtée.

Unité de base

Alimentation	Met la pompe en marche et arrêt.
Chauffe-eau	Met le chauffe-eau marche et l'arrêt. La couleur de la bague de l'indicateur sera vert clair ou vert jaune lorsque le chauffe-eau est éteint, et vert foncé lorsque le chauffe-eau est en marche.

Unité améliorée

Alimentation	Met la pompe en marche et arrêt.
Chauffe-eau	Met le chauffe-eau marche et l'arrêt. La couleur de la bague de l'indicateur sera vert clair ou vert jaune lorsque le chauffe-eau est éteint, et vert foncé lorsque le chauffe-eau est en marche.
Mode effervescence	Appuyer sur l'icône d'effervescence pour arrêter la pompe et activer le mode d'effervescence. Appuyer sur l'icône de l'effervescence pour démarrer la pompe.
Cycle de chromathérapie	Appuyer sur l'icône du cycle de chromathérapie pour activer et faire cycliser les voyants de chromathérapie.
Couleur spécifique de chromathérapie	Appuyer sur l'icône de couleur spécifique de la chromathérapie pour verrouiller une couleur de voyant de chromathérapie individuellement.

Piles

- **Pour installer ou remplacer les piles :** Desserrer le couvercle, puis insérer deux piles AAA (non incluses), tel qu'illustré. Bien serrer le couvercle, en s'assurant que celui-ci entre en contact avec le joint.

Programmation

REMARQUE : Si la télécommande ou la commande de la pompe ont été remplacées, il sera nécessaire de programmer la télécommande.

Télécommande (cont.)

REMARQUE : Le disjoncteur qui commande l'alimentation pour le bain à déversement doit être éteint. Les étapes ci-dessous doivent être effectuées dans les trois minutes suivant la restauration de l'alimentation.

- Couper l'alimentation de commande du disjoncteur pour la baignoire à déversement. Mettre le disjoncteur en marche. L'interrupteur de commande de la pompe clignote pendant trois minutes, entre jaune et vert.
- Appuyer sur l'interrupteur de commande de la pompe. L'interrupteur de contrôle de la pompe clignotera en vert.

REMARQUE : Appuyer sur n'importe quel bouton de la télécommande dans les trois minutes afin d'assurer que la baignoire à déversement répond à la télécommande.

- Presser un bouton de la télécommande. La baignoire à déversement ne répondra qu'à cette télécommande.

Entretien et nettoyage

Pour de meilleurs résultats, prendre ce qui suit en considération lors de l'entretien de votre produit KOHLER:

- Toujours tester la solution de nettoyage sur une surface la moins évidente avant de l'appliquer sur la totalité de la surface.
- Essuyer les surfaces et rincer complètement avec de l'eau immédiatement après l'application du nettoyant. Rincer et sécher tout éclaboussement sur les surfaces avoisinantes.
- Ne pas laisser les nettoyants sur les surfaces.
- Utiliser une éponge ou un chiffon doux et humide. Ne jamais utiliser de matériau abrasif tel que brosse ou éponges à récurer pour nettoyer les surfaces.

Pour l'information détaillée de nettoyage et des produits à considérer, visiter www.kohler.com/clean. Pour commander des informations d'entretien et de nettoyage, composer le 1-800-456-4537.

Système de chasse

REMARQUE : Purger le système d'hydromassage deux fois par mois ou plus, selon la fréquence d'utilisation.

- S'assurer que la grille d'aspiration métallique soit propre et correctement placée sur le couvercle d'aspiration en plastique.
- Remplir le bassin de la baignoire avec de l'eau chaude pour que l'eau déborde sur le rebord vers le canal de déversement et le trop plein du drain, jusqu'à immerger complètement les deux capteurs du niveau. La lumière verte de l'interrupteur de la pompe clignotera automatiquement 30 secondes après que les capteurs du canal de trop plein soient complètement immergés.
- Ajouter 2 cuillères à café d'un détergent peu moussant pour lave-vaisselle, et 590 ml. (20 onces) d'un produit javellisant domestique à l'eau.
- Presser l'interrupteur de contrôle de la pompe, et laisser fonctionner l'unité pendant 5 à 10 minutes.
- Presser sur le bouton interrupteur de contrôle de la pompe une deuxième fois pour arrêter l'unité.
- Purger complètement l'unité.
- Essuyer la surface avec un chiffon propre et doux.

Garantie

GARANTIE LIMITÉE D'UN AN

Les produits de plomberie KOHLER sont garantis contre tout défaut matériel et de fabrication pour un an, à partir de la date de l'installation.

Garantie (cont.)

Kohler Co. jugera à sa discrétion, de la réparation, du remplacement ou du réglage approprié et ceci après toute inspection faite par Kohler Co. de tous défauts dus à une utilisation normale et ceci pendant un (1) an à partir de la date d'installation. Kohler Co. n'est pas responsable des coûts de démontage ou d'installation. **L'utilisation de nettoyeurs à l'intérieur du réservoir annulera la garantie.**

Pour obtenir un service-garantie, contacter Kohler Co. par l'intermédiaire de votre vendeur, plombier, centre de rénovation, revendeur par internet ou par écrit à Kohler Co. à l'attention de: Customer Care Center (Service d'assistance à la clientèle), 444 Highland Drive, Kohler, WI 53044, USA, ou composer le 1-800-4KOHLER (1-800-456-4537) à partir des États-Unis et du Canada, et le 001-877-680-1310 à partir du Mexique.

LA DURÉE DES GARANTIES TACITES, Y COMPRIS CELLES DE QUALITÉ MARCHANDE ET D'APTITUDE À UN EMPLOI PARTICULIER, SE LIMITE EXPRESSÉMENT À LA DURÉE DE LA PRÉSENTE GARANTIE. KOHLER CO. ET/OU LE REVENDEUR DÉCLINENT TOUTE RESPONSABILITÉ CONTRE LES DOMMAGES PARTICULIERS, IMPRÉVUS OU DE CIRCONSTANCE.

Certains états/provinces ne permettent pas la limitation sur la durée de la garantie implicite, ou l'exclusion ou la limitation de dommages spéciaux, accessoires ou indirects, et, par conséquent, ces limitations et exclusions pourraient ne pas s'appliquer dans votre cas. Cette garantie vous donne des droits légaux spécifiques. Vous pouvez également avoir d'autres droits qui varient d'un état/province à l'autre.

Ceci constitue la garantie écrite exclusive de Kohler Co.

Dépannage

Pour une réparation sous garantie, contacter le vendeur ou distributeur. Ce guide de dépannage est destiné à une aide générale uniquement. Contacter un technicien agréé Kohler ou un électricien qualifié pour réparer tout problème électrique.

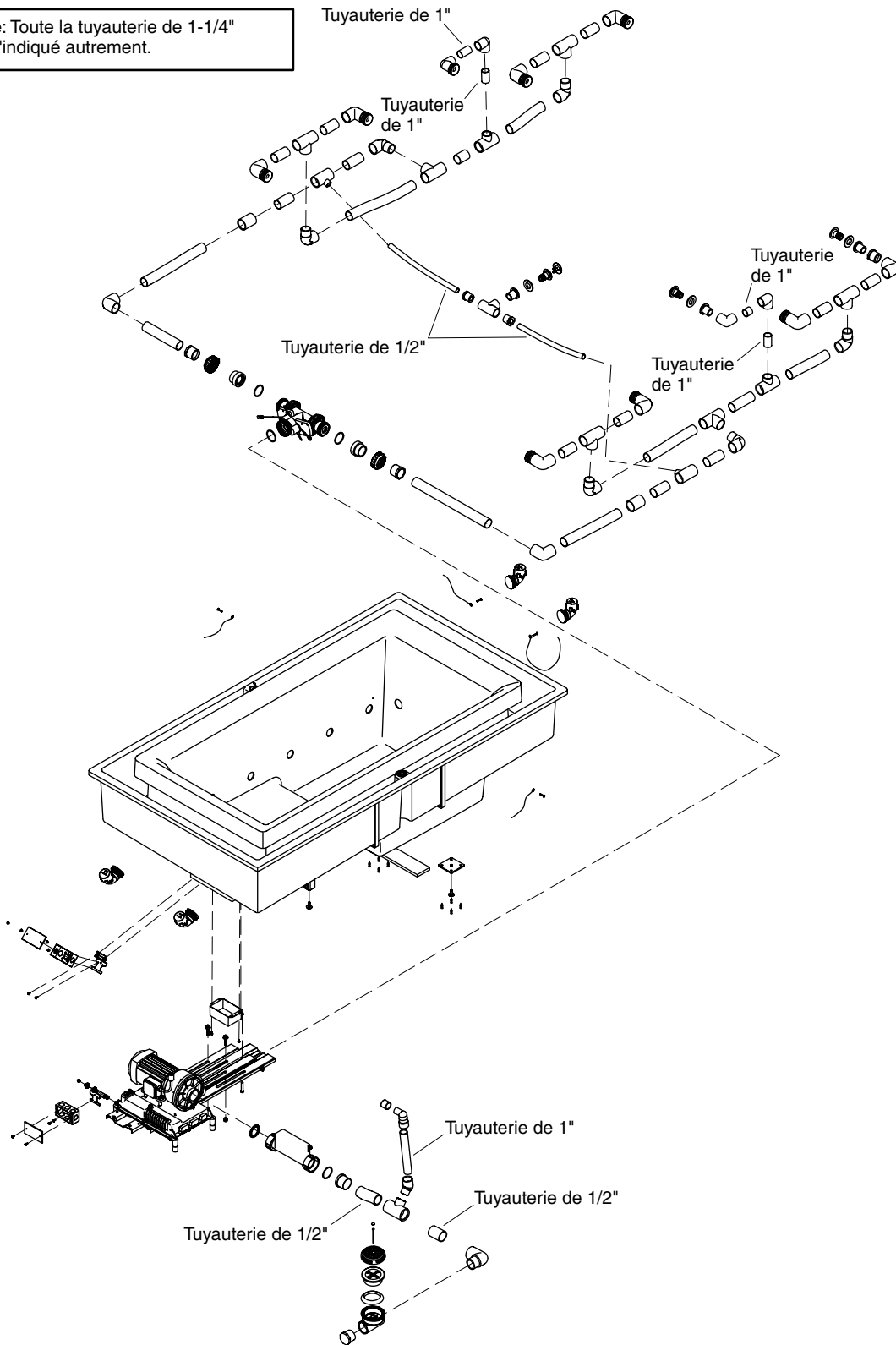
Symptômes	Causes probables	Action recommandée
1. Le voyant vert du contrôle de la pompe clignote avant que la baignoire soit pleine d'eau.	A. Le bec verse l'eau directement dans le canal de trop-plein. B. Une ou les deux valves papillon ne fonctionnent pas. C. Le contrôle ne fonctionne pas.	A. Régler/réinstaller le bec pour écouler l'eau directement dans le bassin de la baignoire. Contacter l'installateur/vendeur. B. Vérifier le câblage de valves papillon ou remplacer celles-ci. Contacter l'installateur/vendeur. C. Vérifier le câblage ou remplacer le contrôle. Contacter l'installateur/vendeur.
2. Le produit ne démarre pas.	A. Pas d'alimentation à l'unité. B. L'eau ne couvre pas les capteurs de canal de trop-plein. C. Le voyant de l'interrupteur de la pompe ne s'allume pas ou clignote quand l'unité est activée ou remplie tel que requis. D. La pompe/moteur ne fonctionne pas. E. Le contrôle ne fonctionne pas.	A. Alimenter l'unité ou corriger la perte de courant. Contacter l'installateur/vendeur. B. Remplir le bassin de manière à ce que l'eau circule par dessus le rebord du bassin dans le canal de trop-plein, et submerge les capteurs. Le niveau de remplissage conseillé est jusqu'au trop-plein du drain. C. Vérifier le câblage ou remplacer l'interrupteur de contrôle de la pompe. Contacter l'installateur/vendeur. D. Reconstruire ou remplacer la pompe/moteur. Contacter l'installateur/vendeur. E. Vérifier le câblage ou remplacer le contrôle. Contacter l'installateur/vendeur.

Dépannage (cont.)		
Symptômes	Causes probables	Action recommandée
3. L'eau ne tombe pas en cascade de façon égale sur le rebord du bassin de la baignoire.	<p>A. L'unité n'est pas nivelée.</p> <p>B. Les orifices du bassin sont bloqués.</p> <p>C. La crépine d'aspiration métallique est bloquée.</p>	<p>A. Nivelier l'unité avec la clé fournie en pivotant les pieds réglables vers le haut ou le bas selon le besoin.</p> <p>B. Retirer le blocage.</p> <p>C. Nettoyer la crépine d'aspiration métallique.</p>
4. L'unité s'arrête automatiquement avant 18 minutes.	<p>A. GFCI/RCD se déclenche.</p> <p>B. Moteur surchauffé et système de protection activé.</p> <p>C. Le niveau d'eau descend en-dessous des capteurs du canal de trop-plein pendant le fonctionnement (Le voyant "jaune" de la pompe clignote)</p>	<p>A. Identifier la source du problème puis y remédier. Contacter l'installateur/vendeur.</p> <p>B. Vérifier s'il y a un blocage du ventilateur du moteur. Laisser refroidir le moteur, puis retirer l'obstruction. S'assurer que la crépine d'aspiration métallique ne soit pas bloquée, puis laisser refroidir avant de relancer le moteur. Vérifier qu'il n'y ait pas d'obstruction dans les orifices du bassin. Retirer le blocage, puis laisser refroidir le moteur avant de le relancer.</p> <p>C. Remplir le bassin de manière à ce que l'eau circule par dessus le rebord du bassin dans le canal de trop-plein, et submerge les capteurs. Le niveau de remplissage conseillé est jusqu'au trop-plein du drain. S'assurer que le drain de la baignoire soit bien étanche.</p>
5. Fonctionnement bruyant.	<p>A. La crépine d'aspiration métallique n'est pas à sa place sur le couvercle d'aspiration en plastique.</p> <p>B. Le niveau d'eau est insuffisant dans le canal de trop-plein.</p> <p>C. La pompe/moteur est bruyante.</p>	<p>A. Positionner la crépine d'aspiration métallique sur le couvercle d'aspiration en plastique pour éviter la cavitation.</p> <p>B. Remplir le bassin de manière à ce que l'eau circule par dessus le rebord du bassin dans le canal de trop-plein, et submerge les capteurs. Le niveau de remplissage conseillé est jusqu'au trop-plein du drain. S'assurer que le drain de la baignoire soit bien étanche.</p> <p>C. S'assurer que les sangles qui retiennent la pompe/moteur ont été sectionnés.</p>
6. La température de l'eau baisse considérablement dans les 20 minutes de fonctionnement.	<p>A. L'interrupteur de la chaleur maximum est déclenché. La lumière indicatrice devrait être allumée pendant le fonctionnement.</p> <p>B. Le chauffe-eau ne fonctionne pas.</p>	<p>A. Réinitialiser le disjoncteur différentiel GFCI/RCD.</p> <p>B. Vérifier le câblage ou remplacer le chauffe-eau. Contacter l'installateur/vendeur.</p>
7. Les lumières de chromothérapie ne fonctionnent pas.	<p>A. Harnais de câblage électrique endommagé.</p> <p>B. Le contrôle ne fonctionne pas.</p>	<p>A. Vérifier le harnais de câblage. Contacter l'installateur/vendeur.</p> <p>B. Vérifier le câblage ou remplacer le contrôle. Contacter l'installateur/vendeur.</p>

Dépannage (cont.)

Symptômes	Causes probables	Action recommandée
8. La télécommande ne fonctionne pas.	<ul style="list-style-type: none">A. Les piles sont mal installées ou épuisées.B. L'antenne du câblage électrique est endommagée.C. La télécommande n'est pas correctement programmée.D. La télécommande ne fonctionne pas.E. Le contrôle ne fonctionne pas.	<ul style="list-style-type: none">A. Remplacer les piles.B. Remplacer le faisceau de câblage. Contacter l'installateur/vendeur.C. Voir le guide du propriétaire ou le manuel de service de la télécommande.D. Remplacer la télécommande. Contacter l'installateur/vendeur.E. Remplacer le contrôle. Contacter l'installateur/vendeur.
9. L'eau n'atteint pas le rebord de la baignoire pendant le remplissage.	<ul style="list-style-type: none">A. Pas d'alimentation à l'unité.B. Câbles de la sonde de niveau desserrés.C. Les valves papillon ne fonctionnent pas.D. Le contrôle ne fonctionne pas.	<ul style="list-style-type: none">A. Brancher l'alimentation électrique.B. Vérifier/reconnecter les câbles. Contacter l'installateur/vendeur.C. Vérifier le câblage ou remplacer les valves papillons si nécessaire. Contacter l'installateur/vendeur.D. Remplacer le contrôle. Contacter l'installateur/vendeur.

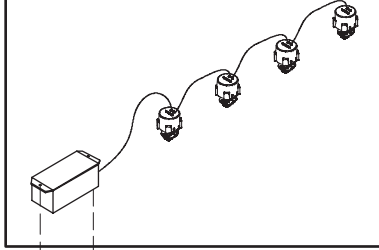
*Remarque: Toute la tuyauterie de 1-1/4"
à moins qu'indiqué autrement.



**Vous devez spécifier les codes de la finition/couleur lors de la commande.

Pièces de rechange

1019933
Lumières de chromathérapie



93192
Vis

1003773
Plaque de mise
à niveau

93192
Vis

1004779
Vis

1005259
Clé

1012821
Logement de l'éclairage

1010618
Coude

73519
Sonde du niveau d'eau

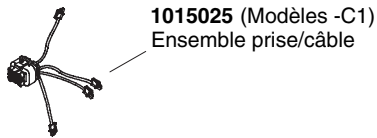
63270
Rondelle

60129
Écrou

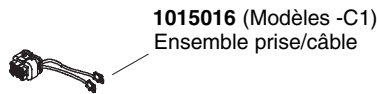
63270
Rondelle

60129
Écrou

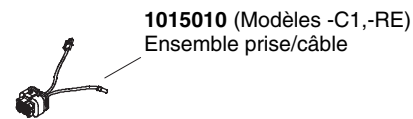
1021777
Harnais de câblage



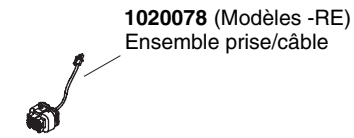
1015025 (Modèles -C1)
Ensemble prise/câble



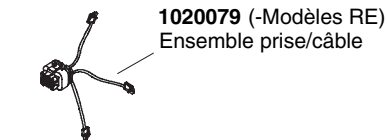
1015016 (Modèles -C1)
Ensemble prise/câble



1015010 (Modèles -C1, -RE)
Ensemble prise/câble



1020078 (Modèles -RE)
Ensemble prise/câble



1020079 (-Modèles RE)
Ensemble prise/câble

1017879 (Pompe)
1017880 (Lumière)
Interrupteur

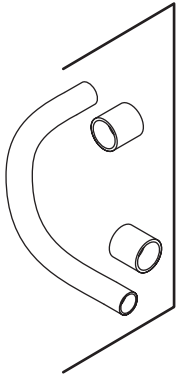
1003771
Couronne

1003772
Logement

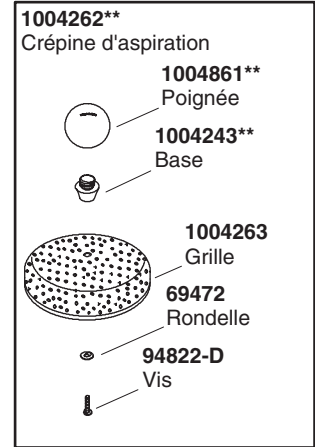
1007931
Médaille



****Vous devez spécifier les codes de la finition et/ou de la couleur quand vous passez votre commande.**

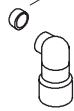


93836 (1/2")
93838 (1")
93839 (1-1/4")
94853 (1-1/2")
 Tuyau (avec couplages)



Voir au-dessus pour les détails de la grille d'aspiration.

1005260
 Capuchon



91967
 Valve clapet de non-retour

1003065
 Outil d'extraction de la bride d'aspiration



96895**
 Capuchon de la vis du couvercle d'aspiration

65226**
 Bouchon

65054**
 Vis



96708
 Flange



65886
 Joint

93685
 Logement



73518
 Bouchon

1001878
 Logement

1035480**
 Bride

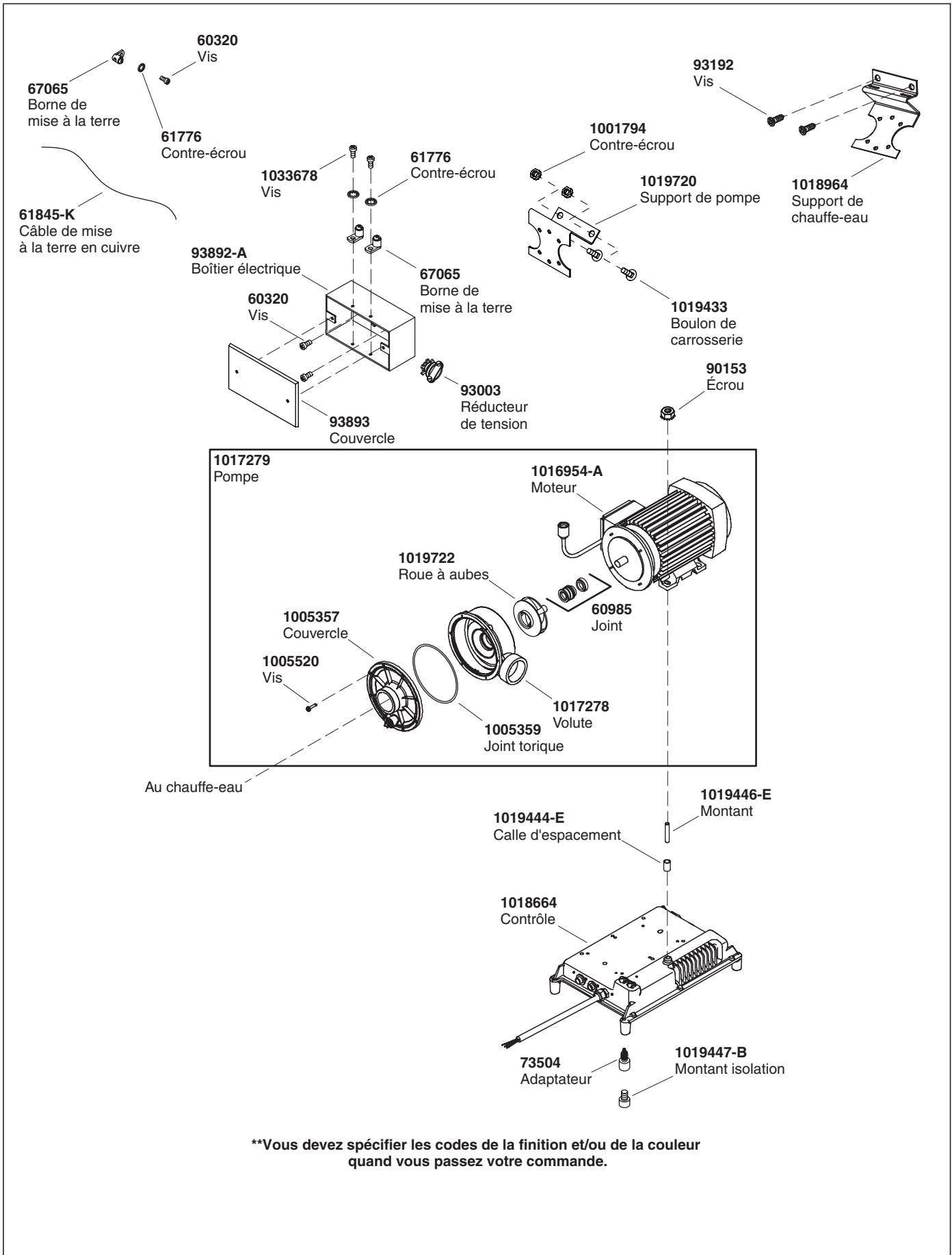
93315
 Joint

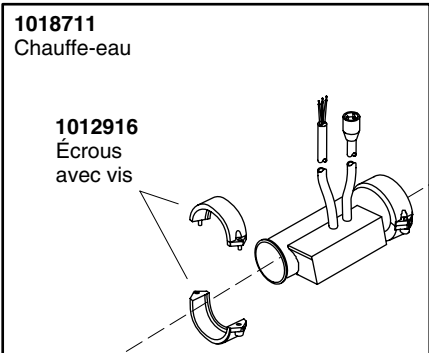
93552**
 Bouchon bride

96744
 Outil d'extraction de la bride



****Vous devez spécifier les codes de la finition et/ou de la couleur quand vous passez votre commande.**

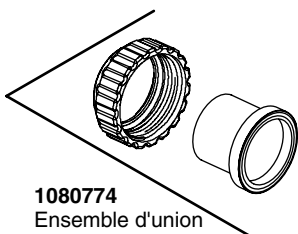




Vers la pompe

94821
Joint torique

1012653
Adaptateur



94821
Joint torique

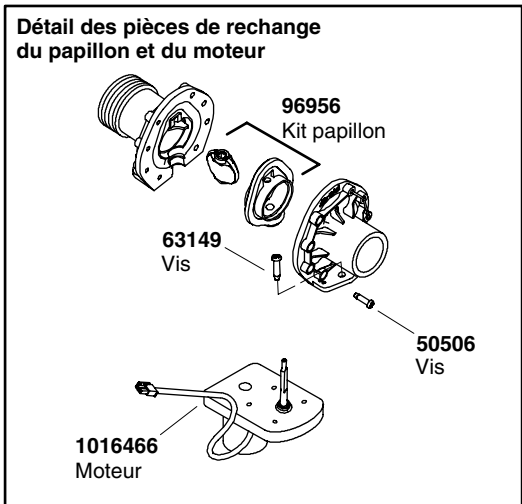
Voir ci-dessous pour le service détaillé des pièces, vis papillon et moteur.

1019733
Ensemble papillon

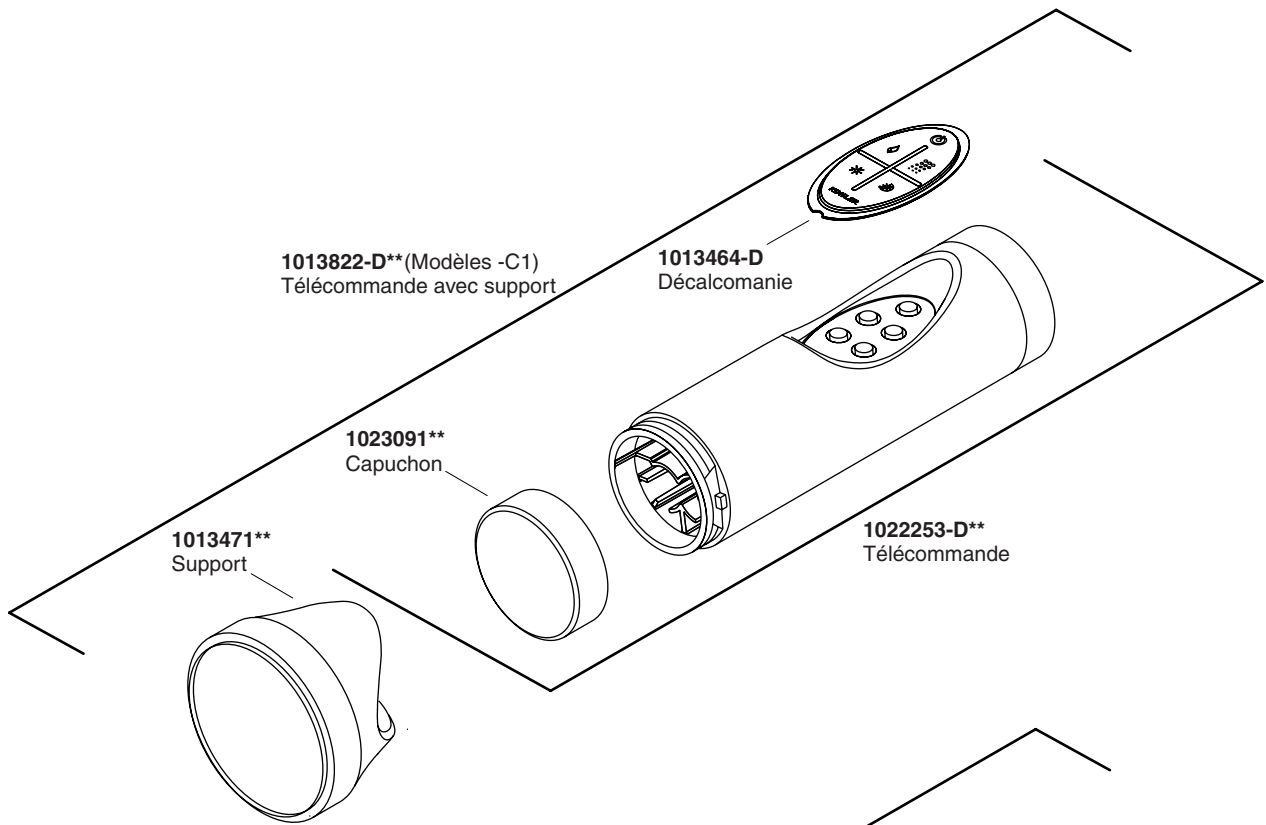
94821
Joint torique

94821
Joint torique

1080774
Ensemble d'union



****Vous devez spécifier les codes de la finition/couleur lors de la commande.**



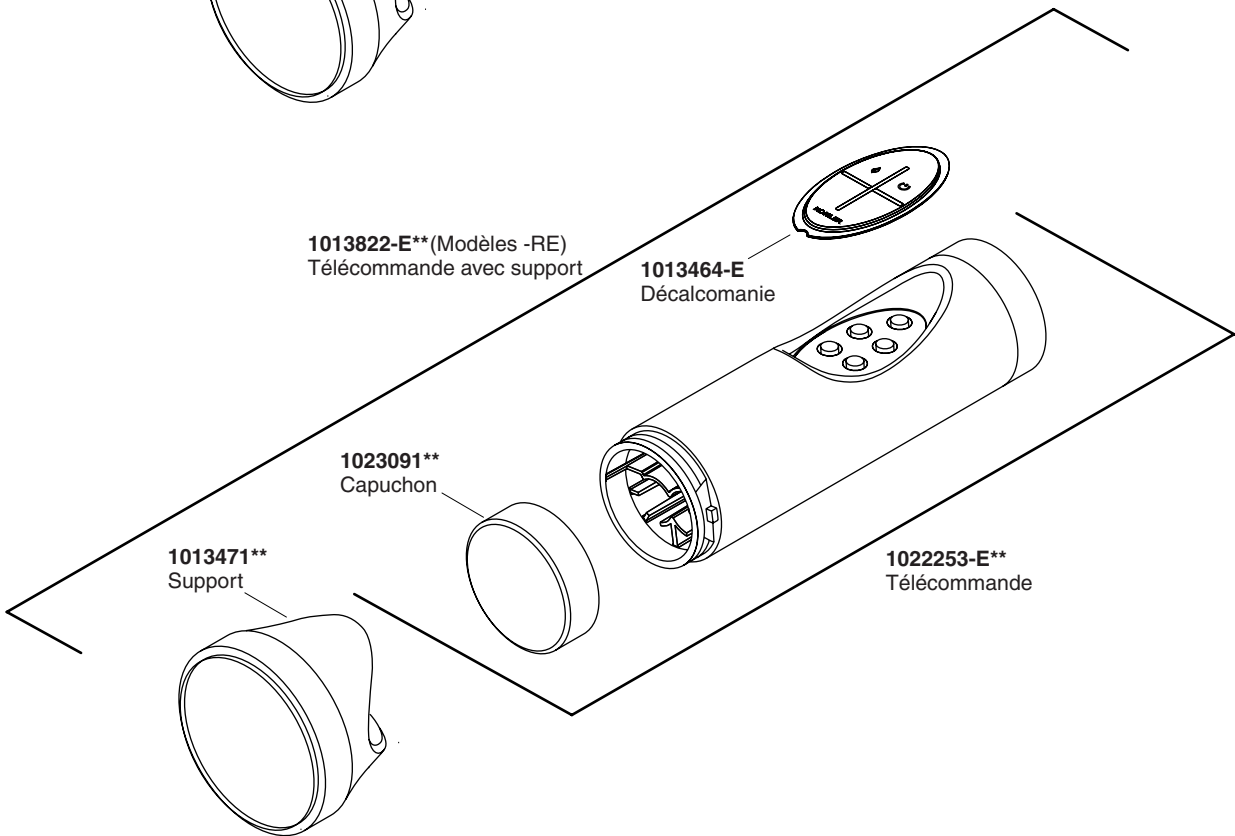
1013822-D**(Modèles -C1)
Télécommande avec support

1013464-D
Décalcomanie

1023091**
Capuchon

1013471**
Support

102253-D**
Télécommande



1013822-E**(Modèles -RE)
Télécommande avec support

1013464-E
Décalcomanie

1023091**
Capuchon

1013471**
Support

102253-E**
Télécommande

****Vous devez spécifier les codes de la finition et/ou de la couleur quand vous passez votre commande.**

Guía del usuario

Bañera rebosante

Información importante de seguridad

INSTRUCCIONES RELATIVAS A LOS RIESGOS DE INCENDIO, DESCARGA ELÉCTRICA O LESIONES PERSONALES

LEA Y SIGA TODAS LAS INSTRUCCIONES

GUARDE ESTAS INSTRUCCIONES



ADVERTENCIA: Al usar esta unidad, siga siempre las precauciones básicas, incluyendo las siguientes:



PELIGRO: Riesgo de lesiones personales. Para reducir el riesgo de lesiones, no permita que los niños usen este producto sin la estricta supervisión en todo momento.



ADVERTENCIA: Riesgo de lesiones personales. Para evitar lesiones, tenga cuidado al entrar y salir de la bañera de hidromasaje.



ADVERTENCIA: Riesgo de descarga eléctrica. No coloque aparatos eléctricos (como secador de pelo, lámparas, teléfono, radio o televisión) a menos de 5' (1,5 m) de esta bañera de hidromasaje.



ADVERTENCIA: Riesgo de hipertermia. Las personas bajo tratamiento médico o que padezcan de alguna condición médica deben consultar con un médico antes de utilizar una bañera de hidromasaje equipada con un calentador.



ADVERTENCIA: El uso de alcohol, drogas o medicamentos puede aumentar enormemente el riesgo de sufrir hipertermia fatal. La inmersión prolongada en agua caliente puede producir hipertermia. La hipertermia ocurre cuando la temperatura interna del cuerpo alcanza un nivel superior a la temperatura corporal normal de 98°F (37°C). Los efectos de la hipertermia incluyen: (a) incapacidad para percibir calor, (b) incapacidad para reconocer la necesidad de salir de la bañera, (c) inconsciencia de un peligro inminente, (d) daño al feto en mujeres embarazadas, (e) inhabilidad física para salir de la bañera y (f) pérdida del conocimiento con peligro de ahogarse.

Use esta unidad únicamente con el fin para el que se ha fabricado, tal como se explica en este manual. No use accesorios que no estén recomendados por Kohler.

No permita que esta unidad funcione sin la guarda (tapa) de la conexión de succión.

No deje caer ni introduzca objetos en ninguna de las aberturas. Mantenga los objetos pequeños como los juguetes y los accesorios de baño fuera de la unidad cuando esté en funcionamiento.

¡IMPORTANTE! Limpie el sistema de recirculación dos o más veces al mes, dependiendo del uso, tal como se describe en la sección "Limpie el sistema".

El uso constante de productos de higiene personal que contengan aceites puede dañar a los componentes plásticos de la unidad. No utilice champús a base de productos vegetales ni aceites de baño.

La unidad debe conectarse solamente a un circuito protegido con un interruptor de circuito con pérdida a tierra (GFCI) o por un dispositivo de corriente residual (RCD). El instalador debe proveer el interruptor de protección GFCI o RCD, cuyo funcionamiento debe probarse de manera rutinaria.

Para probar el interruptor GFCI o RCD, oprima el botón de prueba (test). El interruptor de protección GFCI

Información importante de seguridad (cont.)

o RCD debe interrumpir la alimentación eléctrica. Oprima el botón de restablecer la alimentación eléctrica (reset). Esto debe restablecer la alimentación eléctrica.

Si el GFCI o RCD no funciona de esta manera, significa que existe corriente a tierra, indicando la posibilidad de una descarga eléctrica. No use esta unidad. Desconecte la unidad y solicite que a un representante de servicio autorizado solucione el problema.

La acción del agua en este producto hará que el jabón y el champú espumen. Por este motivo, recomendamos que no use líquidos para baños de burbujas. Evite emplear estos productos de manera excesiva.

Tenga cuidado si camina o se desplaza dentro de la bañera. Las superficies plásticas son resbaladizas cuando están mojadas.

La temperatura del agua en la unidad no debe exceder 104°F (40°C), o de lo contrario, el calentador no funcionará.

Su bañera de hidromasaje nueva ha sido incluida en la lista de los laboratorios Underwriters, para mayor seguridad y la de su familia. Asimismo, su nueva unidad cumple con las estrictas normas del ANSI e IAPMO establecidas dentro de la industria de plomería.

Gracias por elegir los productos Kohler

Gracias por elegir los productos Kohler. Su producto de Kohler Company refleja la verdadera pasión por el diseño, la mano de obra, la artesanía y la innovación que forman parte de Kohler Company. Estamos seguros que su confiabilidad y belleza excederán sus más altas expectativas, dándole satisfacción por años.

Toda la información que aparece en la guía está basada en la información más reciente disponible al momento de publicación. En Kohler Company, nos esforzamos por alcanzar nuestra misión de mejorar el nivel del buen vivir de quienes disfrutan de nuestros productos y servicios. Nos reservamos el derecho de efectuar cambios en las características, embalaje o disponibilidad del producto en cualquier momento, sin previo aviso.

Dedique unos minutos para leer esta guía. Preste especial atención a las instrucciones de cuidado y limpieza.

Conformidad del control remoto

ID de la FCC: N82-KOHLER001 – Declaración de conformidad (Sección 15.19)

Este equipo cumple con lo establecido en la sección 15 de las normas de la FCC. El funcionamiento está sujeto a las dos condiciones siguientes:

1. Este aparato no debe causar interferencias perjudiciales, y
2. Este equipo debe aceptar cualquier interferencia recibida, incluyendo las interferencias que causen un funcionamiento no deseado.

Advertencia (Sección 15.21)

Cualquier modificación o cambio que no haya sido aprobado expresamente por la parte responsable de la conformidad puede anular el derecho del usuario de utilizar el producto.

Declaración de conformidad de la FCC (Sección 15.105 (b))

Este equipo ha sido probado y se ha encontrado que cumple con los límites de un aparato digital Clase B, en cumplimiento con la sección 15 de las normas de la FCC. Estos límites están diseñados para proveer protección razonable contra la interferencia perjudicial en una instalación residencial. Este equipo genera, usa y puede radiar energía de radiofrecuencia y, si no se instala y utiliza en cumplimiento con las instrucciones, puede causar interferencia perjudicial a las comunicaciones de radio. Sin embargo, no se garantiza que la interferencia no ocurrirá en una instalación particular. Si este equipo causa interferencia perjudicial a la recepción de radio o televisión, lo que se puede determinar encendiendo y apagando el equipo, se anima al usuario a que trate de corregir la interferencia mediante una de las siguientes medidas:

Conformidad del control remoto (cont.)

- Cambie la orientación o el lugar de la antena receptora.
- Aumente la separación entre el equipo y el receptor.
- Conecte el equipo a un tomacorriente en un circuito diferente del que utiliza el receptor.
- Consulte con el distribuidor o con un técnico con experiencia en radio/televisión para obtener ayuda.

Advertencia sobre la exposición a la radiofrecuencia

Este transmisor portátil con su antena cumple con los límites de exposición de radiofrecuencia (RF) de la FCC para la exposición no controlada/población general.

Este dispositivo no debe ubicarse ni hacerse funcionar con ninguna otra antena o transmisor.

IC DE CANADÁ: 4554A-KOHLER001

Declaración de la industria de Canadá según la sección 4.0 de RSP-100

El término "IC:" antes de la certificación/número de registro sólo significa que satisface las especificaciones técnicas de la Industria de Canadá.

Sección 7.1.5 de RSS-GEN

El funcionamiento está sujeto a las dos condiciones siguientes:

1. Este equipo no debe causar interferencias perjudiciales, y
2. Este equipo debe aceptar cualquier interferencia, incluyendo las interferencias que causen un funcionamiento no deseado.

Sección 2.6 de RSS-102

Este transmisor portátil con su antena cumple con los límites de exposición de radiofrecuencia (RF) de la Industria de Canadá para la exposición no controlada/población general.



20 de marzo de
2003

03

DECLARACIÓN DE CONFORMIDAD CE

444 Kohler Co. Highland Drive
Kohler, WI 53044
EE.UU.

declaramos, bajo nuestra exclusiva responsabilidad que nuestros controles remotos HomeSpa, modelos 1703, 1705, 1706, y 1013822 a los que se refiere esta declaración, están conformes con las normas siguientes:

ETSI EN 300 220-3: 2001 Cuestiones de radiofrecuencia de los dispositivos de corto alcance (SRD) que funcionan entre 25 MHz y 1000 MHz según las disposiciones de la directiva de R&TTE 1999/5/CE

ETSI EN301 489-3: 2002 Compatibilidad electromagnética (EMC) para dispositivos de corto alcance que funcionan entre 9 kHz y 40 GHz
CISPR 14:2001 Emisiones radiadas - electrodomésticos
IEC 61000-4-2: 2001 Descarga electrostática
IEC 61000-4-3: 2002 Inmunidad radiada de RF

según las disposiciones de la Directiva de Compatibilidad Electromagnética 89/336/CEE del 3 de mayo de 1989 modificada por la directiva 92/31/CEE del 28 de abril de 1992 y la directiva 93/68/CEE, artículo 5 del 22 de julio de 1993.

El abajo firmante declara por la presente que el equipo especificado más arriba está conforme con las directivas y normas mencionadas

Timothy Stessman
Analista de proyecto
Kohler Co
444 Highland Drive
Kohler, WI 53044
EE.UU.

Teléfono: 920.457.4441
Fax: 920.453.6305

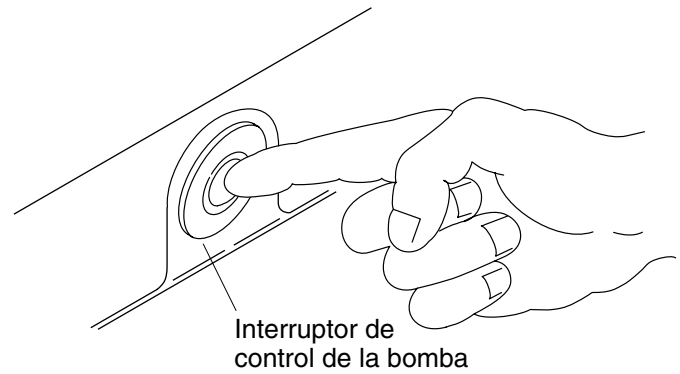
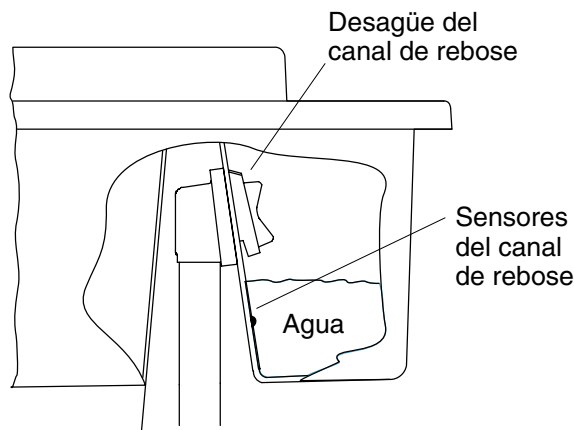
Nota 1: puede que el número de modelo esté seguido de sufijos y tenga el nombre Kallista®.

Representante autorizado
en la Comunidad:

Sr. Christophe Grzesiek
Kohler France
Z.I des Ecrevolles B.P. 39
10901 Troyes Cedex 9
FRANCIA

Teléfono: +33 3 25 70 45 70
Fax: +33 3 25 76 14 70

Enunciado de declaración



Su bañera rebotante

Su nueva bañera rebotante representa el renacimiento del placer de la hidroterapia diferente a lo que haya probado antes. La bañera rebotante transformará su cuarto de baño o spa de su casa, en un lugar de tranquilidad, rejuvenecimiento y elegancia que podrá disfrutar durante muchos años. La bañera rebotante creará un ambiente de relajación y serenidad con la inmersión total del cuerpo, el agua de la cascada y el suave movimiento del agua en su baño o spa de su casa. El flujo de agua tibia y relajante, y la acción suave de las burbujas efervescentes se combinan con las suntuosas líneas de la cascada para crear un lugar donde relajarse del cansancio y de las preocupaciones del día.

Si usted es como la mayor parte de las personas que instalan una bañera rebotante de Kohler, apenas podrá resistir la tentación de probarla de inmediato. Descubrirá pronto que las funciones y controles son fáciles de usar, ofreciéndole una experiencia personal segura y completamente relajante. Tome unos minutos para leer estas simples instrucciones de funcionamiento, entonces estará listo para comenzar.

Funcionamiento de la bañera rebotante

- Retire de la unidad todos los artículos sueltos (como las barras de jabón, los botes de champú y las esponjas).

NOTA: No utilice cantidades excesivas de jabón o champú durante el funcionamiento de la bañera rebotante. Es posible utilizar champú y jabón al ducharse, antes de llenar la unidad.

- Asegúrese de que la rejilla metálica de succión esté limpia y colocada correctamente sobre la tapa plástica de succión.
- Cierre el desagüe.

NOTA: La temperatura del agua en la bañera no debe exceder de 104°F (40°C). El calentador en línea se apagará automáticamente conforme la temperatura del agua alcance los 104°F (40°C) y permanecerá apagado hasta que el agua se enfríe.

NOTA: El calentador en línea ayudará a mantener la temperatura del agua durante el funcionamiento de la bañera rebotante. Llene siempre la unidad con agua a la temperatura que le parezca agradable.

- Llene la unidad con agua a un nivel donde los sensores del canal de rebose estén completamente cubiertos y el agua del área de la bañera corra al desagüe del canal de rebose.
- La luz verde del interruptor de control de la bomba automáticamente comienza a parpadear 1/2 minuto después de que los sensores del canal de rebose se encuentren sumergidos. Esto indica que la bomba/motor está lista para comenzar el funcionamiento.
- Llene la unidad de 4" (10,2 cm) a 6" (15,2 cm) arriba del borde del área de la bañera.

NOTA: Al igual que con cualquier otra bañera, entre en la bañera lentamente para evitar derramar agua. Esto permitirá que el sistema desagüe correctamente el exceso de agua.

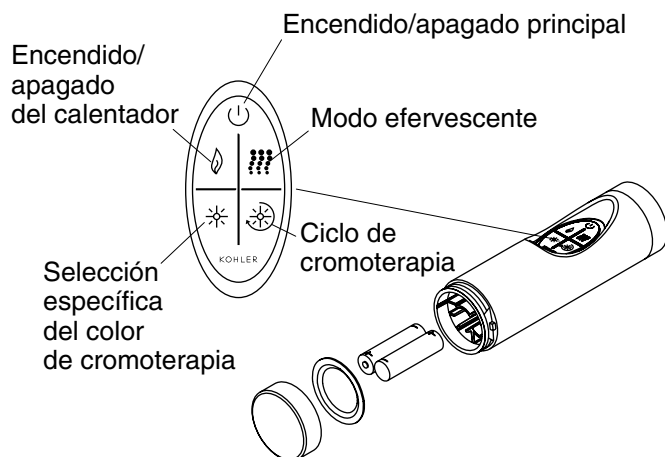
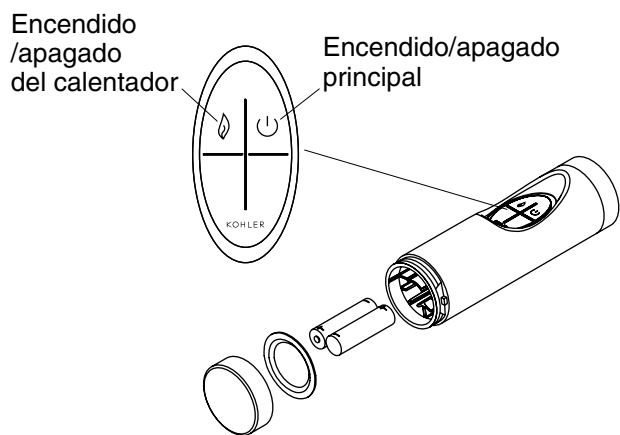
Su bañera rebosante (cont.)

NOTA: Tenga cuidado si camina o se desplaza dentro de la bañera. Las superficies plásticas son resbaladizas cuando están mojadas.

- Entre en la bañera lentamente y luego oprima el interruptor de control de la bomba para encender la bomba/motor e iniciar así el funcionamiento.
- Una vez que la bomba/motor se encienda y el agua comience a circular, la luz verde del interruptor de control de la bomba cambiará a verde constante y permanecerá encendida mientras la bañera rebosante esté en funcionamiento.
- Vuelva a oprimir el interruptor del control de la bomba para apagar la bañera rebosante. La luz verde del interruptor de la bomba empezará a parpadear automáticamente hasta que la bañera rebosante se vacíe por debajo de los sensores del canal de rebose o se vuelva a encender.
- Después de aproximadamente 20 minutos de funcionamiento continuo, un temporizador integrado parará automáticamente la bomba/motor.

Funcionamiento de las luces de cromoterapia

- Si las luces de cromoterapia están apagadas, oprima el botón del interruptor de control de la luz (ubicado al lado opuesto del interruptor de control de la bomba). Las luces de cromoterapia empezarán a cambiar de color (modo de barrido). El interruptor de control de las luces se ilumina intermitente en azul en el modo de barrido.
- Si desea, oprima el interruptor de control de las luces para bloquear un color constante. En este modo, el interruptor de control de las luces se ilumina constante en azul.
- Oprima el botón de control de las luces para apagar las luces de cromoterapia.



Control remoto

El control remoto impermeable está diseñado para usarse en la bañera y flota en el agua. El control remoto pone al alcance de su mano todas las funciones de la bañera para realzar aún más la experiencia del baño. Las funciones del control remoto son idénticas a las del teclado.

NOTA: Hay dos tipos de control remoto disponibles: (1) una unidad básica que controla la alimentación eléctrica y el calentador o (2) una unidad mejorada que controla la cromoterapia y la efervescencia. Identifique su tipo de control remoto, luego siga las instrucciones que apliquen.

NOTA: El calentador no funcionará si la bomba está apagada.

Unidad básica

Encendido/ Apagado principal	Enciende y apaga la bomba.
Calentador	Enciende y apaga el calentador. El anillo indicador aparecerá en verde claro o verde amarillo cuando el calentador está apagado y en verde oscuro cuando el calentador está encendido.

Unidad mejorada

Encendido/ Apagado principal	Enciende y apaga la bomba.
Calentador	Enciende y apaga el calentador. El anillo indicador aparecerá en verde claro o verde amarillo cuando el calentador está apagado y en verde oscuro cuando el calentador está encendido.
Modo efervescente	Oprima el icono de hidromasaje efervescente para apagar la bomba y activar el modo efervescente. Oprima el icono de hidromasaje efervescente otra vez para encender la bomba.
Ciclo de cromoterapia	Oprima el icono del ciclo de cromoterapia para activar y ciclar las luces de cromoterapia.
Color específico de cromoterapia	Oprima el icono del color específico de cromoterapia para bloquear un color de luz de cromoterapia individual.

Pilas

- **Para instalar o reemplazar las pilas:** Desenrosque la tapa, luego inserte dos pilas AAA (no provistas) como se ilustra. Apriete con seguridad la tapa, asegurándose de que la tapa haga contacto con el sello.

Programación

Control remoto (cont.)

NOTA: Si se reemplazó el control remoto o el control de la bomba, es necesario programar el control remoto.

NOTA: El interruptor que controla la alimentación eléctrica a la bañera rebosante debe estar apagado. Efectúe los pasos siguientes tres minutos después de restablecer la alimentación eléctrica.

- Apague el interruptor que controla la alimentación eléctrica a la bañera rebosante. Active el interruptor. El interruptor de control de la bomba parpadeará durante tres minutos entre amarillo y verde.
- Oprima el interruptor de control de la bomba. El interruptor del control de la bomba parpadeará en verde.

NOTA: Oprima cualquier botón en el control remoto dentro de tres minutos para asegurar que el bañera rebosante responda al control remoto.

- Oprima cualquier botón en el control remoto. La bañera rebosante sólo responderá a este control remoto.

Cuidado y limpieza

Para obtener los mejores resultados, tenga presente lo siguiente al limpiar su producto KOHLER:

- Siempre pruebe la solución de limpieza en un área oculta antes de aplicarla a toda la superficie.
- Limpie con un trapo las superficies y enjuague completa e inmediatamente con agua después de aplicar el limpiador. Enjuague y seque las superficies cercanas que se hayan rociado.
- No deje por tiempo prolongado los limpiadores en las superficies.
- Utilice una esponja o trapo suave y húmedo. Nunca utilice materiales abrasivos como cepillos o estropajos de tallar para limpiar las superficies.

Para obtener información detallada de limpieza y los limpiadores a considerar, visite www.kohler.com/clean. Para solicitar información sobre el cuidado y la limpieza, llame al 1-800-456-4537.

Limpieza del sistema

NOTA: Limpie el sistema de hidromasaje dos o más veces al mes, dependiendo del uso.

- Asegúrese de que la rejilla metálica de succión esté limpia y colocada correctamente sobre la tapa plástica de succión.
- Llene la bañera con agua caliente hasta que el agua se desborde del borde del área de la bañera y fluya en el canal de rebose y al desagüe, cubriendo por completo ambos sensores del canal de rebose. La luz verde del interruptor de control de la bomba empezará a parpadear automáticamente 1/2 minuto después de que los sensores del canal de rebose se encuentren sumergidos por completo.
- Añada 2 cucharaditas de detergente para lavaplatos que espume poco y 20 onzas (590 ml) de blanqueador de uso doméstico al agua.
- Oprima el interruptor de control de la bomba y ponga la unidad en marcha de 5 a 10 minutos.
- Oprima el interruptor del control de la bomba por segunda vez para apagar la unidad.
- Vacíe la unidad completamente.
- Seque la superficie con un paño limpio y suave.

Garantía

GARANTÍA LIMITADA DE UN AÑO

Se garantiza que los productos de plomería KOHLER están libres de defectos de material y mano de obra por un año a partir de la fecha de instalación.

Garantía (cont.)

Kohler Co., a su criterio, reparará, reemplazará o realizará los ajustes pertinentes en los casos en que la inspección realizada por Kohler Co. determine que dichos defectos ocurrieron durante el uso normal en el transcurso de un (1) año a partir de la fecha de la instalación. Kohler Co. no se hace responsable de los gastos de desinstalación o instalación. **El uso de limpiadores de inodoro que se colocan dentro del tanque anulará la garantía.**

Para obtener el servicio de garantía, comuníquese con Kohler Co. a través de su distribuidor, contratista de plomería o distribuidor a través de Internet, o escriba directamente a: Kohler Co., Attn.: Customer Care Center, 444 Highland Drive, Kohler, WI 53044, U.S.A. o llame al 1-800-4KOHLER (1-800-456-4537) desde los Estados Unidos y Canadá, o al 001-877-680-1310 desde México.

TODA GARANTÍA IMPLÍCITA EN RELACIÓN A PRODUCTOS DE USO COMERCIAL, INCLUYENDO LA COMERCIALIZACIÓN E IDONEIDAD DEL PRODUCTO PARA UN USO DETERMINADO, SE LIMITA EXPRESAMENTE A LA DURACIÓN DE LA PRESENTE GARANTÍA. KOHLER CO. Y/O EL VENDEDOR NO SE HACEN RESPONSABLES POR CONCEPTO DE DAÑOS PARTICULARES, INCIDENTALES O INDIRECTOS. Algunos estados/provincias no permiten limitaciones en cuanto a la duración de una garantía implícita o a la exclusión o limitación de daños particulares, incidentales o indirectos, por lo que estas limitaciones y exclusiones pueden no aplicar a su caso. Esta garantía le otorga ciertos derechos legales específicos. Además, usted puede tener otros derechos que varían de estado a estado y provincia a provincia.

El presente documento constituye la garantía exclusiva por escrito de Kohler Co.

Garantía de un año

KOHLER CO.

Al adquirir el producto, se recomienda verificar que todos los accesorios y componentes estén completos en la caja.

Kohler Co. garantiza que el material y la mano de obra de este producto están libres de defectos, por un (1) año, a partir de la fecha de compra que aparece en la factura o recibo.

1. Kohler Co. prestará servicio únicamente a los productos comercializados a través de sus distribuidores autorizados.
2. A fin de obtener el servicio de garantía, favor de presentar la factura de compra y la garantía correspondiente.
3. Kohler Co., a través de sus distribuidores autorizados, se compromete a reparar el producto defectuoso o a reemplazarlo por uno nuevo o equivalente (en caso de que el producto esté descontinuado) cuando no sea posible la reparación, sin ningún cargo al consumidor.
4. El tiempo de reparación no excederá de seis (6) semanas, a partir de la fecha de recepción del producto.
5. Se recomienda al consumidor que conserve el recibo o factura de compra como protección adicional, pues el mismo puede sustituir a la garantía, en caso de que exista discrepancia en cuanto a la validez de la misma.

EXCEPCIONES Y RESTRICCIONES

La garantía no tendrá validez en los siguientes casos:

1. Cuando el producto no se haya utilizado conforme a las instrucciones de uso y funcionamiento incluidas en el manual del usuario o en las instrucciones de instalación y cuando no se hayan observado las recomendaciones y advertencias allí contenidas.
2. Cuando el producto se haya modificado o desmantelado parcial o totalmente; o manipulado de manera negligente y, como consecuencia, haya sufrido daños atribuibles al consumidor, persona o herrajes no autorizados por Kohler Co.
3. Esta garantía no cubre los daños que resulten de desastres naturales, tales como incendios o casos de fuerza mayor, incluyendo inundaciones, terremotos, tormentas eléctricas, etc. Para obtener una lista de distribuidores cerca de usted y así hacer valer sus derechos bajo esta garantía, llame al 001-877-680-1310.

KOHLER CO., KOHLER, WI 53044 U.S.A.

Garantía de un año (cont.)

IMPORTADOR:

INTERNACIONAL DE CERÁMICA, S.A.B. DE C.V.

AV. CARLOS PACHECO NO. 7200

CHIHUAHUA, CHIH., MÉXICO C.P. 31060

TEL: 52 (14) 29-11-11

Procedimiento para resolver problemas

Para obtener servicio cubierto por la garantía, póngase en contacto con el vendedor o el distribuidor mayorista. Esta guía para resolver problemas está diseñada únicamente para proporcionar ayuda general. Todos los problemas eléctricos deben ser resueltos por un representante de servicio autorizado de Kohler o un electricista calificado.

Síntomas	Causas probables	Acción recomendada
1. La luz verde del interruptor de la bomba se enciende de forma intermitente antes de que la bañera esté llena.	<p>A. El surtidor vierte el agua directamente en el canal de rebose.</p> <p>B. Una o ambas válvulas de mariposa no funcionan.</p> <p>C. El control no funciona.</p>	<p>A. Ajuste o reinstale el surtidor para que llene directamente dentro de la bañera. Consulte al vendedor/instalador.</p> <p>B. Verifique el cableado de la válvula de mariposa o reemplace las válvulas de mariposa. Consulte al vendedor/instalador.</p> <p>C. Verifique el cableado o reemplace el control. Consulte al vendedor/instalador.</p>
2. La unidad no se enciende.	<p>A. La unidad no tiene alimentación eléctrica.</p> <p>B. El agua no cubre los sensores del canal de rebose.</p> <p>C. El interruptor de control de la bomba no se enciende ni se ilumina de forma intermitente cuando la bañera está llena o en funcionamiento.</p> <p>D. El motor/bomba no funciona.</p> <p>E. El control no funciona.</p>	<p>A. Restablezca la alimentación eléctrica a la unidad, o solucione el problema que ha causado el corte de alimentación eléctrica. Consulte al vendedor/instalador.</p> <p>B. Llene la bañera hasta que el agua se desborde por el borde de la bañera, al canal de rebose, y cubra los sensores del canal de rebose. Se recomienda llenar hasta el rebosadero de desagüe.</p> <p>C. Verifique el cableado o reemplace el interruptor de control de la bomba. Consulte al vendedor/instalador.</p> <p>D. Repare o reemplace el motor/bomba. Consulte al vendedor/instalador.</p> <p>E. Verifique el cableado o reemplace el control. Consulte al vendedor/instalador.</p>
3. El agua no cascadea uniformemente de todo el borde del área de la bañera.	<p>A. La unidad no está nivelada.</p> <p>B. Los puertos de la bañera están obstruidos.</p> <p>C. La rejilla metálica de succión está obstruida.</p>	<p>A. Nivele la unidad usando la llave provista para girar las patas ajustables hacia arriba o hacia abajo según sea necesario.</p> <p>B. Elimine la obstrucción.</p> <p>C. Limpie la rejilla metálica de succión.</p>

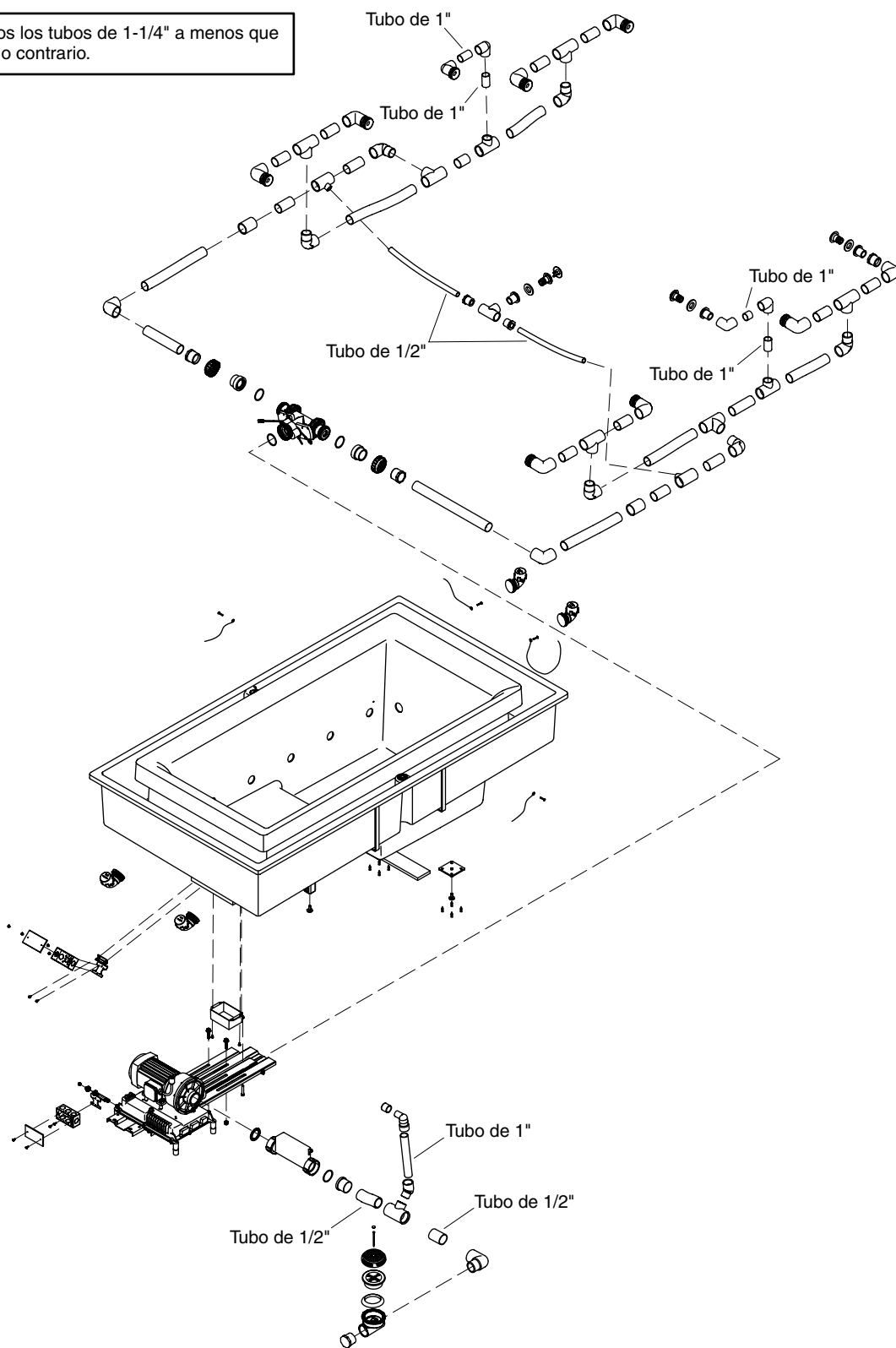
Procedimiento para resolver problemas (cont.)

Síntomas	Causas probables	Acción recomendada
<p>4. La unidad se detiene automáticamente antes de 18 minutos.</p>	<p>A. El interruptor de circuito GFCI/RCD se dispara.</p> <p>B. El motor se ha sobrecalentado, activando el dispositivo de protección.</p> <p>C. Durante el funcionamiento, el nivel del agua desciende por debajo de los sensores del canal de rebose (el anillo "amarillo" del interruptor de la bomba se ilumina intermitentemente).</p>	<p>A. Identifique la causa de la pérdida a tierra y solucione el problema. Consulte al vendedor/instalador.</p> <p>B. Verifique que las ventilaciones del motor no estén obstruidas. Deje enfriar el motor y luego elimine la obstrucción. Verifique que la rejilla metálica de succión no esté tapada, y deje enfriar el motor antes de volver a encenderlo. Verifique que no haya obstrucciones en los puertos de la bañera. Retire la obstrucción y deje enfriar el motor antes de volver a encenderlo.</p> <p>C. Llene la bañera hasta que el agua se desborde por el borde de la bañera, al canal de rebose, y cubra los sensores del canal de rebose. Se recomienda llenar hasta el rebosadero de desagüe. Asegúrese de que el tapón de desagüe se cierre correctamente.</p>
<p>5. Funcionamiento ruidoso.</p>	<p>A. La rejilla metálica de succión no está colocada sobre la tapa plástica de succión.</p> <p>B. El nivel de agua en el canal de rebose es insuficiente.</p> <p>C. El motor/bomba hace ruido.</p>	<p>A. Coloque la rejilla metálica de succión sobre la tapa plástica de succión para evitar la cavitación.</p> <p>B. Llene la bañera hasta que el agua se desborde por el borde de la bañera, al canal de rebose, y cubra los sensores del canal de rebose. Se recomienda llenar hasta el rebosadero de desagüe. Asegúrese de que el tapón de desagüe se cierre correctamente.</p> <p>C. Asegúrese de que se hayan cortado las cintas metálicas del motor/bomba.</p>
<p>6. La temperatura del agua desciende notablemente durante los 20 minutos de funcionamiento.</p>	<p>A. El disyuntor de seguridad del calentador se ha disparado. La luz indicadora debe permanecer encendida durante el funcionamiento.</p> <p>B. El calentador no funciona.</p>	<p>A. Presione el botón de restablecer el GFCI/RCD.</p> <p>B. Verifique el cableado o reemplace el calentador. Consulte al vendedor/instalador.</p>
<p>7. Las luces de cromoterapia no funcionan.</p>	<p>A. El arnés de cableado está dañado.</p> <p>B. El control no funciona.</p>	<p>A. Revise el arnés de cableado. Consulte al vendedor/instalador.</p> <p>B. Revise el cableado o reemplace el control. Consulte al vendedor/instalador.</p>
<p>8. El control remoto no funciona.</p>	<p>A. Pilas mal instaladas o descargadas.</p> <p>B. La antena del arnés de cables está dañada.</p> <p>C. El control remoto no se ha programado correctamente.</p> <p>D. El control remoto no funciona.</p> <p>E. El control no funciona.</p>	<p>A. Reemplace las pilas.</p> <p>B. Reemplace el arnés de cables. Consulte al vendedor/instalador.</p> <p>C. Consulte la guía del usuario o el manual de servicio del control remoto.</p> <p>D. Reemplace el control remoto. Consulte al vendedor/instalador.</p> <p>E. Reemplace el control. Consulte al vendedor/instalador.</p>

Procedimiento para resolver problemas (cont.)

Síntomas	Causas probables	Acción recomendada
9. El agua no llega al borde de la bañera una vez llena.	<ul style="list-style-type: none">A. La unidad no tiene alimentación eléctrica.B. Los cables de la sonda de nivel están sueltos.C. Las válvulas de mariposa no funcionan.D. El control no funciona.	<ul style="list-style-type: none">A. Active la alimentación eléctrica.B. Revise/vuelva a conectar el cableado. Consulte al vendedor/instalador.C. Verifique los cables; cambie las válvulas de mariposa si es necesario. Consulte al vendedor/instalador.D. Reemplace el control. Consulte al vendedor/instalador.

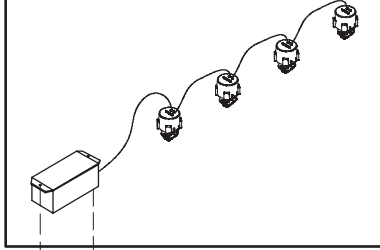
***Nota:** Todos los tubos de 1-1/4" a menos que se indique lo contrario.



****Se debe especificar el código del acabado/color con el pedido.**

Piezas de repuesto

1019933
Luces de cromoterapia



93192
Tornillo

1003773
Placa de nivelación



93192
Tornillo

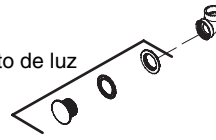
1004779
Tornillo



1005259
Llave



1012821
Alojamiento de luz



1010618
Codo

73519
Sonda de nivel de agua



60129
Tuerca

63270
Arnés de cables

60129
Tuerca

1021777
Arnés de cables

63270
Arnés de cables



1015025 (Modelos -C1)
Montaje de enchufe/cables



1015016 (Modelos -C1)
Montaje de enchufe/cables



1015010 (Modelos -C1,-RE)
Montaje de enchufe/cables



1020078 (Modelos -RE)
Montaje de enchufe/cables



1020079 (Modelos -RE)
Montaje de enchufe/cables



1017879 (Pump)
1017880 (Luz)
Interruptor



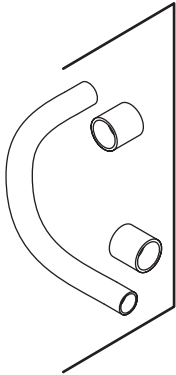
1003771
Bisel

1003772
Alojamiento

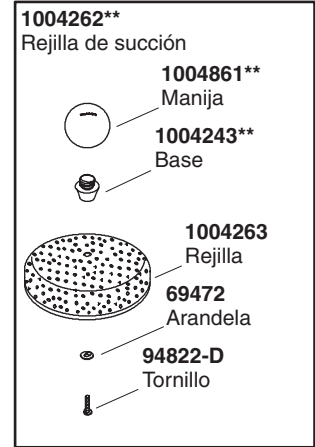
1007931
Medallón



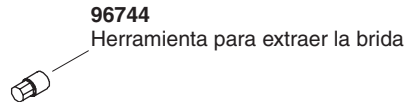
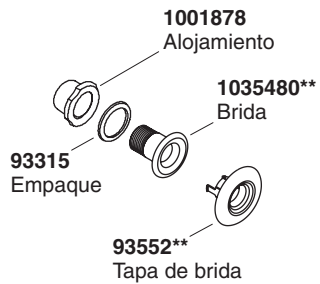
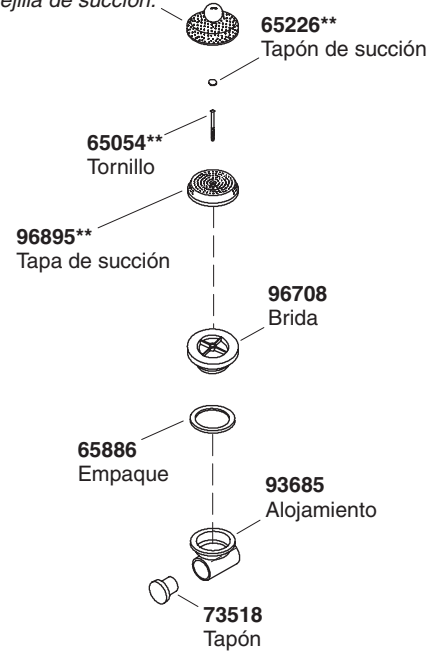
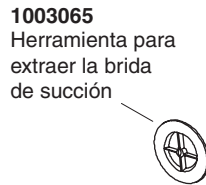
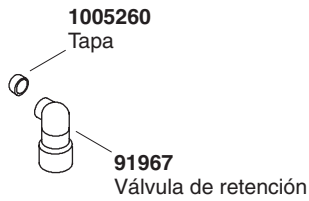
****Se debe especificar el código del acabado/color con el pedido.**



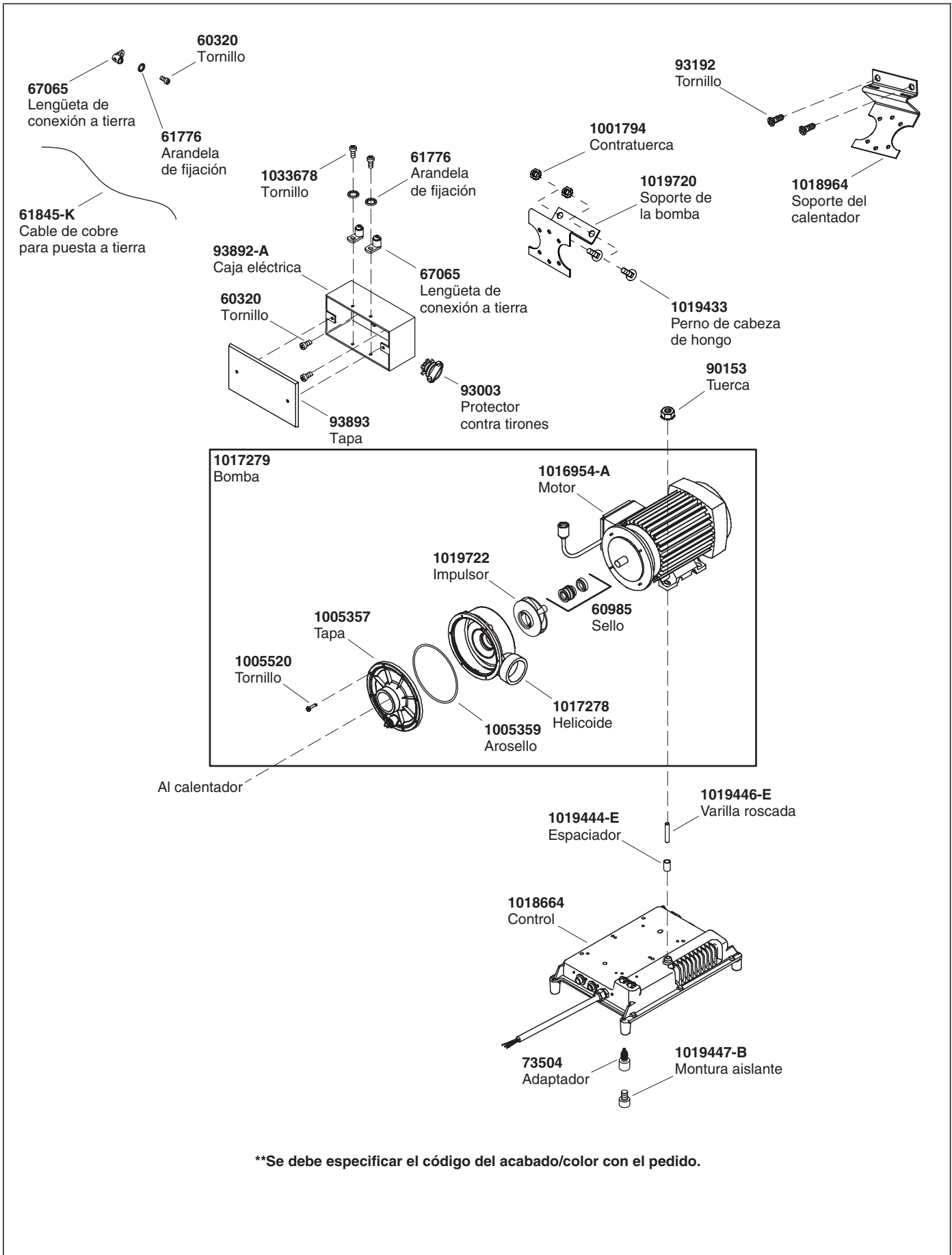
93836 (1/2")
 93838 (1")
 93839 (1-1/4")
 94853 (1-1/2")
 Tubo (con acopladores)

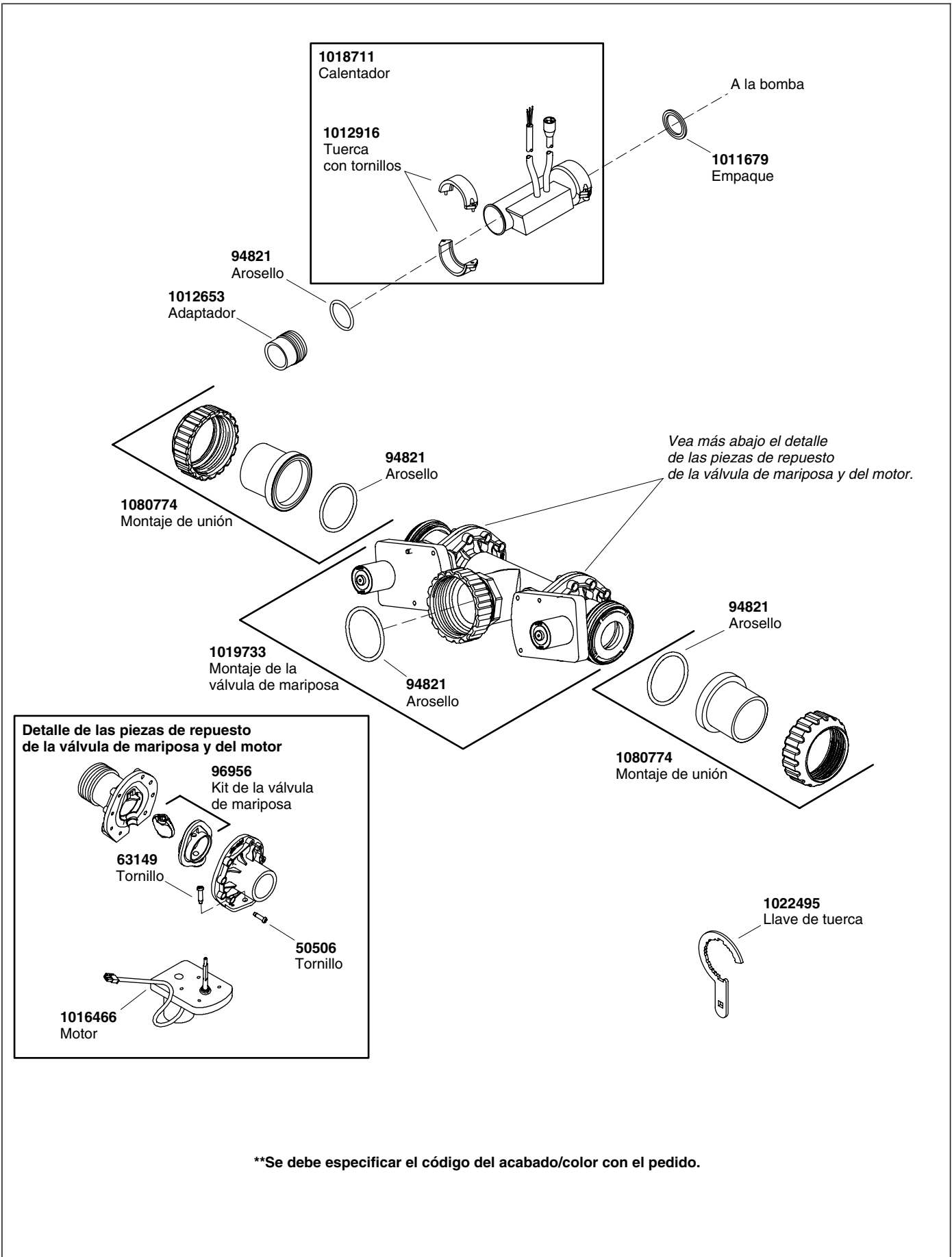


Vea más arriba el detalle de la rejilla de succión.

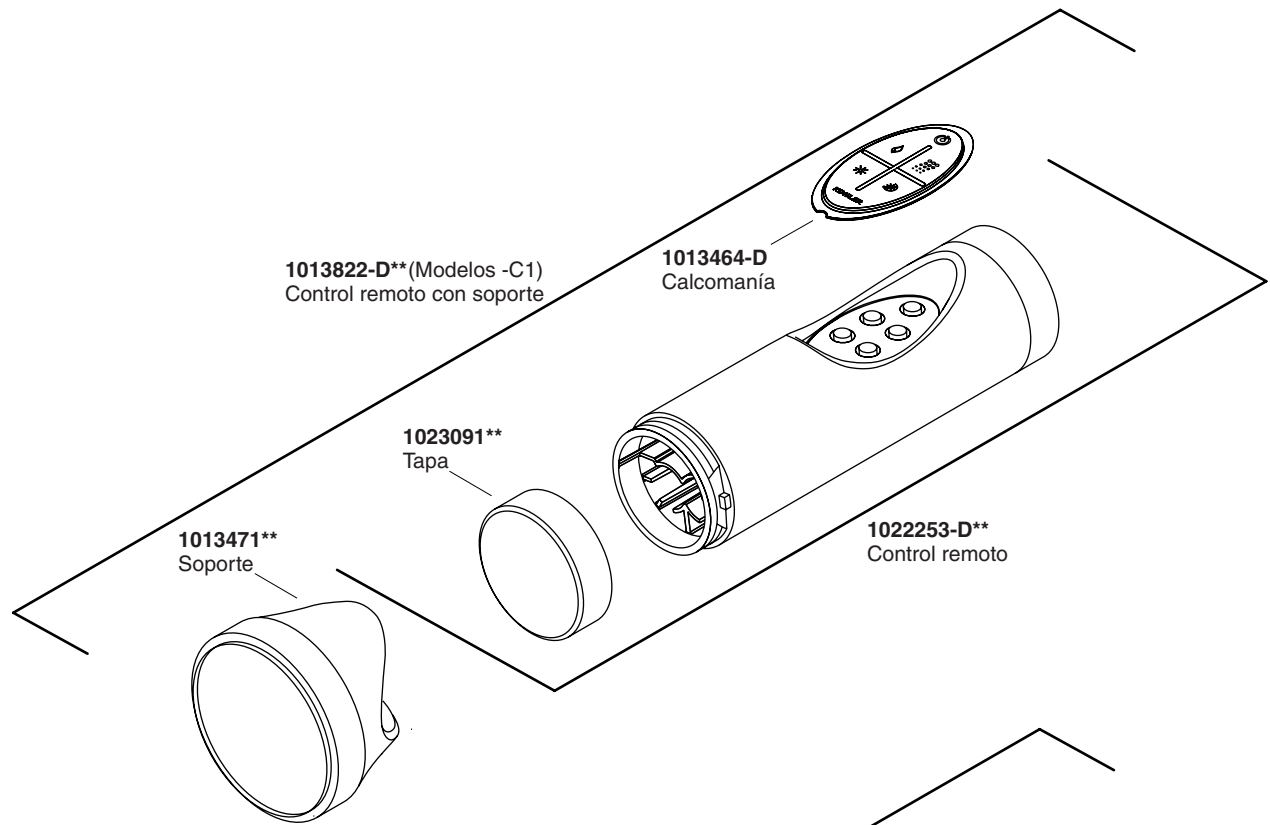


****Se debe especificar el código del acabado/color con el pedido.**





****Se debe especificar el código del acabado/color con el pedido.**



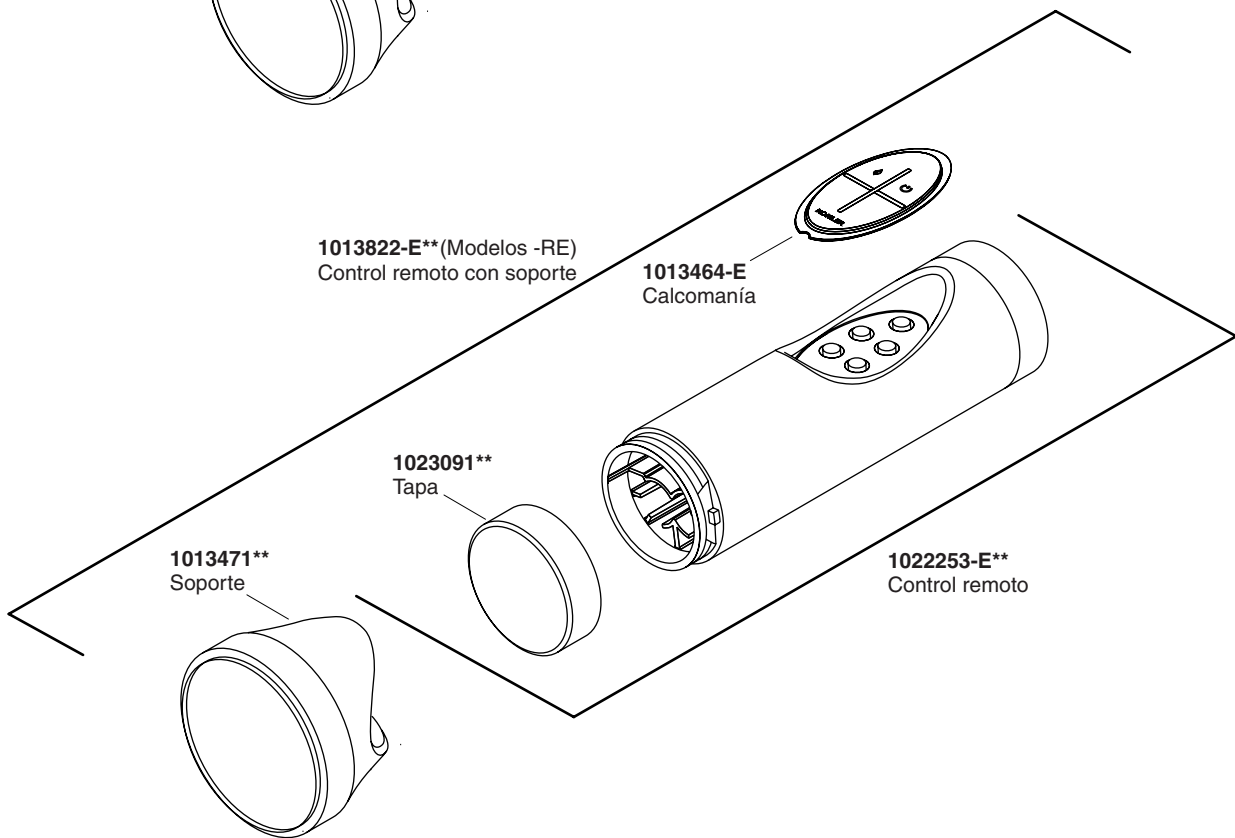
1013822-D** (Modelos -C1)
Control remoto con soporte

1013464-D
Calcomanía

1023091**
Tapa

1013471**
Soporte

1022253-D**
Control remoto



1013822-E** (Modelos -RE)
Control remoto con soporte

1013464-E
Calcomanía

1023091**
Tapa

1013471**
Soporte

1022253-E**
Control remoto

****Se debe especificar el código del acabado/color con el pedido.**

USA/Canada: 1-800-4KOHLER

México: 001-877-680-1310

kohler.com

THE BOLD LOOK
OF **KOHLER**®

©2009 Kohler Co.

1019731-5-D