



Features

- Center drain.
- Cascading water over rim.
- Chromatherapy lighting allows you to select a preferred color scheme to suit your mood.
- Adjustable bath leveling system.
- Two raised molded seats.
- Dual lumbar supports two-person bathing by offering comfort at both ends.
- 103-3/4" (2635 mm) x 41" (1041 mm) x 26" (660 mm)

Material

- Acrylic bath, with gel coat FRP overflow channel.

Hydrotherapy

- Effervescent bubbles with 13 ports.
- Built-in 4000 W heater.

Installation

- Drop-in

Recommended Accessories

- K-1601 Bath/Whirlpool Footstop
- K-7223 Pop-up Bath Drain
- K-922
- K-923 Bath Filler
- K-18486-4 Roman Bath Filler



Codes/Standards

- ASME A112.19.7/CSA B45.10
- CSA B45.5/IAPMO Z124
- ASTM E162
- ASTM E662
- UL 1795
- CSA C22.2 No. 218.2
- Greenguard UL 2818 - Gold
- CARB P2



KOHLER® One-Year Limited Warranty

See website for detailed warranty information.

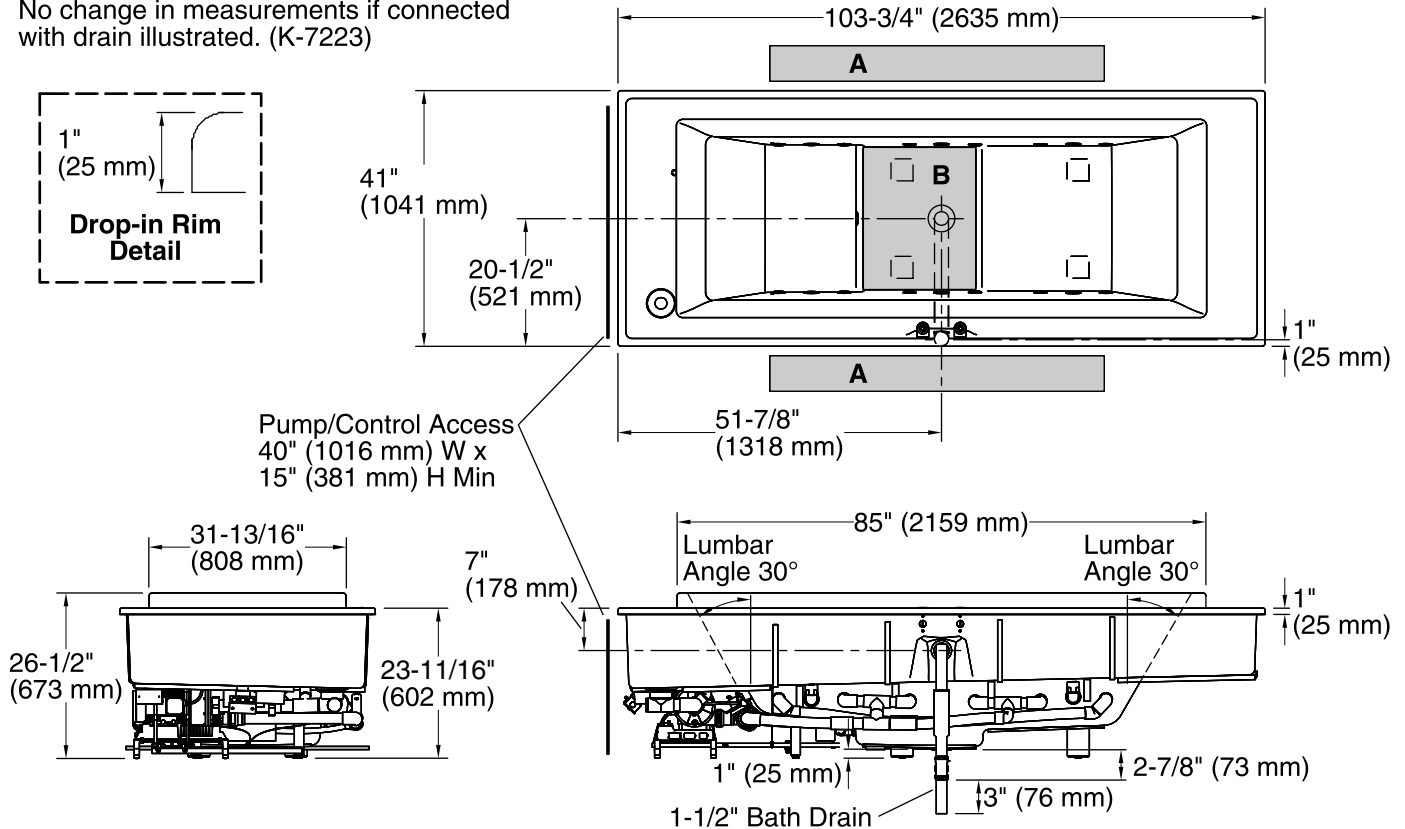
Available Color/Finishes

Color tiles intended for reference only.

Color	Code	Description
-------	------	-------------

- | | | |
|--|----|---------|
|  | 0 | White |
|  | 96 | Biscuit |

No change in measurements if connected with drain illustrated. (K-7223)



Required Electrical Service

Two dedicated circuits required, protected with Class A Ground-Fault Circuit-Interrupter (GFCI) or Residual Current Device (RCD).

Pump: 240 V, 20 A, 50/60 Hz
Heater: 240 V, 20 A, 50/60 Hz

Technical Information

All product dimensions are nominal.

Installation: Drop-in
Drain location: Center
Basin area, bottom: 60" x 25-1/2" (1524 mm x 648 mm)
Basin area, top: 84" x 31-1/2" (2134 mm x 800 mm)
Weight: 375 lbs (170.1 kg)
Minimum floor load: 66 lbs/ft² (322.2 kg/m²)
Water depth: 24-5/8" (625 mm)
Water capacity: 185 gal (700.3 L)
Cutout: Drop-in, 102-1/4" x 40" (2597 mm x 1016 mm)
Electrical component rating: Pump: 240 V, 4 A, 50/60 Hz
Heater: 240 V, 15 A, 50/60 Hz, 4000 W
Pump speed: Variable

Notes

Measure your actual product for rough-in details.

Install this product according to the installation instructions.

The hot water supply should be 70% of the capacity of the bath or greater. Installations will vary.

Recommended spouts for area A: K-T954-4, K-T6906, K-18486-4, K-922 and K-924, or K-923 and K-924.

Recommended spouts for area B: K-922 or K-923.

Unit must be filled through the bathing well.

Consult local and national codes for minimum air gap requirements when installing a spout on the faucet deck.