



Elevance® Rising Wall

5' Bath
K-1913-LBW



Features

- Integral flange.
- Left drain.
- Chair-height bathing seat makes bath easy to enter and exit.
- 14" soaking depth at seat area.
- Rising side wall is easy to lift, requiring less than 5 pounds of force.
- Door glides on a track system with a counterbalance system to make it lightweight.
- Inflatable seal.
- Bath fills within four minutes when using 3/4" supply valve and piping.
- Dual-drain system allows bath to empty in less than two minutes.
- Bask® heated surface creates spa-like relaxation with soothing warmth on your back, shoulders, and neck.
- Integrated ledge enables you to reach personal items with ease.
- Includes grab bar and drain: Polished Chrome.
- Integral lumbar support.
- 60-1/4" (1530 mm) x 33-1/2" (851 mm) x 39-1/4" (997 mm)

Material

- Acrylic

Installation

- Alcove

Required Accessories

K-7271 Brass Slotted Overflow Bath Drain

or

K-7272 PVC Slotted Overflow Bath Drain

Recommended Accessories

K-1010 17" Curved Grab Bar

K-10257 Multifunction Handshower

K-11891 12" Grab Bar

K-2971-KS 3/4" Pressure-balancing Valve

K-728-K 3/4" Two- or Three-Way Transfer Valve

K-8820 Sink Drain and Strainer

K-977 Handshower Holder with Hose



ADA

Codes/Standards

ASME A112.19.15

CSA B45.5/IAPMO Z124

ASTM E162

ASTM E662

UL 1795

Greenguard UL 2818 - Gold

ADA

ICC/ANSI A117.1

CARB P2

KOHLER® Elevance Rising Wall Bath - Limited Warranty

See website for detailed warranty information.

USA/Canada: 1-800-4KOHLER (1-800-456-4537)

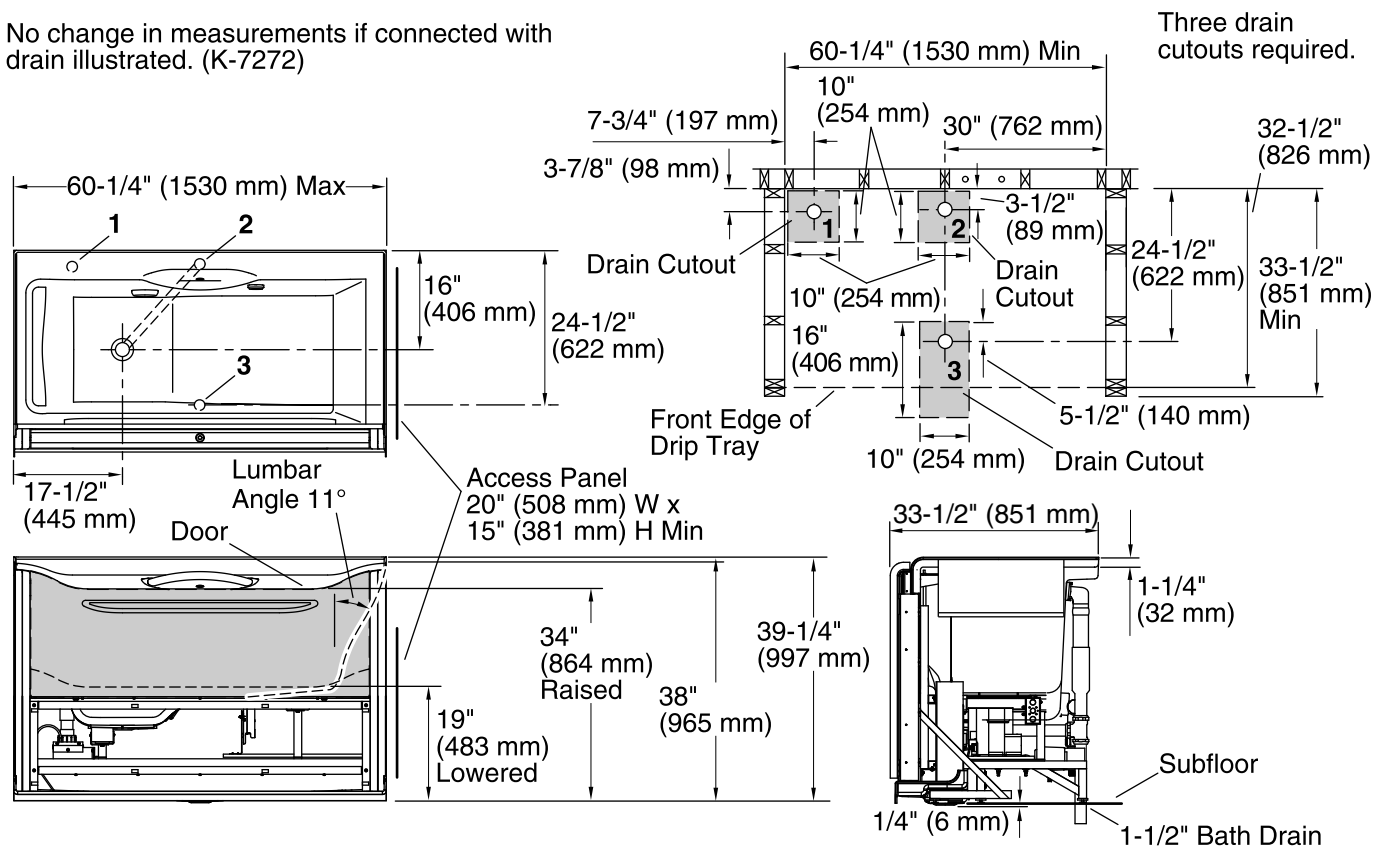
Kohler Co. reserves the right to make revisions without notice to product specifications.

For the most current Specification Sheet, go to www.kohler.com.

1-10-2017 02:49

THE BOLD LOOK
OF **KOHLER**®

No change in measurements if connected with drain illustrated. (K-7272)



Required Electrical Service

One circuit required, protected with Class A Ground-Fault Circuit-Interrupter (GFCI) or Residual Current Device (RCD).

Bath Door, Heated 120 V, 15 A, 60 Hz

Surface:

Technical Information

All product dimensions are nominal.

Installation:	3-Wall Alcove
Drain location:	Left
Basin area, bottom:	43" x 22-1/2" (1092 mm x 572 mm)
Basin area, top:	48-3/4" x 23-3/8" (1238 mm x 594 mm)
Weight:	266 lbs (120.7 kg)
Minimum floor load:	60 lbs/ft ² (292.9 kg/m ²)
Water depth:	19-3/4" (502 mm)
Water capacity:	72 gal (272.5 L)
Electrical component rating:	Bath Door: 120 V, 1 A, 60 Hz Heated Surface: 120 V, 1 A, 60 Hz, 65 W
Minimum flat for door:	0" (0 mm)

Notes

Measure your actual product for rough-in details.

Install this product according to the installation instructions.

The hot water supply should be 70% of the capacity of the bath or greater. Installations will vary.

Provide one grounded electrical outlet within 24" (610 mm) of each component.

A 350 VA size or larger Uninterruptible Power Supply (UPS) is recommended for areas of routine or prolonged power outages.

NOTE: Three drains are required. Drains 1 and 2 require a 10" (254 mm) x 10" (254 mm) cutout. Drain 3 requires a 10" (254 mm) x 10" (254 mm) cutout if accessible from below. For above-floor access, make a 10" (254 mm) x 16" (406 mm) cutout. Support the finished floor accordingly.

ADA compliant when installed to the specific requirements of these regulations.