



# Elevance® Rising Wall

## 5' BubbleMassage™ Bath

### K-1914-GLBW



#### Features

- Integral flange.
- Left drain.
- Chair-height bathing seat makes bath easy to enter and exit.
- 14" soaking depth at seat area.
- Rising side wall is easy to lift, requiring less than 5 pounds of force.
- Door glides on a track system with a counterbalance system to make it lightweight.
- Inflatable seal.
- Bath fills within four minutes when using 3/4" supply valve and piping.
- Dual-drain system allows bath to empty in less than two minutes.
- Bask® heated surface creates spa-like relaxation with soothing warmth on your back, shoulders, and neck.
- Integrated ledge enables you to reach personal items with ease.
- Includes grab bar and drain: Polished Chrome.
- Integral lumbar support.
- 60-1/4" (1530 mm) x 33-1/2" (851 mm) x 39-1/4" (997 mm)

#### Material

- Acrylic

#### Hydrotherapy

- 59 BubbleMassage™ airjets.
- Built-in 300 W heater.
- Keypad control.
- Automatic purge cycles remove residual water from air channels after use.

#### Installation

- Alcove

#### Recommended Accessories

- K-1010 17" Curved Grab Bar
- K-10257 Multifunction Handshower
- K-11891 12" Grab Bar
- K-2971-KS 3/4" Pressure-balancing Valve
- K-7272 PVC Slotted Overflow Bath Drain
- K-728-K 3/4" Two- or Three-Way Transfer Valve
- K-8820 Sink Drain and Strainer
- K-977 Handshower Holder with Hose



#### ADA

#### Codes/Standards

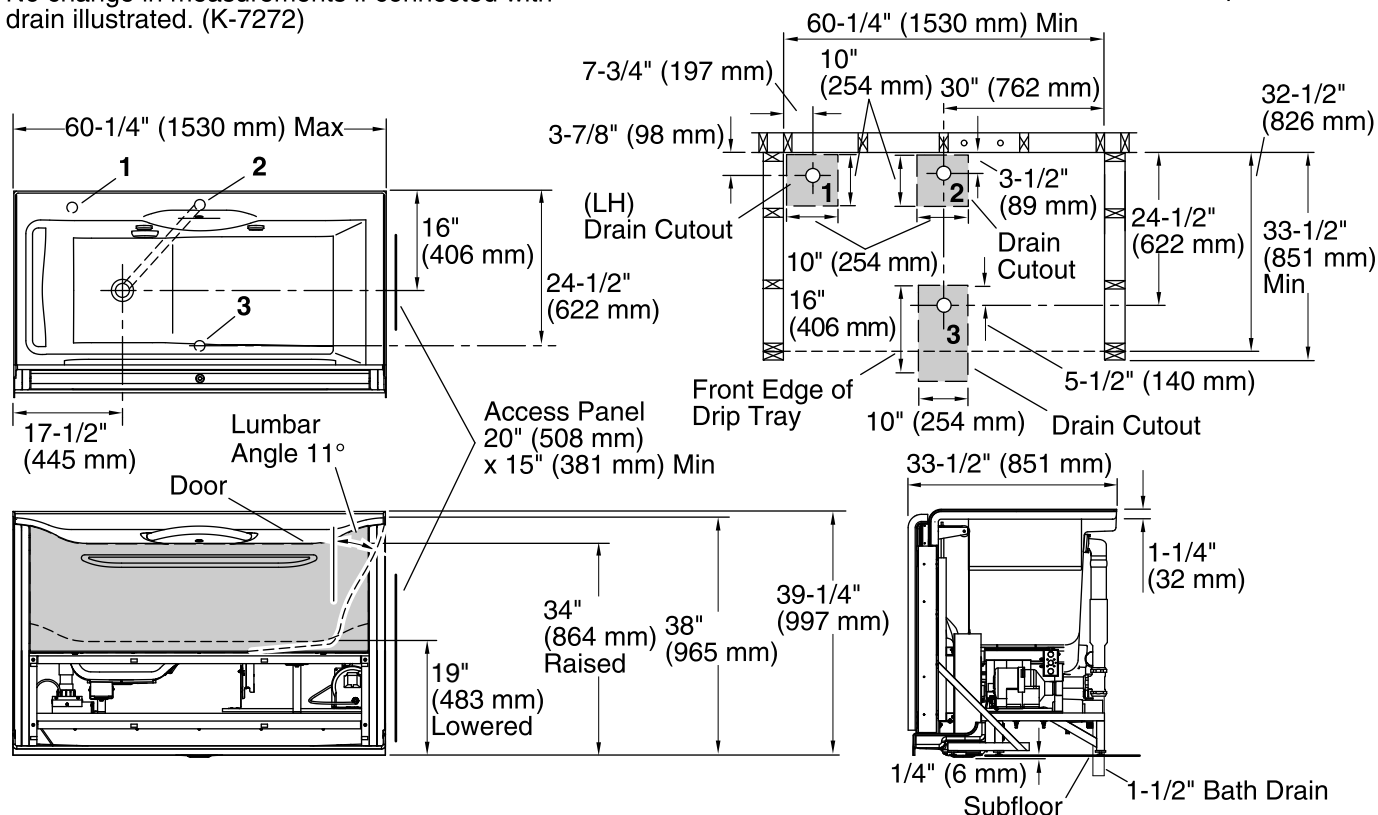
- ASME A112.19.15
- ASME A112.19.7/CSA B45.10
- CSA B45.5/IAPMO Z124
- ASTM E162
- ASTM E662
- UL 1795
- Greenguard UL 2818 - Gold
- ADA
- ICC/ANSI A117.1
- CARB P2

#### KOHLER® Elevance Rising Wall Bath - Limited Warranty

See website for detailed warranty information.

No change in measurements if connected with drain illustrated. (K-7272)

Three drain cutouts required.



### Required Electrical Service

One dedicated circuit required, protected with Class A Ground-Fault Circuit-Interrupter (GFCI) or Residual Current Device (RCD).

Bath Door, Heated 120 V, 15 A, 60 Hz  
Surface, Blower:

### Technical Information

All product dimensions are nominal.

Installation:	3-Wall Alcove
Drain location:	Left
Basin area, bottom:	43" x 22-1/2" (1092 mm x 572 mm)
Basin area, top:	48-3/4" x 23-3/8" (1238 mm x 594 mm)
Weight:	286 lbs (129.7 kg)
Minimum floor load:	60 lbs/ft <sup>2</sup> (292.9 kg/m <sup>2</sup> )
Water depth:	19-3/4" (502 mm)
Water capacity:	72 gal (272.5 L)
Electrical component rating:	Bath Door: 120 V, 60 Hz Heated Surface: 120 V, 0.5 A, 60 Hz, 65 W Blower: 120 V, 10 A, 60 Hz, 300 W
Minimum flat for door:	0" (0 mm)

### Notes

Measure your actual product for rough-in details.

Install this product according to the installation instructions.

The hot water supply should be 70% of the capacity of the bath or greater. Installations will vary.

Provide one grounded electrical outlet within 24" (610 mm) of each component.

A 350 VA size or larger Uninterruptible Power Supply (UPS) is recommended for areas of routine or prolonged power outages.

NOTE: Three drains are required. Drains 1 and 2 require a 10" (254 mm) x 10" (254 mm) cutout. Drain 3 requires a 10" (254 mm) x 10" (254 mm) cutout if accessible from below. For above-floor access, make a 10" (254 mm) x 16" (406 mm) cutout. Support the finished floor accordingly.

Remote blower installation kit K-1446 is available for relocating the blower. Provide access for servicing the blower.