



Buy it for looks. Buy it for life.®

There is more than 1 version of this model.  
Page down to identify the version you have.

**DESCRIPTION**

- Metal construction with various finishes identified by suffix
- Flexible supplies with 3/8" compression fittings
- Includes metal pop-up waste assembly
- Includes hot and cold temperature indicator
- Includes optional 3 hole deck plate (escutcheon)

**OPERATION**

- Lever style handle
- Temperature controlled by 100° arc of handle travel

**FLOW**

- Water usage is limited to these maximum flow rates as indicated by the corresponding product markings
  - ° 1.2 gpm max (4.5L/min) at 60 psi

**CARTRIDGE**

- 1255™ Duralast™ cartridge

**STANDARDS**

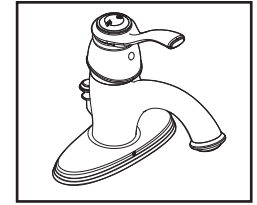
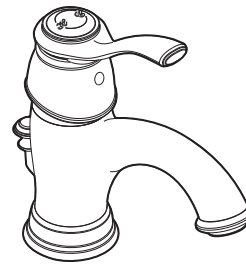
- Third party certified to WaterSense,® ASME A112.18.1/CSA B125.1, and all applicable requirements referenced therein
- Certified to NSF 61/9 & 372
- Products marked with 1.2 gpm are compliant with California water efficiency regulations
- Complies with California Proposition 65 and with the Federal Safe Drinking Water Act

- **ADA** for lever handle

**WARRANTY**

- Lifetime limited warranty against leaks, drips and finish defects to the original consumer purchaser
- 5 year warranty if used in commercial installations

# Specifications

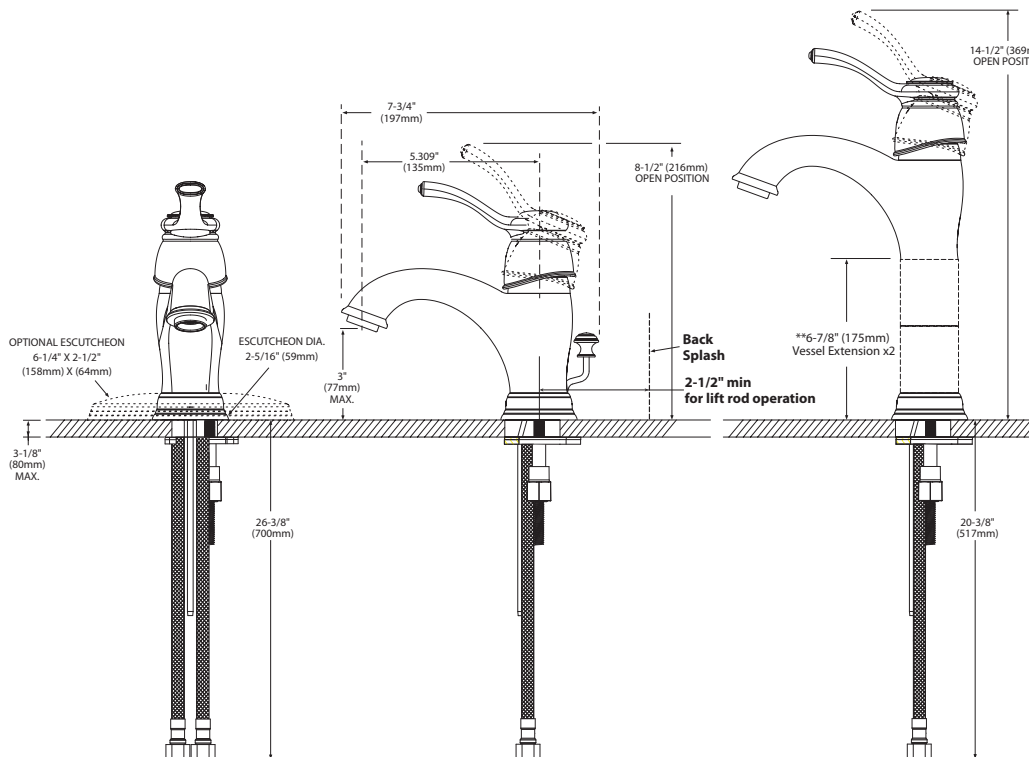


## KINGSLEY™ Single-Handle Lavatory Faucet

Models: 6102 series

**NOTE:** THIS FAUCET IS DESIGNED TO BE INSTALLED THRU 1 HOLE, 1-1/8" MIN. DIA.

\*Use A1616 Extension Kit for Vessel Sink Applications



### CRITICAL DIMENSIONS

(DO NOT SCALE)

FOR MORE INFORMATION CALL: 1-800-BUY-MOEN

www.moen.com



Buy it for looks. Buy it for life.®

# Specifications

## DESCRIPTION

- Metal construction with various finishes identified by suffix
- Flexible supplies with 3/8" compression fittings
- Includes metal pop-up waste assembly
- Includes hot and cold temperature indicator
- Includes optional 3 hole deck plate (escutcheon)

## OPERATION

- Lever style handle
- Temperature controlled by 100° arc of handle travel


## FLOW

- Flow is limited to 1.5 gpm max (5.7L/min) at 60 psi

## CARTRIDGE

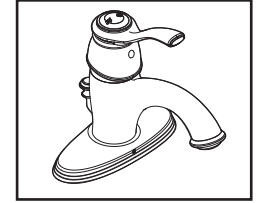
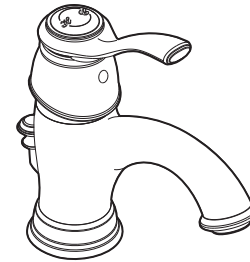
- 1255™ Duralast™ cartridge

## STANDARDS

- Third party certified to WaterSense,® ASME A112.18.1/CSA B125.1, NSF61/9& 372, and all applicable requirements referenced therein
- Complies with California Proposition 65 and with the Federal Safe Drinking Water Act
- **ADA**  for lever handle

## WARRANTY

- Lifetime limited warranty against leaks, drips and finish defects to the original consumer purchaser
- 5 year warranty if used in commercial installations

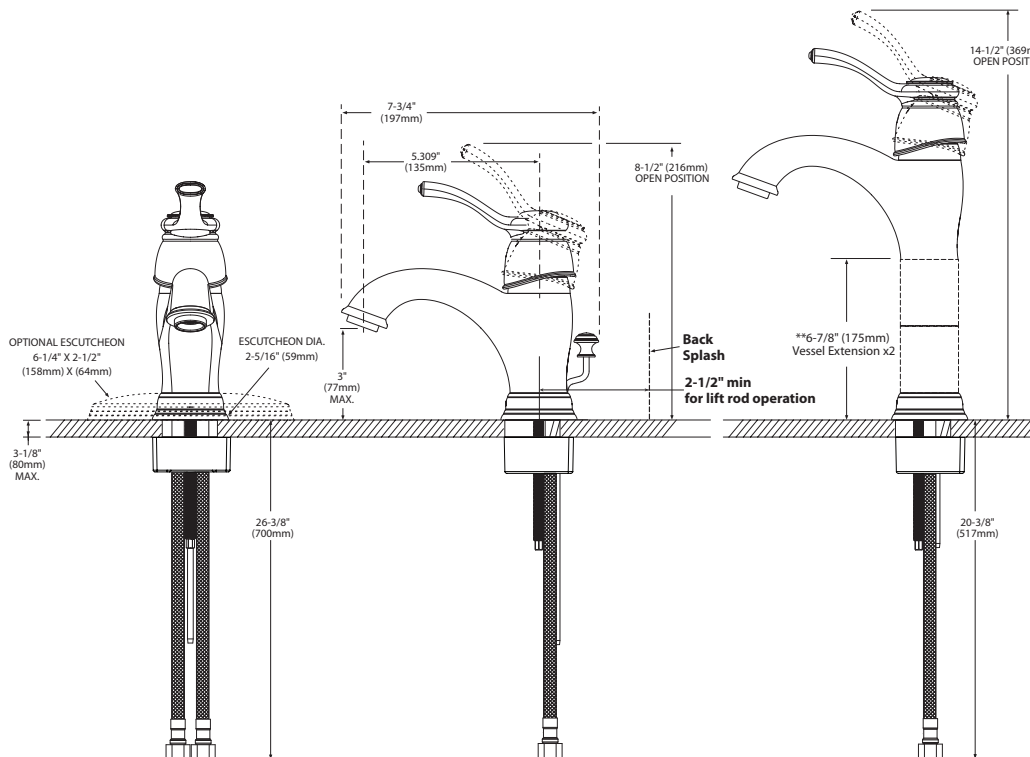


## KINGSLEY™ Single-Handle Lavatory Faucet

Models: 6102 series

**NOTE:** THIS FAUCET IS DESIGNED TO BE INSTALLED THRU 1 HOLE, 1-1/8" MIN. DIA.

\*Use A1616 Extension Kit for Vessel Sink Applications



## CRITICAL DIMENSIONS

(DO NOT SCALE)



Buy it for looks. Buy it for life.®

# Specifications

## DESCRIPTION

- Metal construction with various finishes identified by suffix
- 1/2" IPS connections
- Includes metal pop-up waste assembly
- Includes hot and cold temperature indicator
- Includes optional 3 hole deck plate (escutcheon)

## OPERATION

- Pivot action lever style handle
- Temperature controlled by 180° arc of handle travel

## FLOW

- Flow is limited to 1.5 gpm max (5.7L/min) at 60 psi, for products made before October 2008 flow is limited to 2.2 gpm max (8.3 L/min)

## CARTRIDGE

- 1225 cartridge design
- Nonmetallic and stainless steel material

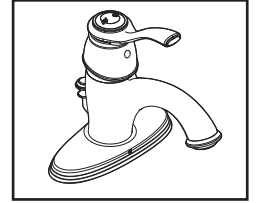
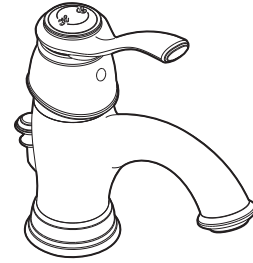
## STANDARDS

- Third party certified to WaterSense,® ASME A112.18.1/CSA B125.1, and all applicable requirements referenced therein
- Certified to NSF 61/9 & 372
- Complies with California Proposition 65 and with the Federal Safe Drinking Water Act

- **ADA**  for lever handle

## WARRANTY

- Lifetime limited warranty against leaks, drips and finish defects to the original consumer purchaser
- 5 year warranty if used in commercial installations

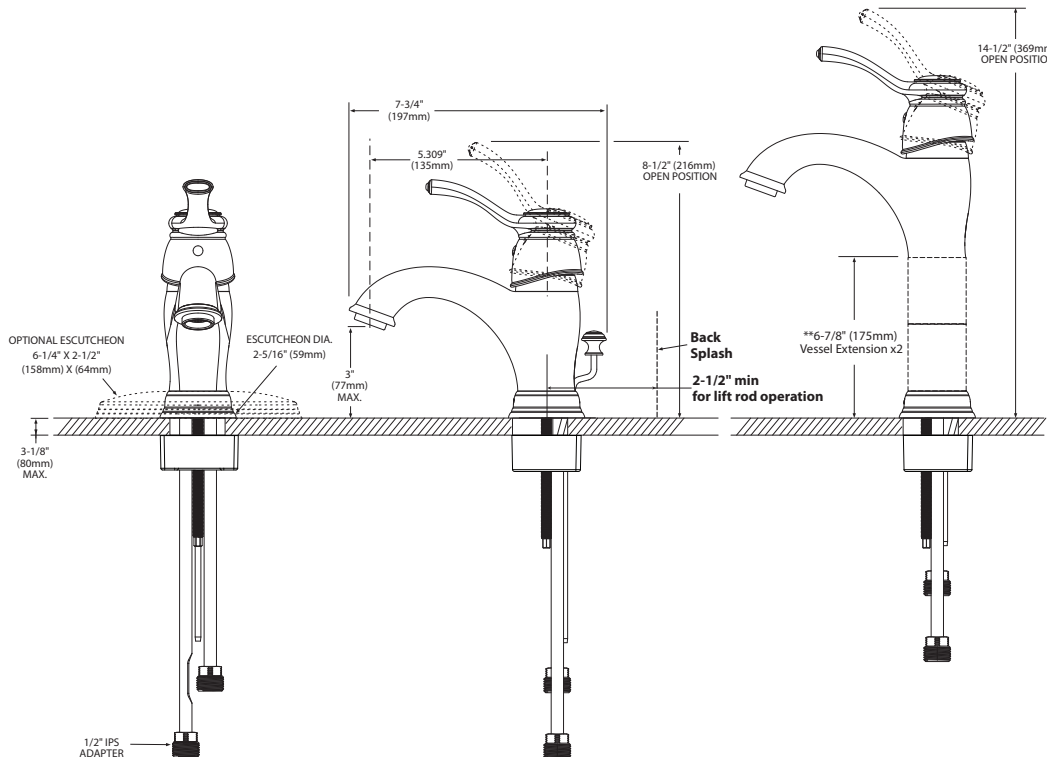


## KINGSLEY™ Single-Handle Lavatory Faucet

Models: 6102 series

**NOTE:** THIS FAUCET IS DESIGNED TO BE INSTALLED THRU 1 HOLE, 1-1/8" MIN. DIA.

\*Use A1616 Extension Kit for Vessel Sink Applications



## CRITICAL DIMENSIONS

(DO NOT SCALE)

FOR MORE INFORMATION CALL: 1-800-BUY-MOEN

www.moen.com