

**Specification Submittal Data / Panasonic Ventilation Fan**

**Description**

Ventilating fan shall be low noise ceiling mount type rated for continuous operation. Fan shall be ENERGY STAR rated and certified by the Home Ventilating Institute (HVI). Fan shall include energy efficient compact fluorescent lighting. Evaluated by Underwriters Laboratories and conform to both UL and cUL safety standards.

**Motor/Blower:**

- Four-pole totally enclosed condenser motor rated for continuous operation.
- Power rating shall be 120 volts and 60 Hz.
- Fan shall be UL and cUL listed for tub/shower enclosure when used with a GFCI protected circuit and used in insulated ceiling (TYPE I.C.)
- Motor equipped with thermal-cut-off fuse.
- Removable lubricated plug-in motor.

**Housing:**

- Rust proof paint, galvanized steel body.
- Integrated dual 4" or 6" diameter duct adaptor.
- Built-in metal flange provides blocking for penetrations through drywall as an Air Barrier, and assists with the decrease in leakage in the Building Envelope during blower door testing.
- Built in backdraft damper.
- Double hanger bar system allowing for ideal positioning.
- Expandable extension bracket up to 24".



\* (2) 13W self-ballasted GU24 base CFL lamps included

**Light:**

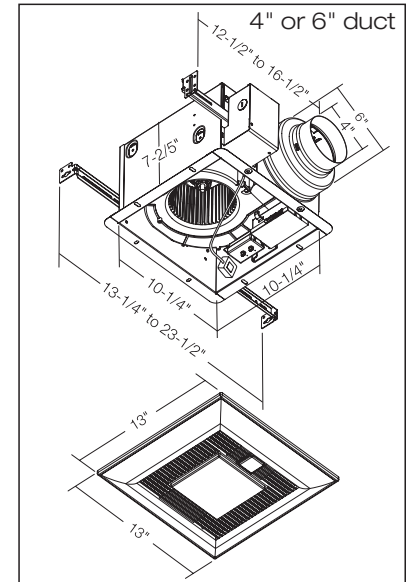
- Two 13 Watt self-ballasted GU24 based compact fluorescent lamps
- One 4-Watt night-light included.
- FCC Part 18 compliant.

**Warranty:**

- 3-Year warranty on parts from original date of purchase. Compact Fluorescent Lamps (CFL): 1 year. Night-light Lamp: No warranty on night-light.

**Architectural Specifications:**

Ventilation fan shall be ceiling mount, ENERGY STAR rated, with no less than 80 CFM and no more than <0.3 sone at 0.1 static pressure in inches water gauge (w.g.) and no less than 62 CFM and no more than 0.4 sone as certified by HVI at 0.25" w.g. Power consumption shall be no greater than 17.5 watts at 0.1" w.g. and 17.6 Watts at 0.25" w.g. with energy efficiency of no less than 4.7 CFM/Watt at 0.1" w.g. and 3.6 CFM/Watt at 0.25" w.g. The motor shall be totally enclosed, four pole condenser type engineered to run continuously. Power rating shall be 120v/60Hz. Included is an integrated dual 4" or 6" diameter duct adaptor. Duct diameter shall be no less than 4". Dual **motion and humidity sensor** capability and adjustable delay off timer that can be set from 30 seconds to 60 minutes. Humidity sensor is the rapid rise in relative humidity (RH) type with user-adjusted set points between ~30% to ~80% RH. Fan shall be UL and cUL listed for tub/shower enclosure when used with a GFCI protected circuit. Fan can be used to comply with ASHRAE 62.2, LEED, ENERGY STAR IAP, EarthCraft, California Title-24, WA Ventilation Code and **CALGreen**. Lamps shall be of the compact fluorescent type and utilize no less than two 13 Watt, ESTAR rated, self-ballasted GU24 base compact fluorescent lamps. Night-light feature shall be included.



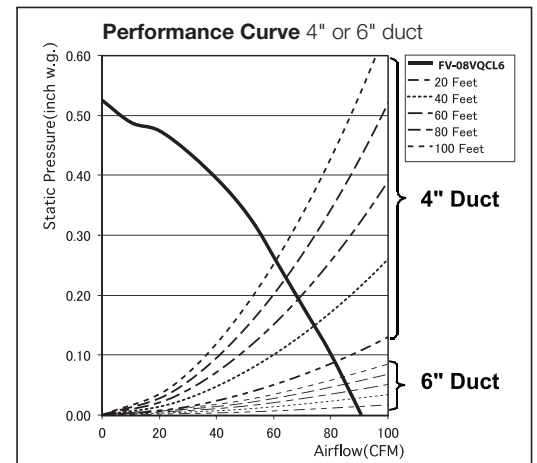
FV-08VQCL6

**Grille:**

- Attractive design using PP material.
- Attaches directly to housing with torsion springs.

Specifications: <b>WhisperSense-Lite</b> FV-08VQCL6		4" or 6" Duct (Standard)	
Ventilation Fan Characteristics (HVI tested data)	Static Pressure in inches w.g.	0.1	0.25
	Air Volume (CFM)	80	62
	Noise (sones)	<0.3	0.4
	Power Consumption (watts)	17.5	17.6
	Energy Efficiency (CFM/Watt)	4.7	3.6
	Speed (RPM)	881	1128
	Current (amps)	0.16	0.15
	Power Rating (V/Hz)	120/60	
	ENERGY STAR rated	YES	

0.25=Installed Performance



For complete Installation Instructions visit [us.panasonic.com/ventfans](http://us.panasonic.com/ventfans)

Model	Quantity	Comments	Project:
			Location:
			Architect:
			Engineer:
			Contractor:
			Submitted by:
			Date:

**Panasonic Eco Solutions North America**  
Eco Products Division  
Two Riverfront Plaza  
Newark, NJ 07102

[us.panasonic.com/ventfans](http://us.panasonic.com/ventfans)

