

Panasonic

WhisperValue™ VENTILATION FAN

FV-05VS3, FV-08VS3, FV-10VS3E



FV-08VS3

WhisperValue Lite™ VENTILATION FAN

FV-08VSL3, FV-10VSL3E



FV-08VSL3

- Ideal for residential construction (Single & Multi-Family) and Manufactured Homes
- 3-3/8" Housing Depth – lowest profile ENERGY STAR®* fan available – fits anywhere!
- Unique L-Shaped bracket simplifies installation and provides strong support
- UL approved for ceiling or wall mount (actually fits in a 2 x 4 stud wall)
- Wall Installation reduces cost by eliminating the need to incorporate a radiation damper when penetrating fire rated ceilings, making it ideal for Multi-Family applications
- Lighted models feature a contemporary grille design with (2) 13W self-ballasted GU24 base CFL lamps
- Engineered to comply with ENERGY STAR® 4.0 requirement for increased efficiency (CFM/Watt)
- Can be used to comply with ASHRAE 62.2, LEED, IAP, California Title 24 and WA Ventilation Code

ADDITIONAL BENEFITS

- 24 gauge steel, fire code rated 4" oval to 3" round duct adapter, sold separately (model # FV-VS43R)
- WhisperValue fan-only models are compatible with the Panasonic Ceiling Radiation Damper (model # PC-RD05C4)
- Lighted models Include a convenient night-light feature
- UL listed for tub/shower enclosure when GFCI protected
- 3 year warranty on parts, 3 year on CFL's



★★★★★ 6 YEARS IN A ROW

WhisperValue, WhisperValue Lite Ventilation Fans

Quiet Operation at 0.25" Water Gauge Static Pressure (INSTALLED PERFORMANCE)

Any manufacturer can achieve low noise levels at 0.1" w.g. – the amount of static pressure with 10 feet of duct and a wall cap. But today's houses have longer and more complicated duct runs. Since 0.1" w.g. is an unrealistic amount of static pressure when installed, ASHRAE, ENERGY STAR®, and LEED for Homes, have set the industry standard for performance measurement at 0.25" w.g. Panasonic leads the way with incomparable noise levels at both 0.1" and 0.25" w.g.

Specifications

WhisperValue, WhisperValue Lite 4" Oval Duct		FV-05VS3		FV-08VS3		FV-10VS3E		FV-08VSL3		FV-10VSL3E	
Characteristics (HVI tested data for 0.1" S.P.)	Static Pressure in inches w.g.	0.1	0.25	0.1	0.25	0.1	0.25	0.1	0.25	0.1	0.25
	Air Volume (CFM)	60	53	80	72	100	88	80	72	100	88
	Noise (sones)	0.4	1.0	0.6	0.9	1.0	1.3	0.5	0.7	1.0	1.1
	Power Consumption (watts)	15.9	16.3	21.2	21.5	26.7	26.4	22.5	22.9	27.3	27.0
	Energy Efficiency (CFM/Watt)	3.8	3.3	3.8	3.3	3.8	3.4	3.6	3.1	3.7	3.3
	Speed (RPM)	706	980	778	997	870	1049	825	1021	896	1059
	Current (amps)	0.13	0.14	0.18	0.18	0.23	0.23	0.19	0.19	0.23	0.22
	MAX. Current(amps)	0.15		0.21		0.23		0.21		0.24	
	Power Rating (V/Hz)	120/60		120/60		120/60		120/60		120/60	
Specifications	Motor Type	AC		AC		AC		AC		AC	
	Type of Motor Bearing	Ball		Ball		Ball		Ball		Ball	
	Thermal Fuse Protection	Yes		Yes		Yes		Yes		Yes	
	Blower Wheel Type	Sirocco		Sirocco		Sirocco		Sirocco		Sirocco	
	ENERGY STAR Qualified	Yes		Yes		Yes		Yes		Yes	
Installation	Duct Diameter (Inches)	4 Oval		4 Oval		4 Oval		4 Oval		4 Oval	
	Mounting Opening (Inches sq.)	10-1/2		10-1/2		10-1/2		10-1/2		10-1/2	
	Grille Size (Inches)	13		13		13		13		13	
Light Specifications	Lamp Watts	N/A		N/A		N/A		2 x 13W		2 x 13W	
	Lumens (lm)	N/A		N/A		N/A		998 lumens per lamp*		998 lumens per lamp*	
	Lumens Per Watt (LPW)	N/A		N/A		N/A		>70LPW*		>70LPW*	
	Color Rendering Index	N/A		N/A		N/A		>80		>80	
	Color Temperature (Kelvin)	N/A		N/A		N/A		3500K		3500K	
	Rated Life (hours)	N/A		N/A		N/A		10,000		10,000	
	Lamp Model #	N/A		N/A		N/A		MLS13GU35		MLS13GU35	
	Type of Lamp Socket	N/A		N/A		N/A		GU24		GU24	
Night Light Specs	Night Light Watts	N/A		N/A		N/A		4W		4W	
Shipping	Gross Weight (lbs)	9.3		9.3		9.3		10.6		10.6	
Approved Code/ Standard/Regulation	UL tub/Shower Enclosure	Yes		Yes		Yes		Yes		Yes	
	Washington VIAQ Code	Yes		Yes		Yes		Yes		Yes	
	California Title 24 Compliant	Yes		Yes		Yes		Yes		Yes	
	Mfg in ISO 9001 Certified Facility	Yes		Yes		Yes		Yes		Yes	

*As tested by an EPA recognized lab

**Lamp contains mercury. Dispose of according to local, state and federal laws.

NOTE: 0.25" w.g. = Installed Performance



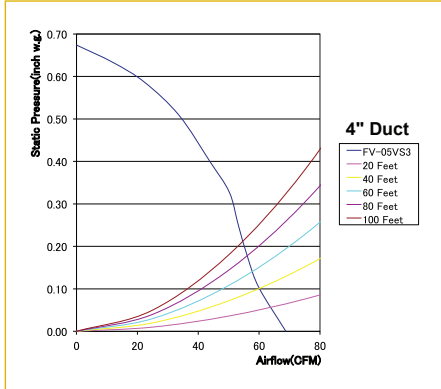
Lighted Models

WhisperValue Lite contemporary flush mount grille incorporates (2) 13W ENERGY STAR rated self-ballasted GU24 base CFL lamps and a 4W night light. 3500 Kelvin/High CRI/997 Lumens per lamp*/10,000 hours rated average life/equivalent to (2) 75W incandescent lamps.

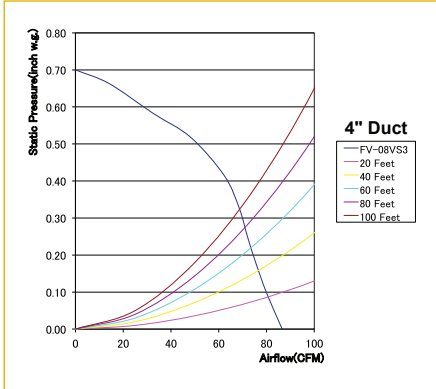
* (2) 13W self-ballasted GU24 base CFL lamps included

WhisperValue™ VENTILATION FAN

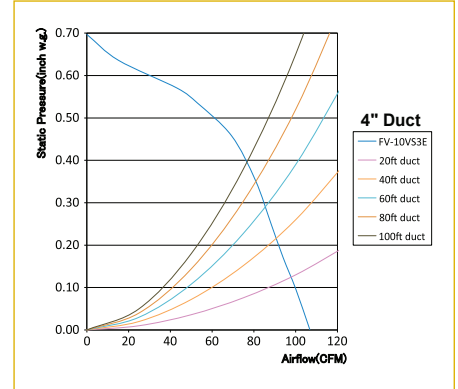
FV-05VS3



FV-08VS3

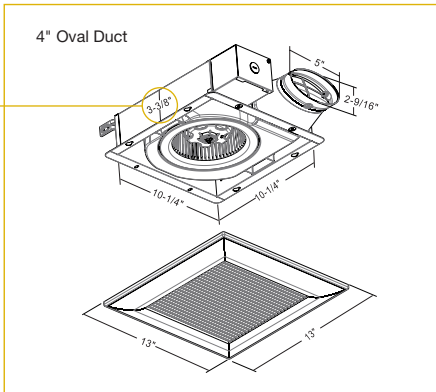


FV-10VS3E



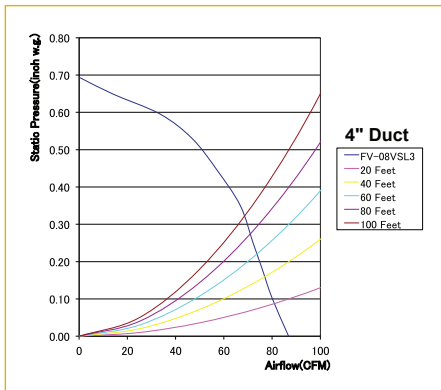
FV-05VS3/FV-08VS3/FV-10VS3E

3-3/8" housing depth.
Actual depth of a 2 x 4 is 3-1/2"!

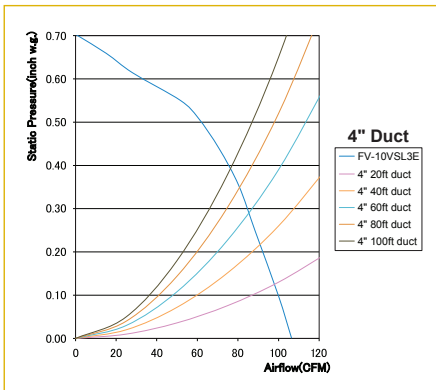


WhisperValue Lite™ VENTILATION FAN

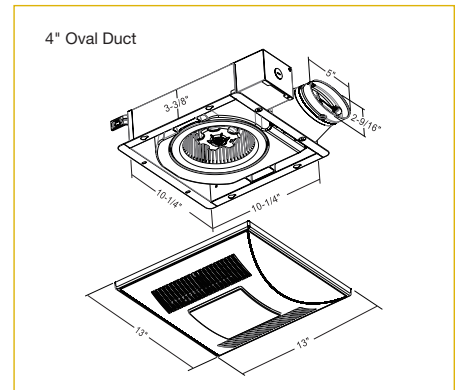
FV-08VSL3



FV-10VSL3E



FV-08VSL3/FV-10VSL3E



Perfect for Multi-Family Applications

- ✓ 3-3/8" housing depth (lowest profile ENERGY STAR fan available)
- ✓ L-Shaped bracket simplifies installation
- ✓ UL approved for ceiling or wall mount (actually fits in a 2 x 4 stud wall)
- ✓ Wall Installation reduces cost by eliminating need for a radiation damper, ideal for Multi-Family applications



Panasonic Eco Solutions of North America
Eco Products Division
Two Riverfront Plaza
Newark, NJ 07102
us.panasonic.com/ventfans

For Order Information
PHONE: 866-292-7299
FAX: 888-553-0723
ventfans@us.panasonic.com