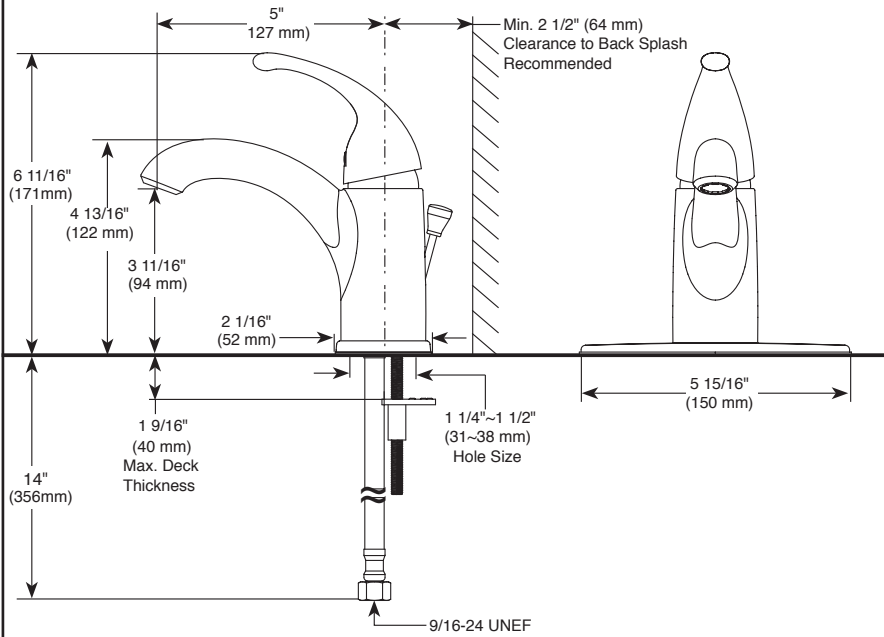
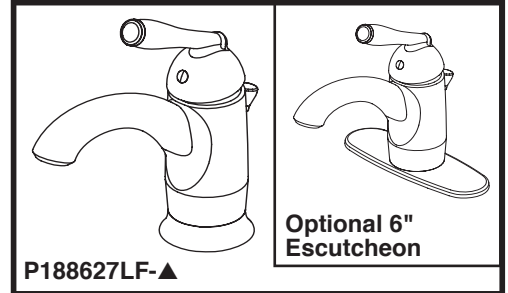
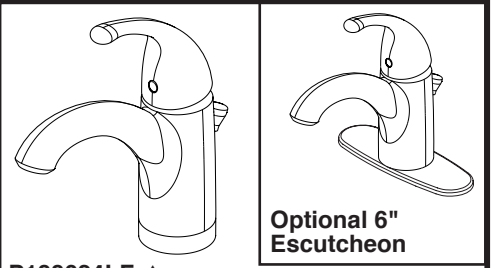
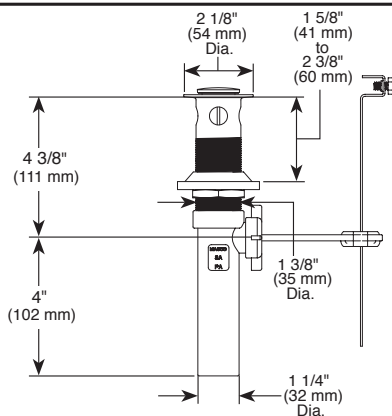
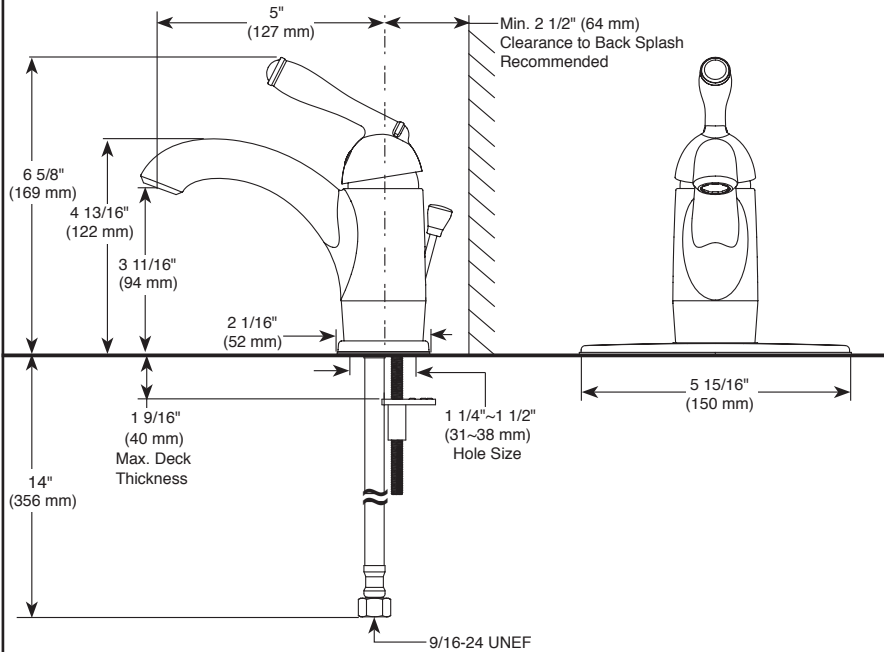


**P188624LF-▲**



**P188627LF ▲**



**LAVATORY FAUCET:**

- Single handle lever lavatory faucet, 50 / 50 pop-up drain assembly

**STANDARD SPECIFICATIONS:**

- Maximum 1.20 gpm @ 60 psi, 4.54 L/min @ 414 kPa
- One or three hole mount (escutcheon optional, included)
- Control mechanism is ceramic disc cartridge
- 14" (356 mm) long nylon braided hoses with 9/16-24 UNEF threaded female inlet adapters
- Red/blue indicator markings
- Solid brass body

**WARRANTY:**

- Lifetime limited warranty on parts (other than electronic parts and batteries) and finishes; or, for commercial users, for 5 years from the date of purchase.
- 5 year limited warranty on electronic parts (other than batteries); or for commercial users, for 1 year from the date of purchase. No warranty is provided on batteries.



**COMPLIES WITH:**

- ASME A112.18.1 / CSA B125.1
- ASME A112.18.2 / CSA B125.2



Indicates compliance to ICC / ANSI A117.1

- EPA WaterSense®
- Verified compliant with 0.25% weighted average Pb content regulations