

#7160  
**MADISON**  
**ROUND FRONT TOILET**

- \* **Reduce water consumption and save money**  
 One flush performance at 1.6 gpf every time.
- \* **2" glazed trap way passes a 1-7/8" ball**  
 which results in smooth discharges without clogging after each flush.
- \* **Flush valve 2".**
- \* **MaP rating Middle Range**
- \* **Low profile toilet height of 30"**  
 ideal for retrofit applications.
- \* **Elongated front bowl**  
 for comfortable use and improved hygiene.
- \* **Rim Height 15-7/8"** with seat on for comfortable use.
- \* **12" Rough in .**
- \* **Vitreous china** for easy cleaning.
- \* **Easy installation.**
- \* **2 bolt cap covers.**
- \* **Limited 5 years warranty** - on vitreous china and one year warranty on tank fittings.

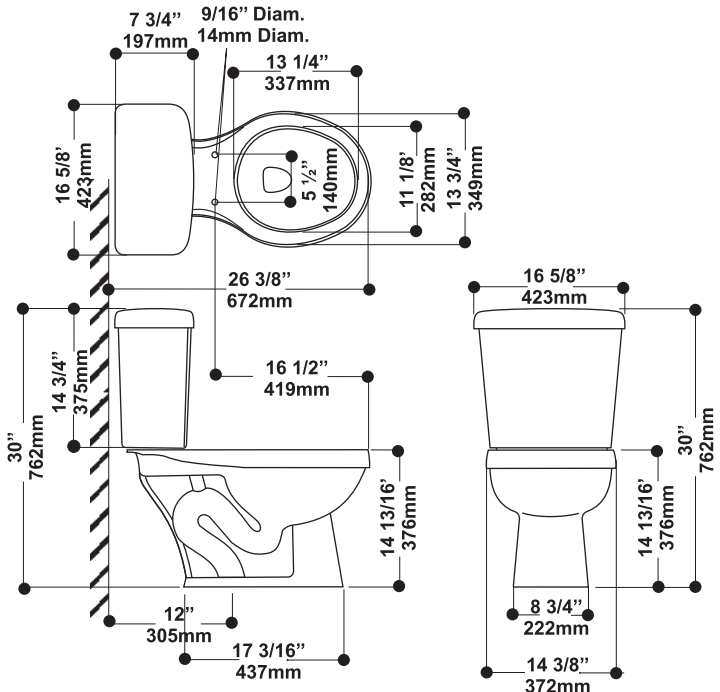


\* **Colors Available: White, Biscuit and Bone**  
 \* **Recommended seats:**  
**Bemis 6900 (closed front, with cover)**  
**Bemis 655C (open front, less cover)**

Model numbers:  
 #160 Bowl  
 #7 Tank

Nominal Dimensions:  
**26-3/8" x 16-5/8" x 30"**

NOTES:  
 \*THIS TOILET IS DESIGNED FOR A 12" (305 MM) ROUGH INSTALLATION.  
 \*ALL FIXTURE DIMENSIONS SHOWN ARE NOMINAL AND MAY VARY WITHIN INDUSTRY ACCEPTED TOLERANCES ESTABLISHED BY ASME / CSA STANDARD.  
 \*FIXTURE ONLY, SEAT AND COVER, AND WAX RING NOT INCLUDED.  
 \*INFORMATION AND MEASUREMENTS SHOWN ARE SUBJECT TO CHANGES OR CANCELLATION.  
 \*PEERLESS POTTERY ASSUMES NO RESPONSIBILITY OR LIABILITY FOR LOCAL OR STATE REGULATIONS DIFFERENT FROM FEDERAL STANDARDS.  
 \*IT IS THE RESPONSIBILITY OF THE INSTALLER TO COMPLY WITH LOCAL CODES AND STANDARDS PRIOR TO INSTALLATION OF BATHROOM FIXTURES.



**INDUSTRY CERTIFICATION:**  
**Meets or exceeds ASME A112.19.2. / CSA B45.1**