

# ROHL

Authentic Luxury for Kitchen and Bath®

www.rohlhome.com



## 4" CENTERSET BASIN MIXER

ROHL Country Bath Arcana

**AC95L-2** (Ornate Metal Lever)

**AC95LM-2** (Classic Metal Lever)

**AC95X-2** (Cross Handle)

**AC95OP-2** (Ornate Porcelain Lever)

### FEATURES

- 4" centerset
- 1/4-turn ceramic disc valves
- Fixed spout
- Pop-up drain, 1 1/4" pipe
- 3 x 1 3/8" cutouts, 4" center to center
- 1.2GPM

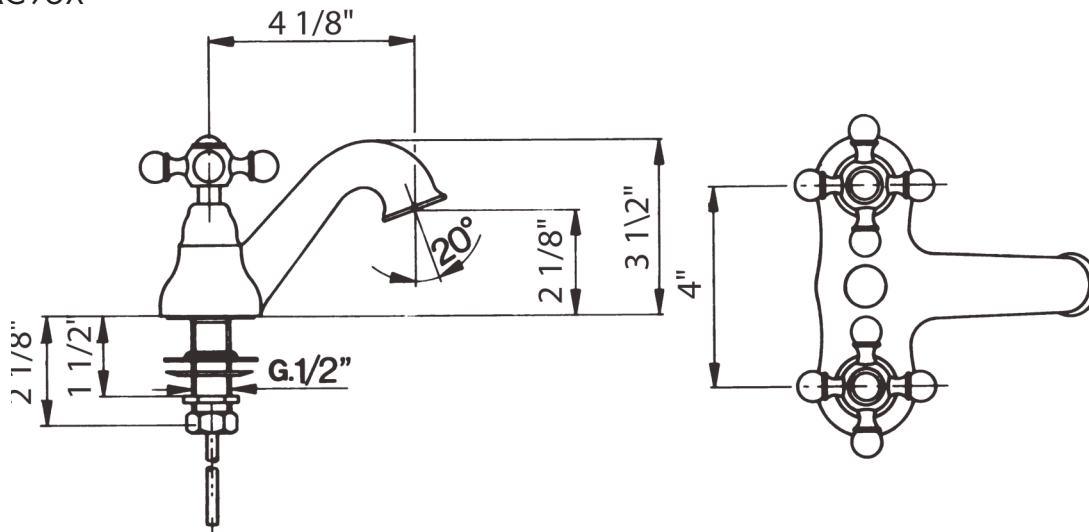
### FINISHES

- Polished Chrome
- Polished Nickel
- Satin Nickel
- Tuscan Brass
- Italian Brass

### WARRANTY

- Limited Lifetime\*
- \* No Warranty on Tuscan Brass Finish (TCB)

AC95X



AC95L



AC95OP

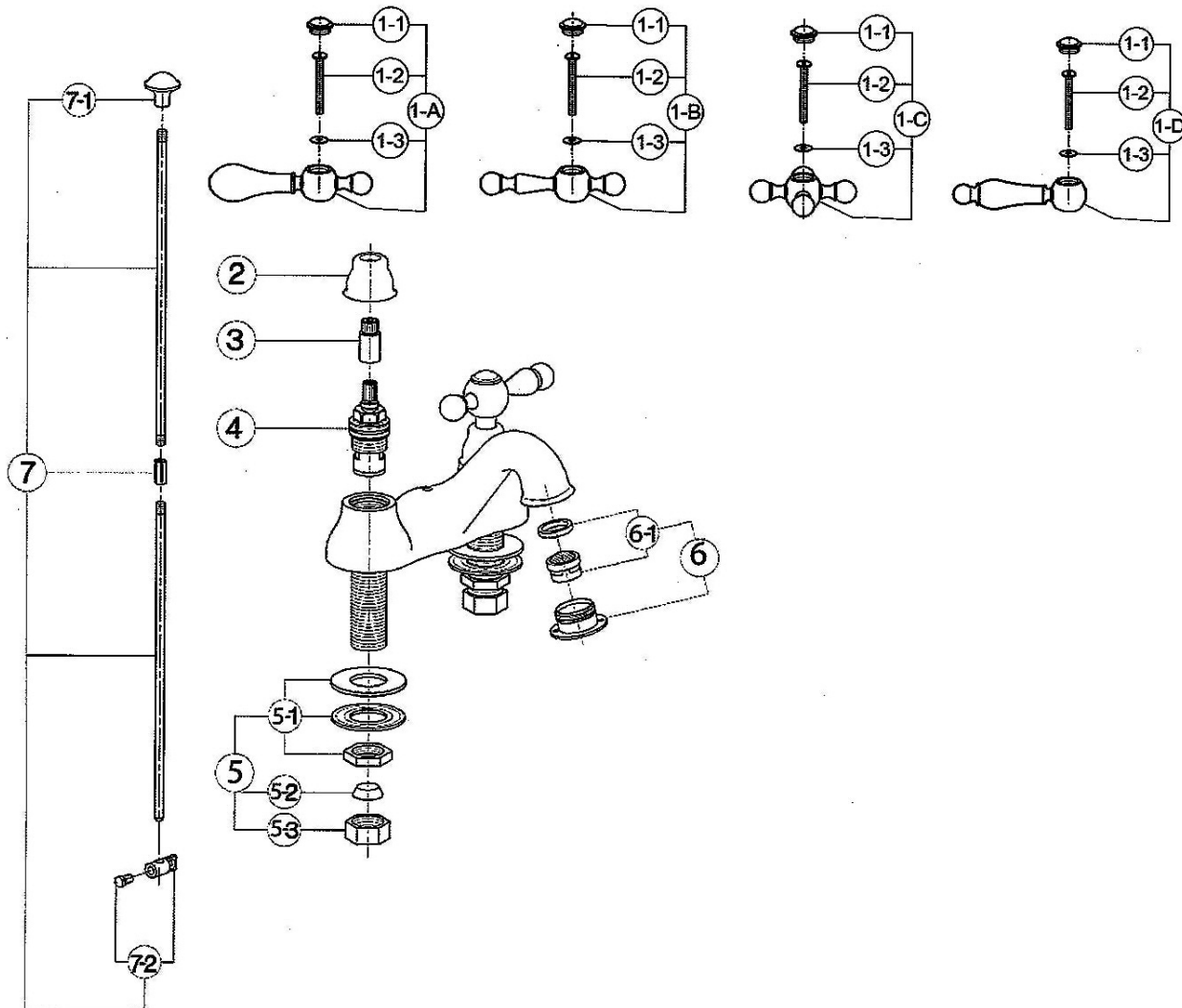


AC95LM

Consult your local ROHL showroom for additional information and specifications. For complete warranty details and a list of showrooms, go to [www.rohlhome.com](http://www.rohlhome.com).



## AC95-2 Spare Parts



POS.	DESCRIPTION	CODE	POS.	DESCRIPTION	CODE
1-A	Classic Metal lever with "Cold" mark	ZZ950330	3	Extension for head valve	ZZ926710
1-A	Classic Metal lever with "Hot" mark	ZZ950340	4	Cartridge Hot (counterclockwise opening)	ZZ929070
1-B	Ornate Metal lever handle "Cold" mark	ZZ921170	4	Cartridge Cold (clockwise opening)	ZZ929060
1-B	Ornate Metal lever handle "Hot" mark	ZZ921180	5	Installation set complete	ZZ927440
1-C	Cross handle "Cold" mark with screw and cap	ZZ921120	5-1	Installation set deck mounted tap	ZZ927400
1-C	Cross handle "Hot" mark with screw and cap	ZZ921110	5-2	Gasket	ZZ926880
1-D	Ornate Porcelain lever with "Cold" mark	ZZ9736702	5-3	Nut 1/2"	ZZ926120
1-D	Ornate Porcelain lever with "Hot" mark	ZZ9736802	6	Aerator complete	ZZ930790
1-1	Cap for handle (Cold)	ZZ938610	6-1	Aerator insert only	ZZ933930
1-1	Cap for handle (Hot)	ZZ938620	7	Pop-up rod complete	ZZ927870
1-2	Screw for handle	ZZ926500	7-1	Knob for pop-up rod	ZZ926830
1-3	Brass washer	ZZ926730	7-2	Connection for pop-up rod	ZZ926380
2	Escutcheon	ZZ926520			

## INSTALLATION INSTRUCTIONS

### AC95X OR L INSTALLATION INSTRUCTIONS

There are no instructions for the ac95x-l in the box.

We recommend the use of a professional plumber.

#### Preparation:

- Flush the plumbing system before installation of the mixer faucet. This will prevent residue from clogging the line and aerator. Especially important in new construction.

Maximum water temperature 140 degrees

Minimum water pressure 15 psi

Maximum water pressure 75 psi

Recommended psi should be between 40 and 60.

Hole size: 1 " minimum- 1 3/8" maximum- 4 Inch center to center for the supply lines

1. Flush the system
2. Set the faucet in the installation holes, with a rubber flat washer on each supply tube on top of the sink to prevent leakage.
3. Install metal washer and mounting nut. Tighten.
4. Make connection to the supply lines.
  - a. The supply line size is 1/2". A flexible line from the faucet to the supply angle stop is recommended. (Not supplied- Note: supply the correct length supply line and the correct connection to the angle stop supply).
5. Install the pop-up assembly (if you need separate instructions for this, please fax Rohl.)
6. Install the pop-up rod
  - a. 2 piece assembly- screw the knob on first- insert the upper rod-
  - b. Screw the connection on with the lower rod
  - c. Make the connection to the horizontal rod to the pop-up with the swiveling connections

#### 7. TEST FOR LEAKS

1. LEVER AND CROSS HANDLES
  - i. ZZ92111H LEVER HOT
  - ii. ZZ92112C LEVER COLD
  - iii. ZZ92116H CROSS HOT
  - iv. ZZ92117C CROSS COLD
2. ZZ926190 DOME COVER
3. ZZ 926710 HEAD EXTENSION
4. CERAMIC HEADVALVE
  - i. LEVER HANDLES
    1. ZZ92906021C
    2. ZZ92907021H
  - ii. CROSS HANDLES
    1. 2 X ZZ92907021H
5. ZZ909920 AERATOR COMPLETE
6. ZZ92744000 INSTALLATION SET
7. ZZ903310 POP-UP ROD COMPLETE OR ZZ927870

