



Pair of Extended Wall Unions

ROHL Perrin & Rowe® Bath

U.6389

FEATURES

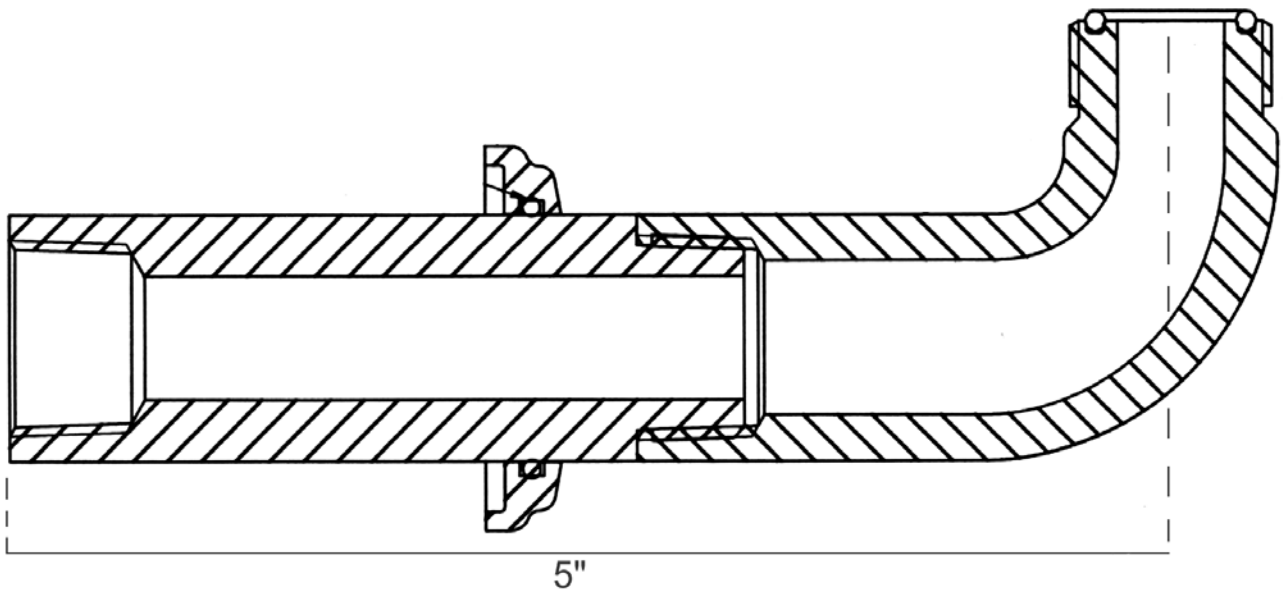
- For use with exposed tub and tub/shower mixers
- 3/4" female NPT inlet
- Projects 5" from wall
- U.6399 3" extension unions available to lift height of filler valve

COLORS/FINISHES

- Polished Chrome
- Polished Nickel
- Satin Nickel
- Inca Brass
- English Bronze

WARRANTY

- Limited Lifetime



U.6389 Spare Parts

