
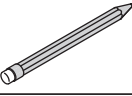
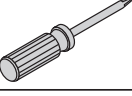

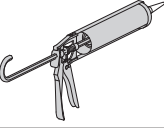



SSSL2412 Shower Seat Installation Instructions



Tools Required for Installation	
Drill: • 7/64" Drill Bit for Wall • 1/4" Carbide Tip Drill Bit for Ceramic Tile	
Pencil	
Phillips Head Screwdriver	
Safety Glasses	
Silicone	
Stud Finder	

IMPORTANT NOTES FOR PROPER INSTALLATION

DO NOT install this product without first reading and understanding the instructions. If you are unable to understand these warnings and instructions, contact professional or technical personnel for assistance - otherwise injury may occur.

SHOWER SEAT LOCATION

- For proper mounting heights and location consult with your state and local code official having jurisdiction over the installation

SOLID SUPPORT

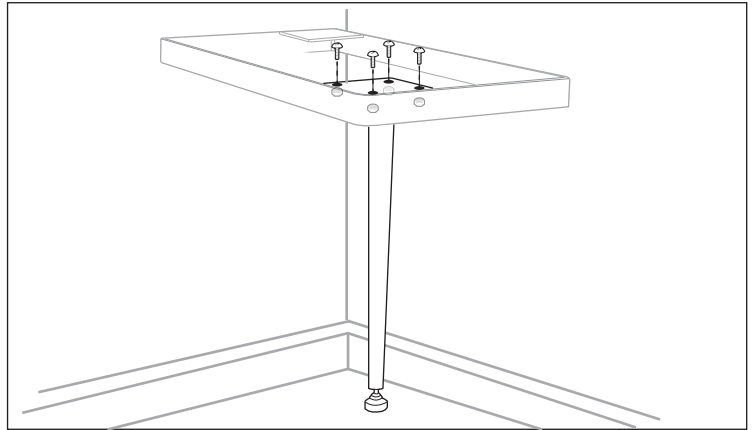
- Shower Seat must be mounted with both attachment positions over a wall stud. A stud finder can be used to locate wall studs. Contractor is responsible for installing Shower Seat to wall studs as instructed.
- Secure through wall board or tile to the wall stud so as to hold a minimum of 250 pounds.
- At least two (2) of the three (3) wood screws provided must be used on each end of the Shower Seat, top and bottom, to properly secure. Standard size wall stud limits using more than two wood screws.
- If using a drill to install wood screws, a drill bit extension must be used to avoid damaging the Shower Seat.



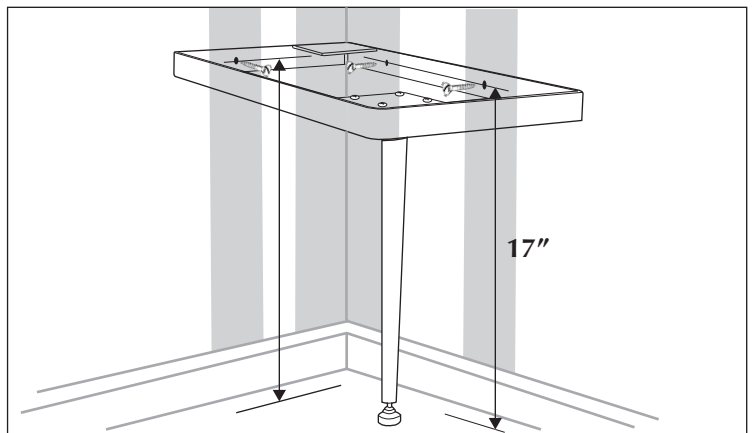
Stainless Steel Corner Seat Installation Instructions

INSTALLATION

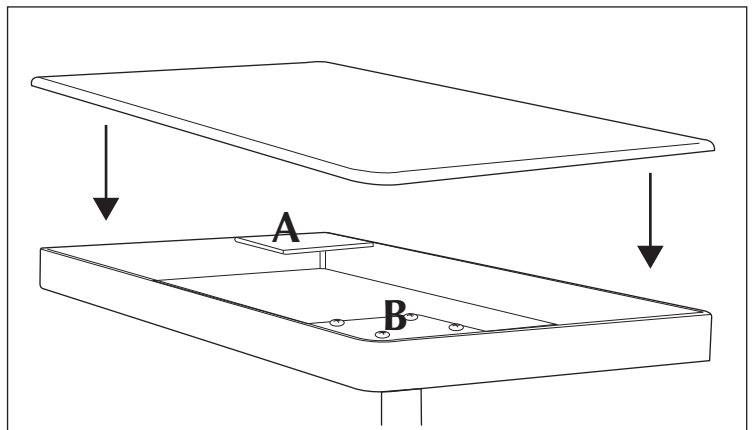
- 1) Assemble leg.
Install four screws through metal plate on seat frame into shower seat leg plate



- 2) Measure center line
- 3) Find studs. Drill pilot hole. Screw three included lag bolts through shower wall material into wall studs.



- 4) Apply silicone glue to areas A and B. Place seat on top of frame and press firmly.



- 5) Make any adjustments necessary with the adjustable leg leveler

