



**Lawson™**

72" Bath

**71301100**



### Features

- Durable high-gloss finish.
- 72" (1829 mm) x 36" (914 mm) x 20-5/16" (516 mm) finished dimensions

### Material

- Compression molded from our exclusive solid Vikrell® material.



### Codes/Standards

CSA B45.5/IAPMO Z124

ASTM E162

ASTM E662

Greenguard UL 2818 - Gold



HUD, UM Bulletin 73

### STERLING® Warranty - Fixtures Made of Solid Vikrell Material

See website for detailed warranty information.

### Available Color/Finishes

*Color tiles intended for reference only.*

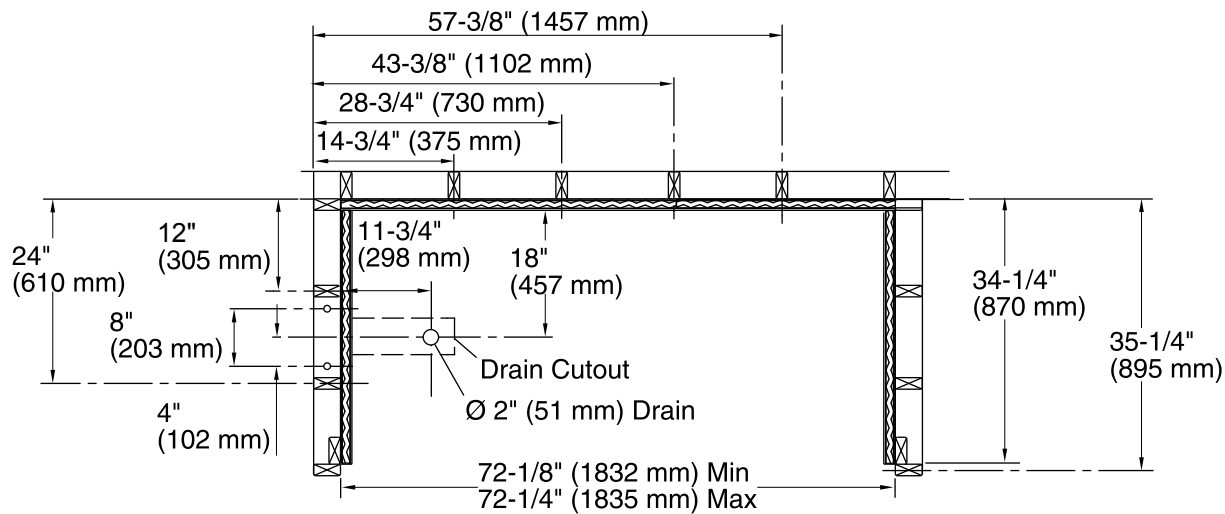
Color	Code	Description
	0	White
	96	KOHLER Biscuit

USA/Canada: 1-800-STERLING (1-800-783-7546)

Kohler Co. reserves the right to make revisions without notice to product specifications.

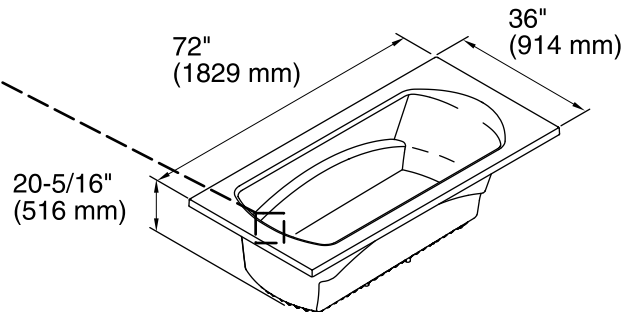
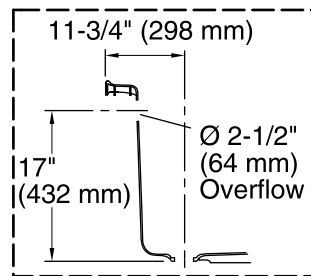
For the most current Specification Sheet, go to [www.sterlingplumbing.com](http://www.sterlingplumbing.com).

7-9-2016 03:08



### Drain Detail

 Ledger Strip Locations



### Technical Information

All product dimensions are nominal.

Installation:	Drop-in
Drain location:	End
Basin area, bottom:	50-3/8" x 21-3/4" (1280 mm x 552 mm)
Basin area, top:	58-1/4" x 27" (1480 mm x 686 mm)
Water depth:	15-1/4" (387 mm)
Water capacity:	68 gal (257.4 L)
Minimum flat for door:	3" (76 mm)
Door width required:	72" (1829 mm)

### Notes

Install this product according to the installation instructions.

Double studding is recommended for pivot shower door installations.

Studs should be positioned roughly as shown.