



OC-SS-39

39" Shower Base

62051100



Features

- Durable swirl gloss finish.
- 1/2" (13 mm) threshold with 1/2" (13mm) finished floor.
- 39-3/8" (1000 mm) x 39-3/8" (1000 mm) base finished dimensions.

Material

- Compression molded from our exclusive Vikrell® material.

Installation

- Suitable for tile down application or with STERLING wall surround.



ADA

Codes/Standards



CSA B45.5/IAPMO Z124
ASTM E162
ASTM E662
Greenguard UL 2818 - Gold
ADA

STERLING® Warranty - Fixtures Made of Solid Vikrell Material

See website for detailed warranty information.

Available Color/Finishes

Color tiles intended for reference only.

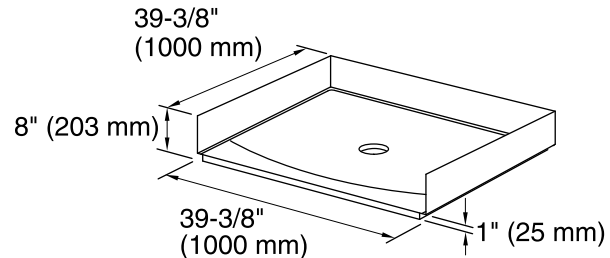
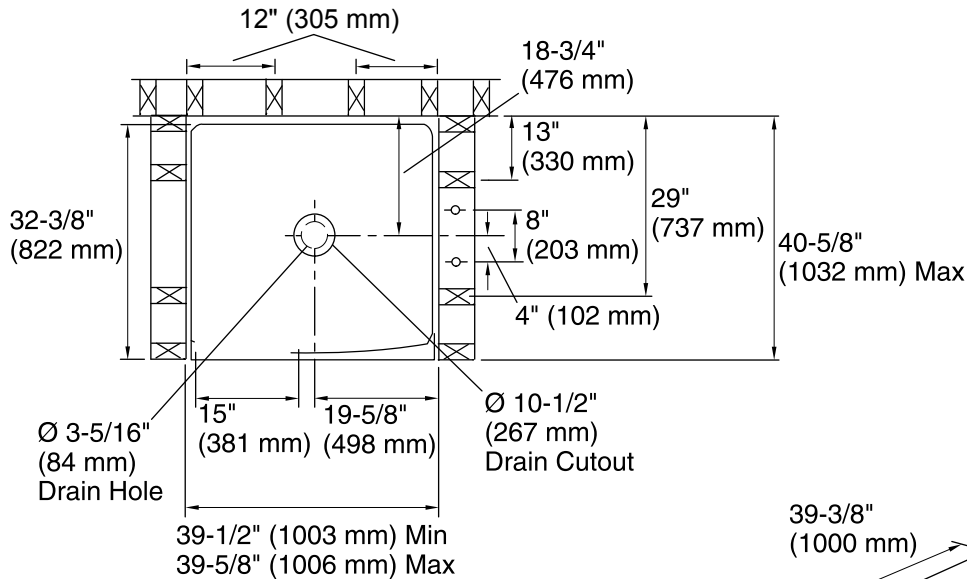
Color	Code	Description
	0	White
	96	KOHLER Biscuit

USA/Canada: 1-800-STERLING (1-800-783-7546)

Kohler Co. reserves the right to make revisions without notice to product specifications.

For the most current Specification Sheet, go to www.sterlingplumbing.com.

7-9-2016 02:40



Technical Information

All product dimensions are nominal.

Installation: 3-Wall Alcove

Drain location: Center

Notes

Install this product according to the installation instructions.

Drain cutout in subfloor to be 10-1/2" (267 mm) per rough-in illustration below to allow the backside of the drain to sit below the subflow surface.

1/2" minimum finished floor thickness required.

Studs should be positioned roughly as shown.

ADA compliant when installed to the specific requirements of these regulations.