



Accord®

60" Shower stall with seat and center drain
72290100



Features

- Alcove installation
- 3-1/2" threshold
- Solid Vikrell material
- Durable high-gloss finish
- Center drain
- Pivot snap-together modular design
- No caulk required
- Removable seat

Included Components

Product consists of:

- 72291100 60" Seated Shower Base
- 71164100 60" x 36" Bath/Shower Wall Set
- 72286104 Removable bath seat for Series 7228 and 7229



Codes/Standards



HUD, UM Bulletin 73

**Warranty – Bathing Fixtures (and)
Kitchen and Utility Sinks Made of Solid
Vikrell® Material
STERLING® Warranty - Bathing &
Showering Seats**

See website for detailed warranty information.

Available Colors/Finishes

Color tiles intended for reference only.

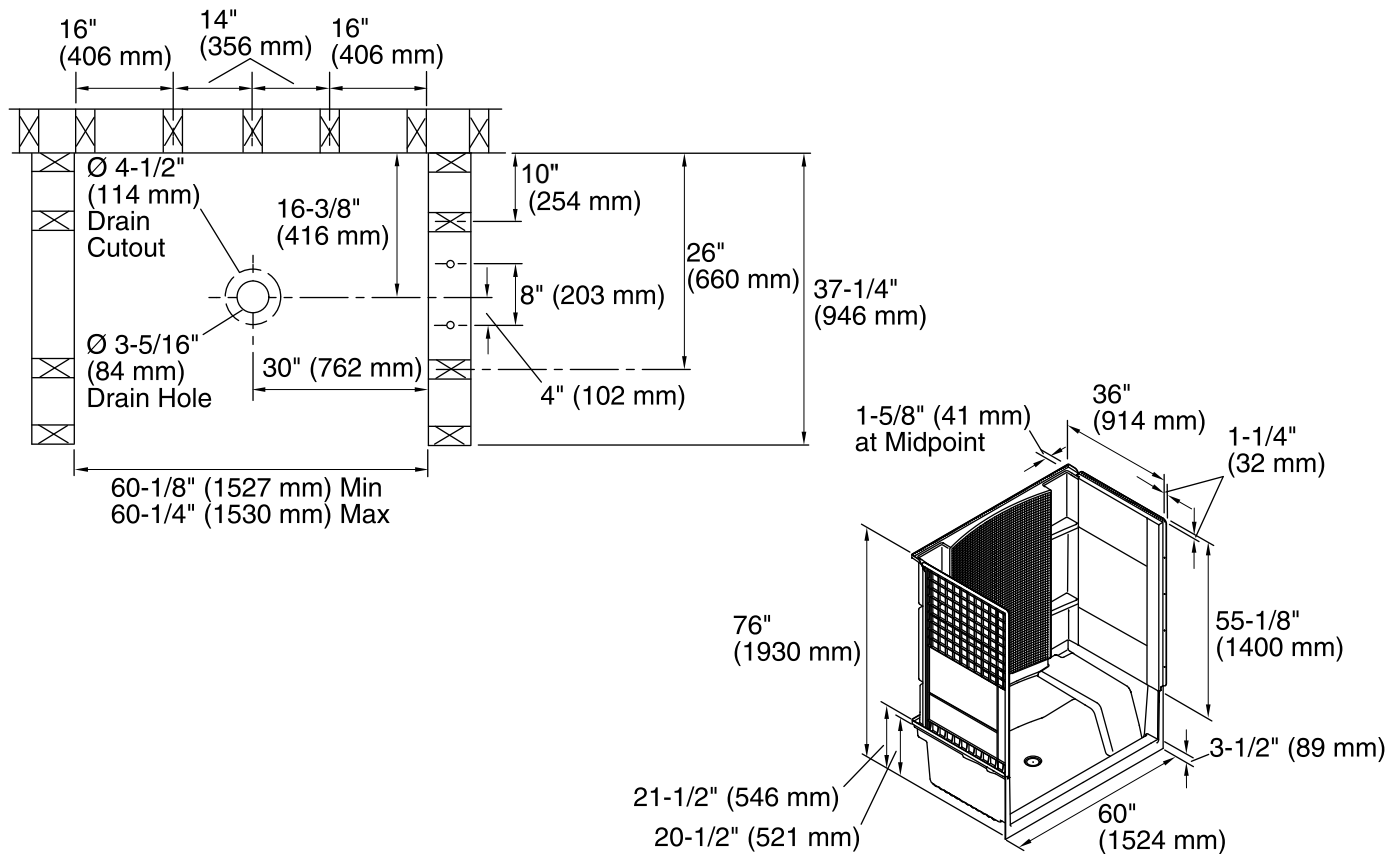
Color	Code	Description
	0	White
	96	KOHLER Biscuit

1-800-STERLING (1-800-783-7546)

Kohler Co. reserves the right to make revisions without notice to product specifications.

For the most current Specification Sheet, go to www.sterlingplumbing.com.

9-24-2019 05:30 - US



Technical Information

All product dimensions are nominal.

Installation:	Three-wall alcove
Drain location:	Center
Minimum flat for door:	3-1/4" (83 mm)
Threshold height:	3-1/2" (89 mm)
Maximum door height:	70-5/8" (1794 mm)
Maximum door width:	56-5/8" (1438 mm)

Notes

- Install this product according to the installation instructions.
- Studs should be positioned roughly as shown. Double studding is recommended for pivot shower door installations.
- Base cannot be installed without the wall surround.