



### Features

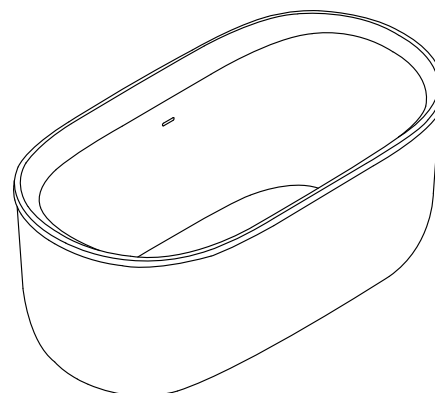
- Freestanding design creates a striking focal point in your bathing area.
- Oval-shaped basin offers a graceful and spacious bathing experience.
- Center offset toe-tap drain.
- 17-1/4" bathing depth offers a deep soaking experience.
- Sloped lumbar support on both ends.
- Wide ledge on one side is ideal for deck-mount faucet and/or handshower.
- Bottom surface manufactured with textured appearance.
- Built-in integral overflow.

### Material

- Acrylic.

### Included Components

Additional Components:  
Chrome drain



### Codes/Standards

CSA B45.5/IAPMO Z124  
ASTM E162  
ASTM E662  
Greenguard UL 2818 - Gold


### Warranty – Bathing Fixtures (and) Kitchen and Utility Sinks Made of Solid Vikrell® Material

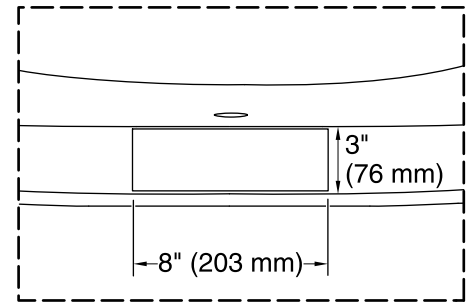
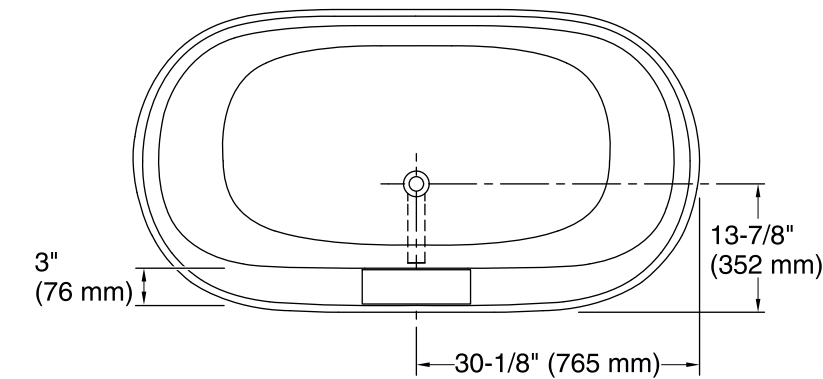
See website for detailed warranty information.

### Available Colors/Finishes

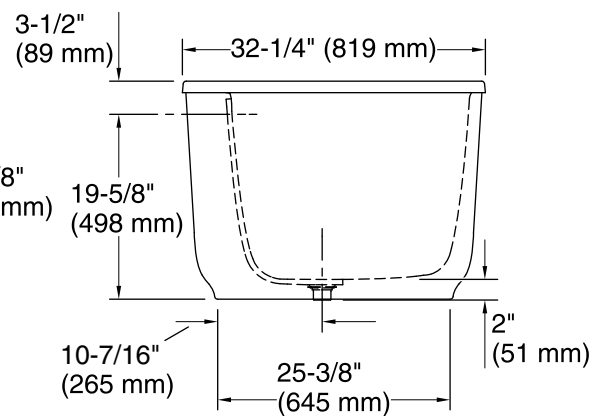
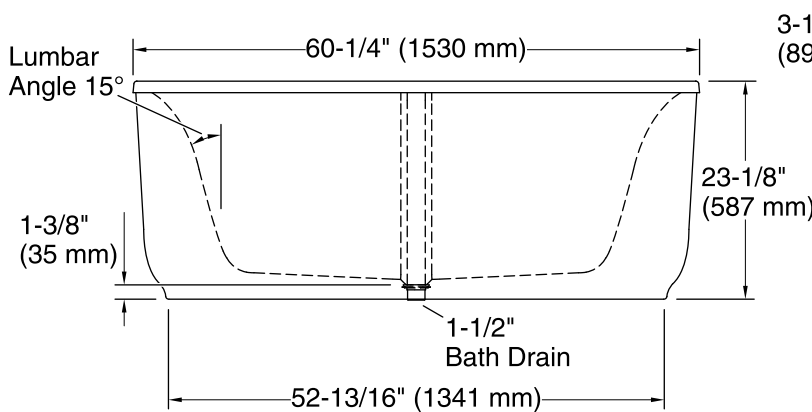
*Color tiles intended for reference only.*

Color	Code	Description
-------	------	-------------

	0	White
--	---	-------



**Recommended Faucet Area Location**



**Technical Information**

All product dimensions are nominal.

Installation:	Freestanding
Drain location:	Center
Basin area, bottom:	53-3/8" x 25-3/8" (1356 mm x 644 mm)
Weight:	90 lbs (40.8 kg)
Water depth:	17-1/4" (438 mm)
Water capacity:	65 gal (246.1 L)

**Notes**

- Install this product according to the installation instructions.
- Measure your actual product for rough-in details. The hot water supply should be 70% of the capacity of the bath or greater. Installations will vary.
- This bath is designed for freestanding installation only.
- If installing a rim-mount faucet, make sure there is no interference above or below the deck before drilling any holes.