



**Features**

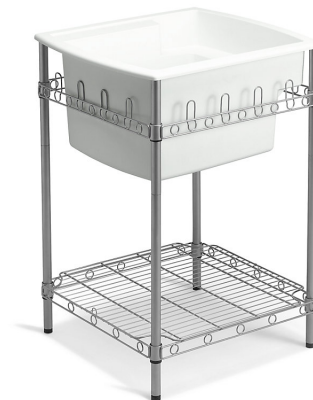
- Unique quarter-deck design provides shelf space for storage and cleaning.
- Surface texture maintains superior stain and scratch resistance.
- Drill marks provided for faucet hole drilling.
- Includes a free standing metal stand for added storage and versatility.
- 12.5" (304.79 mm) basin depth.
- 36" (914 mm) comfortable working height.
- 25" (635 mm) x 22" (559 mm) x 36" (914 mm)

**Material**

- Compression molded from our exclusive solid Vikrell® material.

**Installation**

- Foot levelers and wall brackets included.



**Codes/Standards**

CSA B45.5/IAPMO Z124  
ASTM E162  
ASTM E662  
Greenguard UL 2818 - Gold

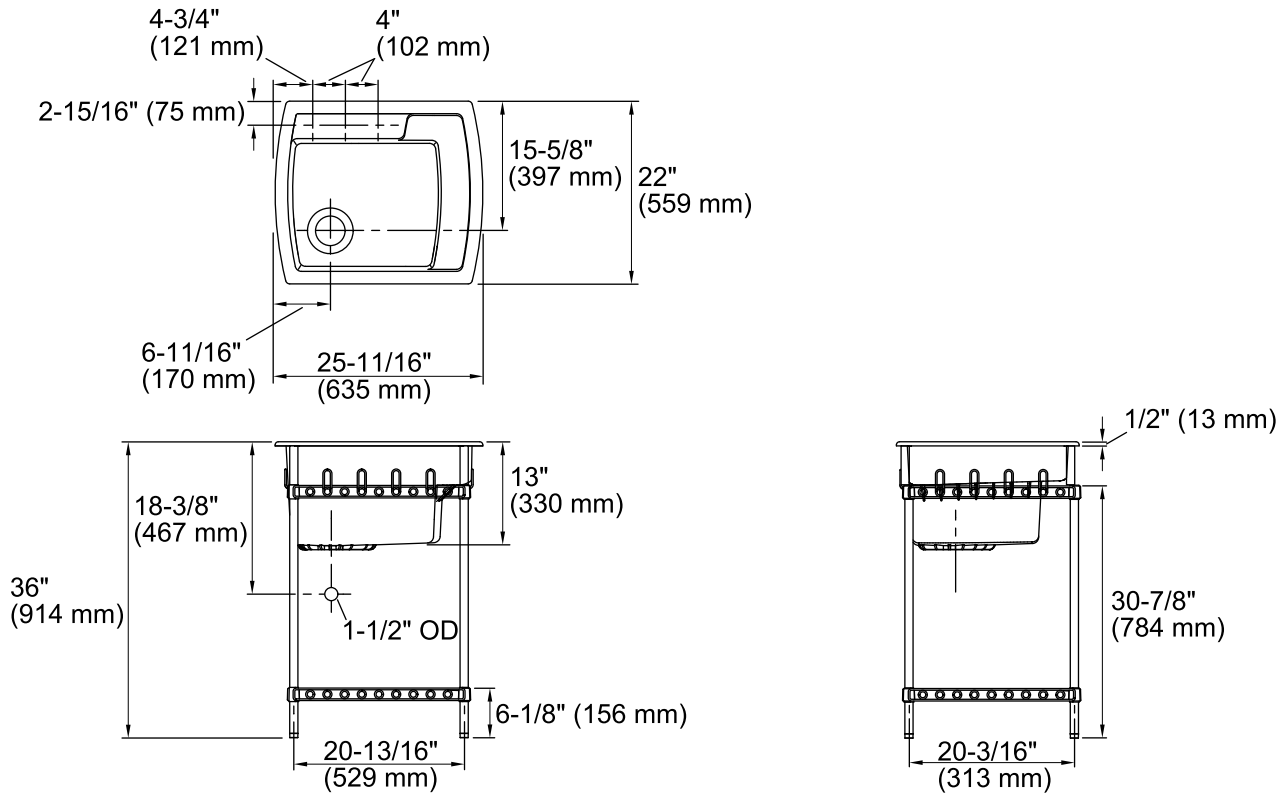
**STERLING® Warranty - Fixtures Made of Solid Vikrell Material**

See website for detailed warranty information.

**Available Color/Finishes**

*Color tiles intended for reference only.*

Color	Code	Description
	0	White
	96	KOHLER Biscuit



**Technical Information**

All product dimensions are nominal.

- Bowl configuration: Single
- Installation: Standalone, Standalone
- Bowl area (Only)
  - Length: 22" (559 mm)
  - Width: 16" (406 mm)
  - Bowl depth: 12-1/4" (311 mm)
  - Water depth: 12-1/4" (311 mm)
- Number of deck holes: 3
- Faucet hole(s): 1-3/8" (35 mm)

**Notes**

Install this product according to the installation instructions.