



Ensemble™

60" x 36" AFD Bath
71101122



Features

- Durable high gloss finish.
- Above-floor-drain (AFD) rough-in.
- Gentle sloping back, neck, and armrests.
- Integral apron eliminates installation step.
- 3" (76 mm) wainscot/tile ledge.
- 18-1/4" (464 mm) bath depth (floor to top of threshold).
- 60" (1524 mm) x 36" (914 mm) complete unit finished dimensions.

Material

- Compression molded from our exclusive solid Vikrell® material.



ADA

Codes/Standards



CSA B45.5/IAPMO Z124
ASTM E162
ASTM E662
Greenguard UL 2818 - Gold
ADA
ICC/ANSI A117.1

STERLING® Warranty - Fixtures Made of Solid Vikrell Material

See website for detailed warranty information.

Available Color/Finishes

Color tiles intended for reference only.

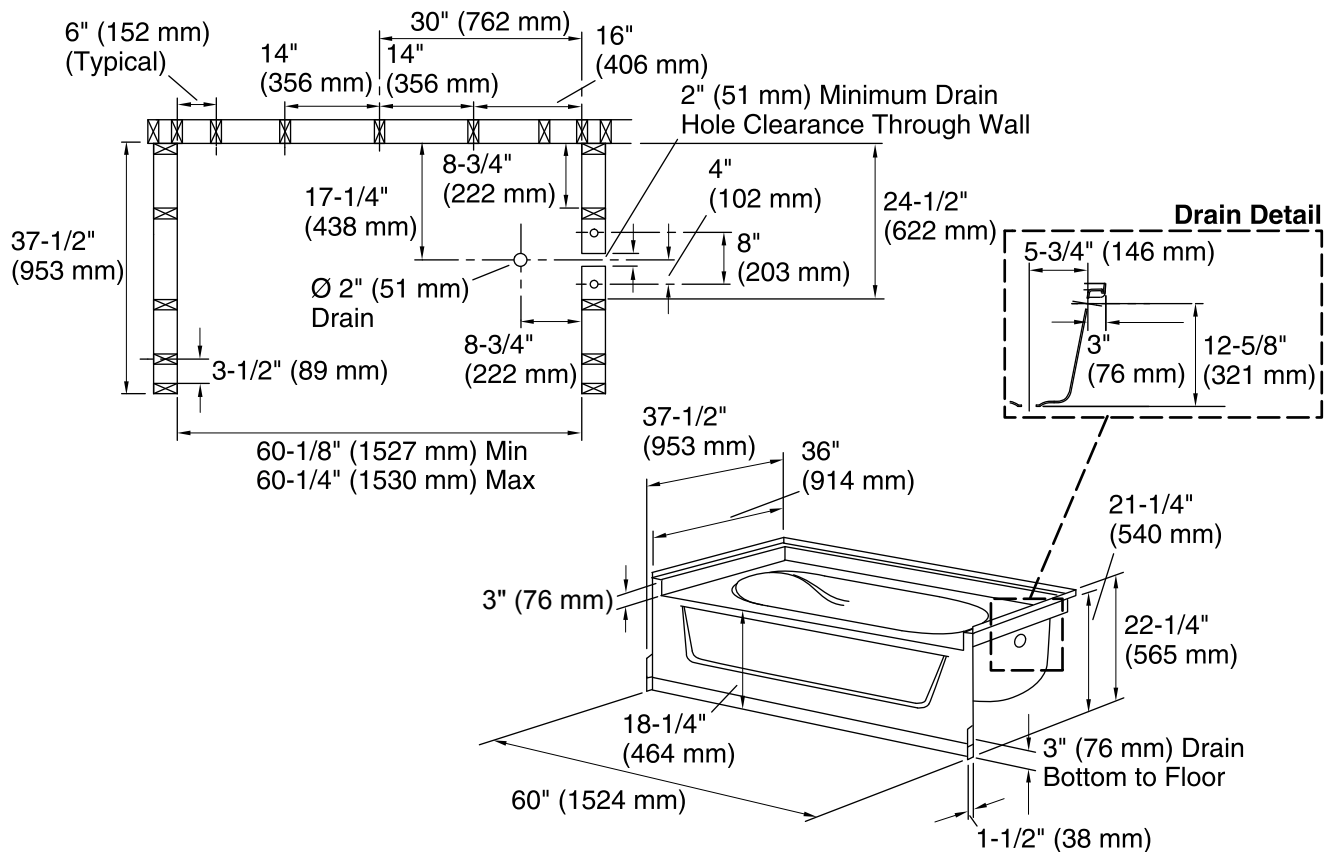
Color	Code	Description
	0	White
	96	KOHLER Biscuit

USA/Canada: 1-800-STERLING (1-800-783-7546)

Kohler Co. reserves the right to make revisions without notice to product specifications.

For the most current Specification Sheet, go to www.sterlingplumbing.com.

10-11-2017 04:15



Technical Information

All product dimensions are nominal.

Installation: 3-Wall Alcove

Drain location: Right

Basin area, bottom: 40" x 21" (1016 mm x 533 mm)

Basin area, top: 52" x 29" (1321 mm x 737 mm)

Water depth: 11" (279 mm)

Water capacity: 40 gal (151.4 L)

Minimum flat for door: 3-1/4" (83 mm)

Door width required: 58-1/2" (1486 mm)

Notes

Install this product according to the installation instructions.

Studs should be positioned roughly as shown.

Double studding is recommended for pivot shower door installations.

ADA compliant when installed to the specific requirements of these regulations.