

Features

- Rectangular bowl.
- No faucet holes; requires wall- or counter-mount faucet.
- Luster bowl finish.
- Includes reveal and no-reveal option.
- Includes SilentShield® sound-absorption system.
- With strainer.
- 14-1/2" (362 mm) x 11-3/4" (298 mm) x 7" (178 mm)

Material

- 19-gauge stainless steel.

Installation

- Under-mount.

Components

Product includes:

- 7400 Duostrainer™ Sink Strainer
- 91915 Hardware Kit



Codes/Standards

ASME A112.19.3/CSA B45.4

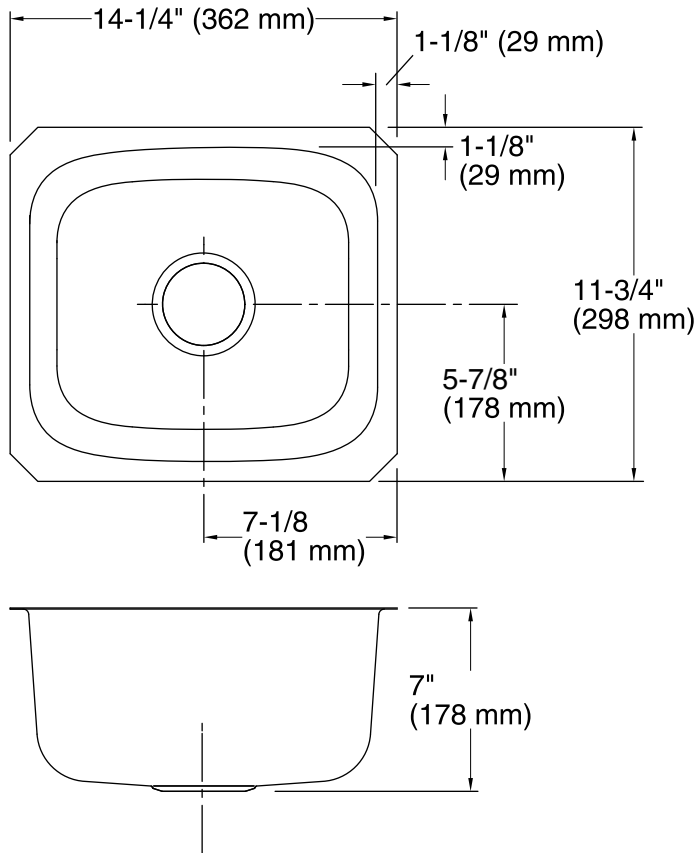
STERLING® Warranty - Stainless Steel Sinks

See website for detailed warranty information.

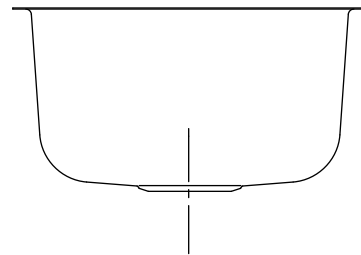
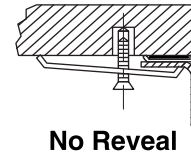
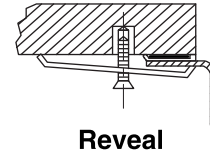
Available Color/Finishes

Color tiles intended for reference only.

Color	Code	Description
-	-	-



Mounting bracket assembly provides a secure installation.



Technical Information

All product dimensions are nominal.

- Bowl configuration: Single
- Installation: Under-mount
- Min. base cabinet width: 18" (457 mm)
- Bowl area (Only)
 - Length: 12" (305 mm)
 - Width: 9-1/2" (241 mm)
 - Bowl depth: 7" (178 mm)
 - Water depth: 7" (178 mm)
- Drain hole: 3-5/8" (92 mm)
- Template: 1293029-7, required, included

Notes

- Install this product according to the installation instructions.
- Measure your actual product for roughing-in details.