

FEATURES

- 72-3/8" x 39-1/2" x 25-1/2"
- Luxuriously deep bathing well
- Cast-acrylic construction provides high durability
- Slip-resistant surface
- 1hp ultra-quiet blower
- 300 watt heated air injection system
- Final purge/drying cycle to clean each air jet
- Optional solid brass grab bars with various finishes
- LED lighting
- Multi-functional remote
 - Normal Mode: Fully adjustable massage level for just the right amount of comfort
 - Pulsating Mode: Powerful, penetrating massage
 - Oscillation Mode: Wave-like, soothing massage

MODELS

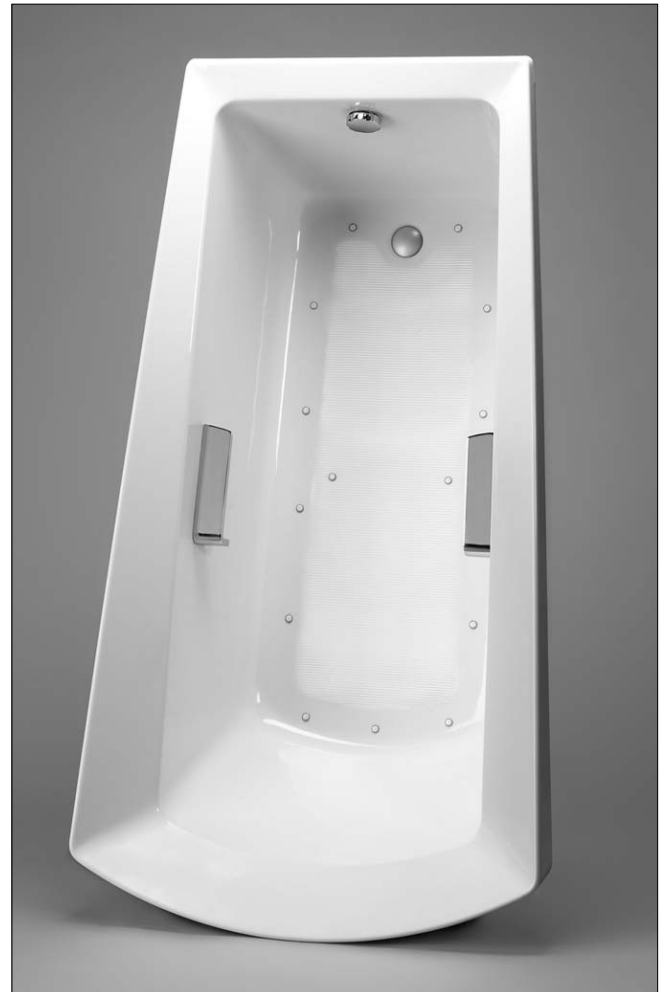
- ABR964T
Acrylic bathtub. Slip-resistant surface.
Left blower
- ABR964S
Acrylic bathtub. Slip-resistant surface.
Right blower

COLORS/FINISHES

- Shell Color
 - #01 Cotton
 - #12 Sedona Beige
- Grab Bar
 - #CP Polished Chrome
 - #BN Brushed Nickel
 - #PN Polished Nickel
- Jet Trim
 - Color matched caps

CODES/STANDARDS

- Meets and exceeds ASME A112.19.7M, CSA B45.10, UL 1795, CSA C22.2 #218.2
- Certifications: IAPMO(cUSPC), Intertek/ETL, State of Massachusetts, City of Los Angeles and others
- Code Compliance: USPC, IPC, NSPC, NPC Canada, and others



PRODUCT SPECIFICATION

The TOTO® Soirée® Air Bath™ shall have a luxuriously deep bathing well. The Air Bath shall have a cast-acrylic construction that provides high durability with a slip-resistant surface. The Air Bath shall have a 1hp ultra-quiet blower, a 300 watt heated air injection system and a final purge/drying cycle to clean each air jet. The Air Bath shall have optional solid brass grab bars with various finishes, LED lighting and a multi-functional remote. Air Bath shall be **TOTO Model ABR964**_____.

ABR964

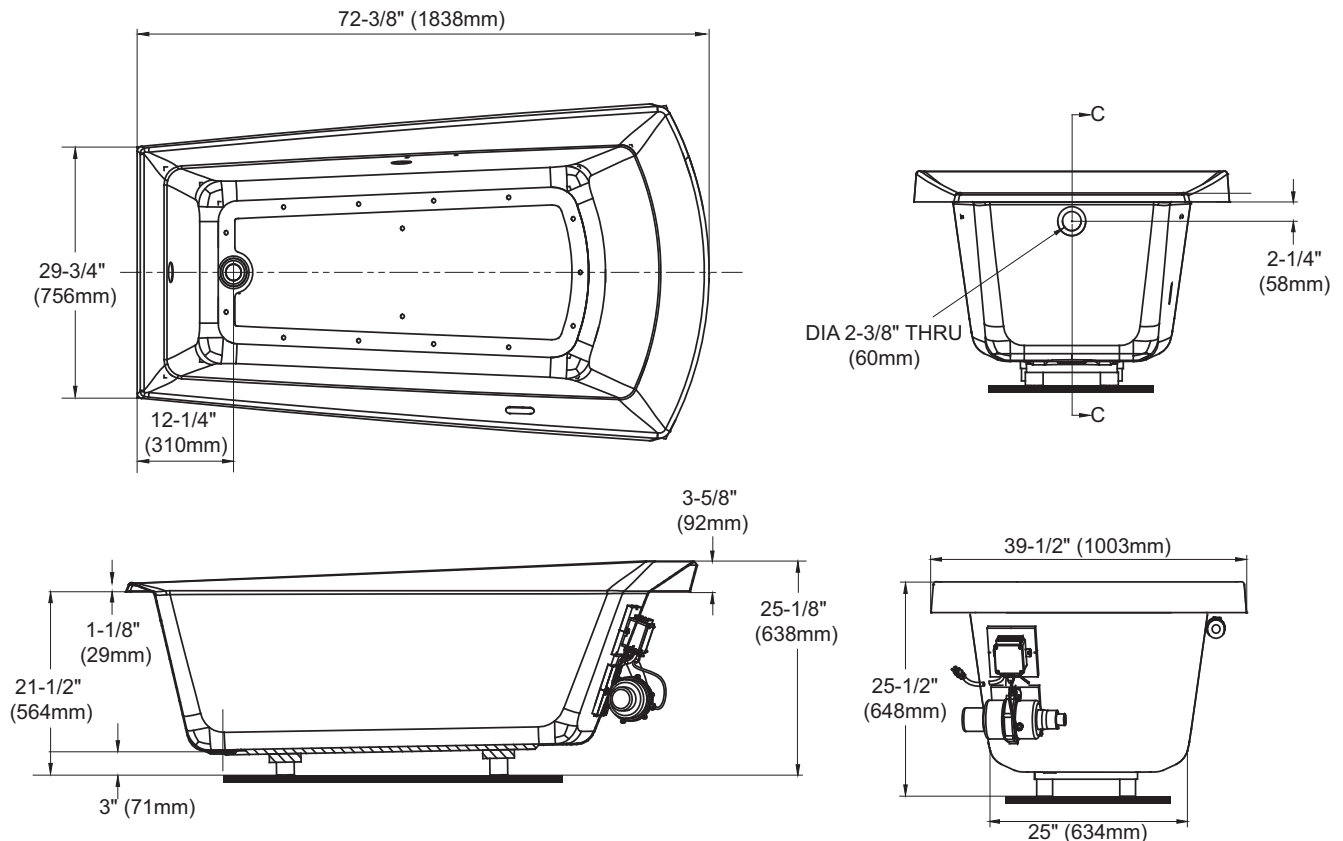
Soirée® 6' Air Bath™

SPECIFICATIONS

- Size 72-3/8" L x 39-1/2" W
- Depth 20-1/2"
- Warranty 1 Year Limited Warranty on acrylic tub
1 Year Limited Warranty on components and parts
- Material Cast Acrylic
- Electrical Requirements 15 AMP; 120V w/ GFCI
- Shipping Weight 135 lbs.
- Shipping Dimensions 74" L x 44" W x 27" H
- Gallons 98 to overflow

INSTALLATION NOTES

Floor support under bath must provide a minimum of 75 lbs/square foot (366 kg/square meter) loading.



TOTO®

These dimensions and specifications are subject to change without notice