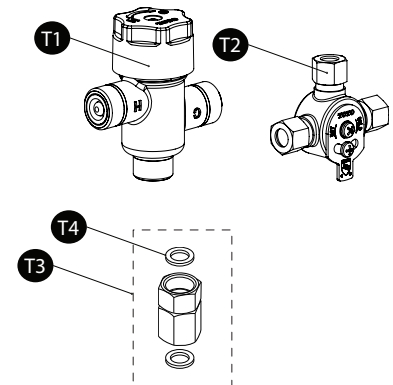
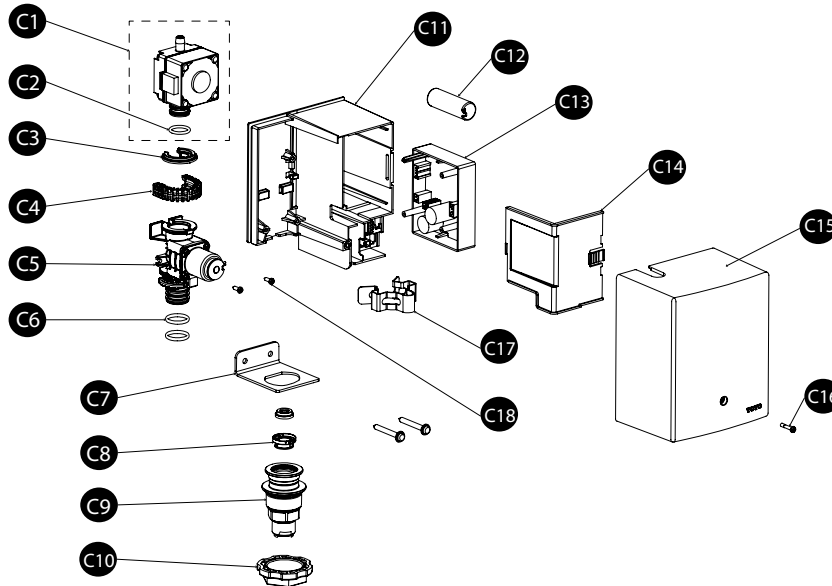
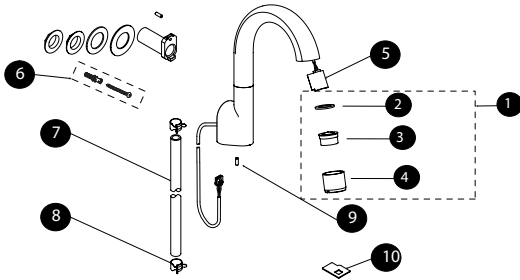


TEL16* Series

Sensor Faucet, Gooseneck Wall Mount Spout EcoPower® Self-Generation System

Product Number

- TEL165-D10E#\$\$
- TELS165#\$\$ (Gooseneck Wall Spout)
- TELC105-D10E (Controller)
- TEL165-C20E#\$\$
- TELS165#\$\$ (Gooseneck Wall Spout)
- TELC105-C20E (Controller)
- TEL161-D10E#\$\$
- TELS161#\$\$ (Gooseneck Wall Spout)
- TELC101-D10E (Controller)



Item Part	Description
-----------	-------------

Aerator Nozzle for TELS155 (0.5 gpm)

- | | | |
|---|--------------|---------------------------------|
| 1 | TH559EDV565 | Aerator Nozzle kit, for 0.5 gpm |
| 2 | THP3145 | Gasket, for 0.5 gpm |
| 4 | THP3151#\$\$ | Housing, for 0.5 gpm |

Aerator Nozzle for TELS151 (1.0 gpm)

- | | | |
|---|--------------|---------------------------------|
| 1 | TH559EDV564 | Aerator Nozzle kit, for 1.0 gpm |
| 2 | THP3144 | Gasket, for 1.0 gpm |
| 4 | THP3150#\$\$ | Housing |

Laminar Nozzle for TELS155 or TELS151

- | | | |
|---|--------------|----------------|
| 2 | THP3144 | Gasket |
| 3 | THP3094 | Laminar nozzle |
| 4 | THP3150#\$\$ | Housing |

All models

- | | | |
|----|---------|---------------------------|
| 5 | THP3155 | Sensor |
| 6 | THU3042 | Screw and Anchor (1 each) |
| 7 | THP3152 | Hose |
| 8 | THP3153 | Clip (1 pc) |
| 9 | THP3156 | Setscrew |
| 10 | THP3154 | Nozzle Removal Key |

Item Part	Description
-----------	-------------

- | | | |
|-----|-------------|---|
| C1 | TH559EDV562 | Generator for TELC105-D10E, TELC105-C20E |
| C1 | TH559EDV462 | Generator for TELC101-D10E |
| C2 | THP3132 | O-ring (1 pc) |
| C3 | THP3107 | Spacer, between Gene and Solenoid |
| C4 | THP3106 | C-Clip, between Gene and Solenoid |
| C5 | THP3108 | Solenoid Valve Unit |
| C6 | THP4115 | O-ring (1 pc) |
| C7 | THP3112 | Mount Bracket |
| C8 | THP3111 | Strainer |
| C9 | THP3102 | Adaptor, Supply in |
| C10 | THP3101 | Large Nut for Mount |
| C11 | THP3113 | Case |
| C12 | THP3053 | Backup Battery (Lithium) (1 pc) |
| C13 | THP3096 | Controller for TELC105-D10E, TELC101-D10E |
| C13 | THP3114 | Controller for TELC105-C20E |
| C14 | THP3105 | Cover, Controller |
| C15 | THP3098 | Cover |
| C16 | THP3099 | Screw for Cover |
| C17 | THP3109 | Quick Fastener |
| C18 | THP4485 | Screw (1 pc) |
| T1 | TLT10R | Thermostatic Valve |
| T2 | TLM10 | Hot/Cold Mixing Tee |
| T3 | THP3237 | Swivel Coupling G1/2 x G1/2 |
| T4 | THP3243 | Gasket (2 pc) |