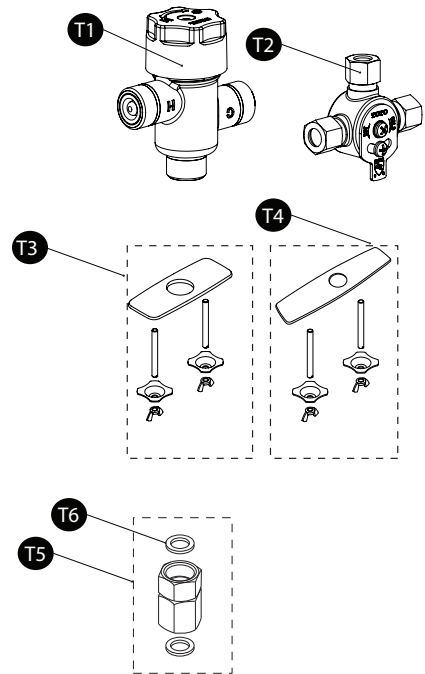
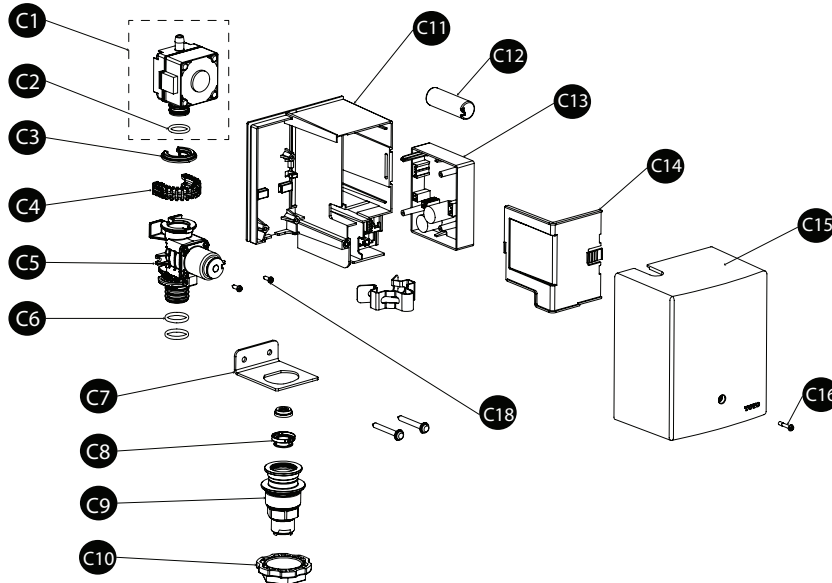
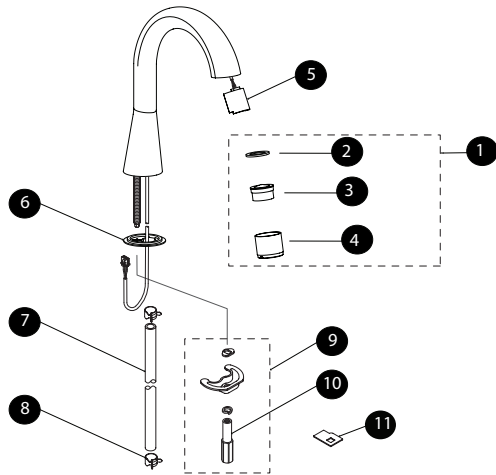


# TEL15\* Series

## Sensor Faucet, Gooseneck Spout EcoPower® Self-Generation System



### Product Number

- TEL155-D10E#\$\$
- TELS155#\$\$ (Gooseneck Spout)
- TELC105-D10E (Controller)
- TEL155-C20E#\$\$
- TELS155#\$\$ (Gooseneck Spout)
- TELC105-C20E (Controller)
- TEL151-D10E#\$\$
- TELS151#\$\$ (Gooseneck Spout)
- TELC101-D10E (Controller)

Item	Part	Description
------	------	-------------

#### Aerator Nozzle for TELS155 (0.5 gpm)

- |   |              |                                 |
|---|--------------|---------------------------------|
| 1 | TH559EDV565  | Aerator Nozzle kit, for 0.5 gpm |
| 2 | THP3145      | Gasket, for 0.5 gpm             |
| 4 | THP3151#\$\$ | Housing, for 0.5 gpm            |

#### Aerator Nozzle for TELS151 (1.0 gpm)

- |   |              |                                 |
|---|--------------|---------------------------------|
| 1 | TH559EDV564  | Aerator Nozzle kit, for 1.0 gpm |
| 2 | THP3144      | Gasket, for 1.0 gpm             |
| 4 | THP3150#\$\$ | Housing                         |

#### Laminar Nozzle for TELS155 or TELS151

- |   |              |                |
|---|--------------|----------------|
| 2 | THP3144      | Gasket         |
| 3 | THP3094      | Laminar nozzle |
| 4 | THP3150#\$\$ | Housing        |

#### All models

- |    |              |                    |
|----|--------------|--------------------|
| 5  | THP3155      | Sensor             |
| 6  | THP3149      | Gasket             |
| 7  | THP3152      | Hose               |
| 8  | THP3153      | Clip (1 pc)        |
| 9  | TH559EDV402R | Spout Mounting Kit |
| 10 | TH559EDV403R | Spout Nut          |
| 11 | THP3154      | Nozzle Removal Key |

Item	Part	Description
------	------	-------------

- |     |             |   |
|-----|-------------|---|
| C1  | TH559EDV562 | Generator for TELC105-D10E, TELC105-C20E  |
| C1  | TH559EDV462 | Generator for TELC101-D10E                |
| C2  | THP3132     | O-ring (1 pc)                             |
| C3  | THP3107     | Spacer, between Gene and Solenoid         |
| C4  | THP3106     | C-Clip, between Gene and Solenoid         |
| C5  | THP3108     | Solenoid Valve Unit                       |
| C6  | THP4115     | O-ring (1 pc)                             |
| C7  | THP3112     | Mount Bracket                             |
| C8  | THP3111     | Strainer                                  |
| C9  | THP3102     | Adaptor, Supply in                        |
| C10 | THP3101     | Large Nut for Mount                       |
| C11 | THP3113     | Case                                      |
| C12 | THP3053     | Backup Battery (Lithium) (1 pc)           |
| C13 | THP3096     | Controller for TELC105-D10E, TELC101-D10E |
| C13 | THP3114     | Controller for TELC105-C20E               |
| C14 | THP3105     | Cover, Controller                         |
| C15 | THP3098     | Cover                                     |
| C16 | THP3099     | Screw for Cover                           |
| C17 | THP3109     | Quick Fastener                            |
| C18 | THP4485     | Screw (1 pc)                              |
| T1  | TLT10R      | Thermostatic Valve                        |
| T2  | TLM10       | Hot/Cold Mixing Tee                       |
| T3  | THP3158#CP  | Cover Plate – 4"                          |
| T4  | THP3159#CP  | Cover Plate – 8"                          |
| T5  | THP3237     | Swivel Coupling G1/2 x G1/2               |
| T6  | THP3243     | Gasket (2 pc)                             |