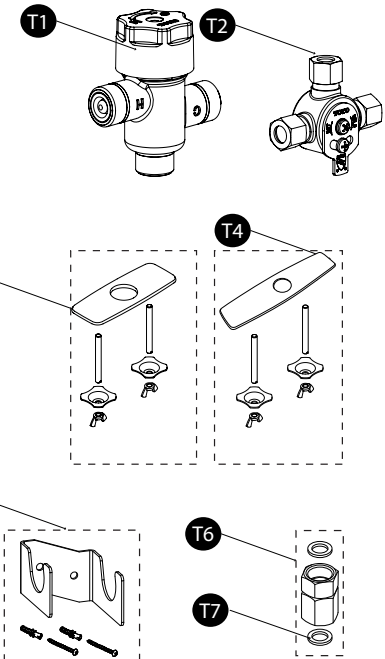
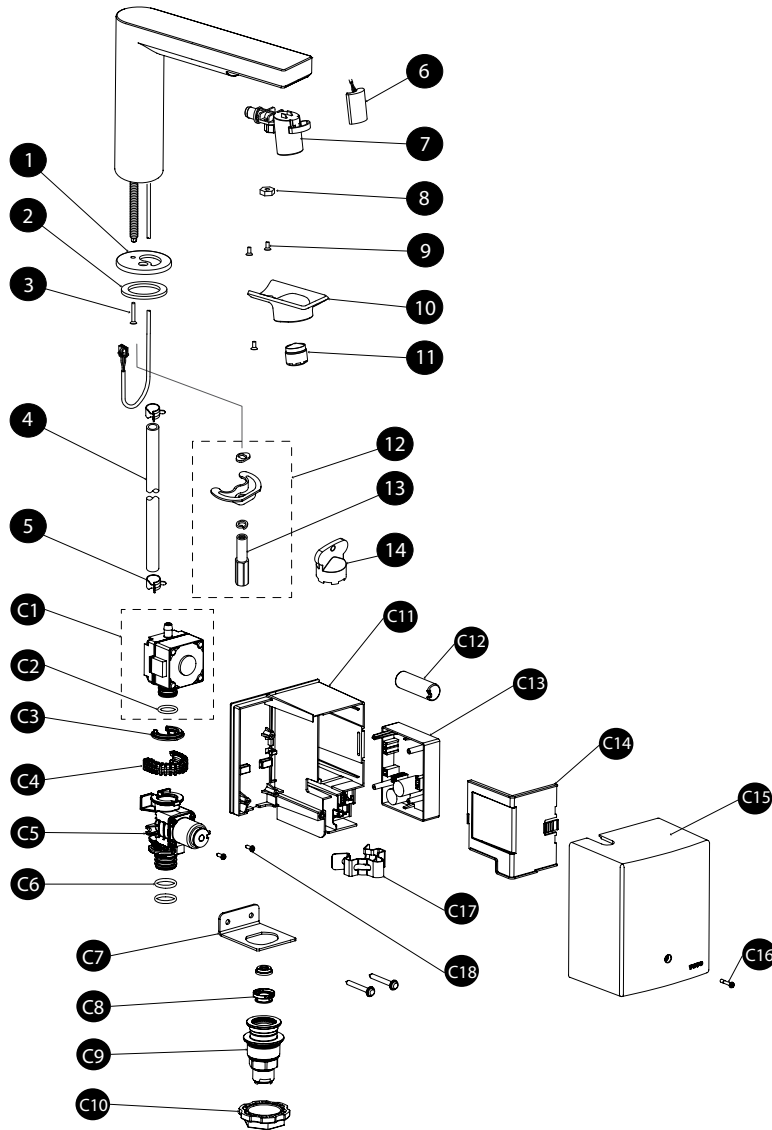


# TELS1B\* Series

TELS1B1#CP  
TELS1B5#CP

## Sensor Faucet, Libella™-M Spout EcoPower® Self Generation System



Product Number	
TEL1B5-D10E#\$\$	TELS1B5#\$\$ (Libella Spout)
	TELC105-D10E (Controller)
TEL1B5-C20E#\$\$	TELS1B5#\$\$ (Libella Spout)
	TELC105-C20E (Controller)
TEL1B1-D10E#\$\$	TELS1B1#\$\$ (Libella Spout)
	TELC101-D10E (Controller)

Item	Part	Description
1	THP3169#CP	Base Plate
2	THP3170	Base Gasket
3	THP3115	Bottom Plate Screw
4	THP3152	Hose
5	THP3153	Clip (1 pc)
6	THP3155	Sensor
7	THP3174	Aerator Housing
8	THP3175	Nut
9	THP3176	Screw (1 pc)
10	THP3178#CP	Cover, nozzle area
11	THP3177	Aerator (1.0 gpm)
	THP3124	Aerator (0.5 gpm)
12	TH559EDV402R	Spout Mounting Kit
13	TH559EDV403R	Spout Nut
14	THP3179	Aerator Removal Key
C1	TH559EDV562	Generator for TELC105-D10E, TELC105-C20E
C1	TH559EDV462	Generator for TELC101-D10E
C2	THP3132	O-ring (1 pc)
C3	THP3107	Spacer, Gene & Solenoid
C4	THP3106	C-Clip, Gene & Solenoid

Item	Part	Description
C5	THP3108	Solenoid Valve Unit
C6	THP4115	O-ring (1 pc)
C7	THP3112	Mount Bracket
C8	THP3111	Strainer
C9	THP3102	Adaptor, Supply in
C10	THP3101	Large Nut for Mount
C11	THP3113	Case
C12	THP3053	Backup Battery (Lithium) (1 pc)
C13	THP3096	Controller for TELC105-D10E, TELC101-D10E
C13	THP3114	Controller for TELC105-C20E
C14	THP3105	Cover, Controller
C15	THP3098	Cover
C16	THP3099	Screw for Cover
C17	THP3109	Quick Fastener
C18	THP4485	Screw (1 pc)
T1	TLT10R	Thermostatic Valve
T2	TLM10	Hot/Cold Mixing Tee
T3	THP3158#CP	Cover Plate - 4"
T4	THP3159#CP	Cover Plate - 8"
T5	THP5084	TLT10(R) Mounting Bracket
T6	THP3237	TLT10(R) Swivel Coupling
T7	THP3243	Gasket (2 pc)