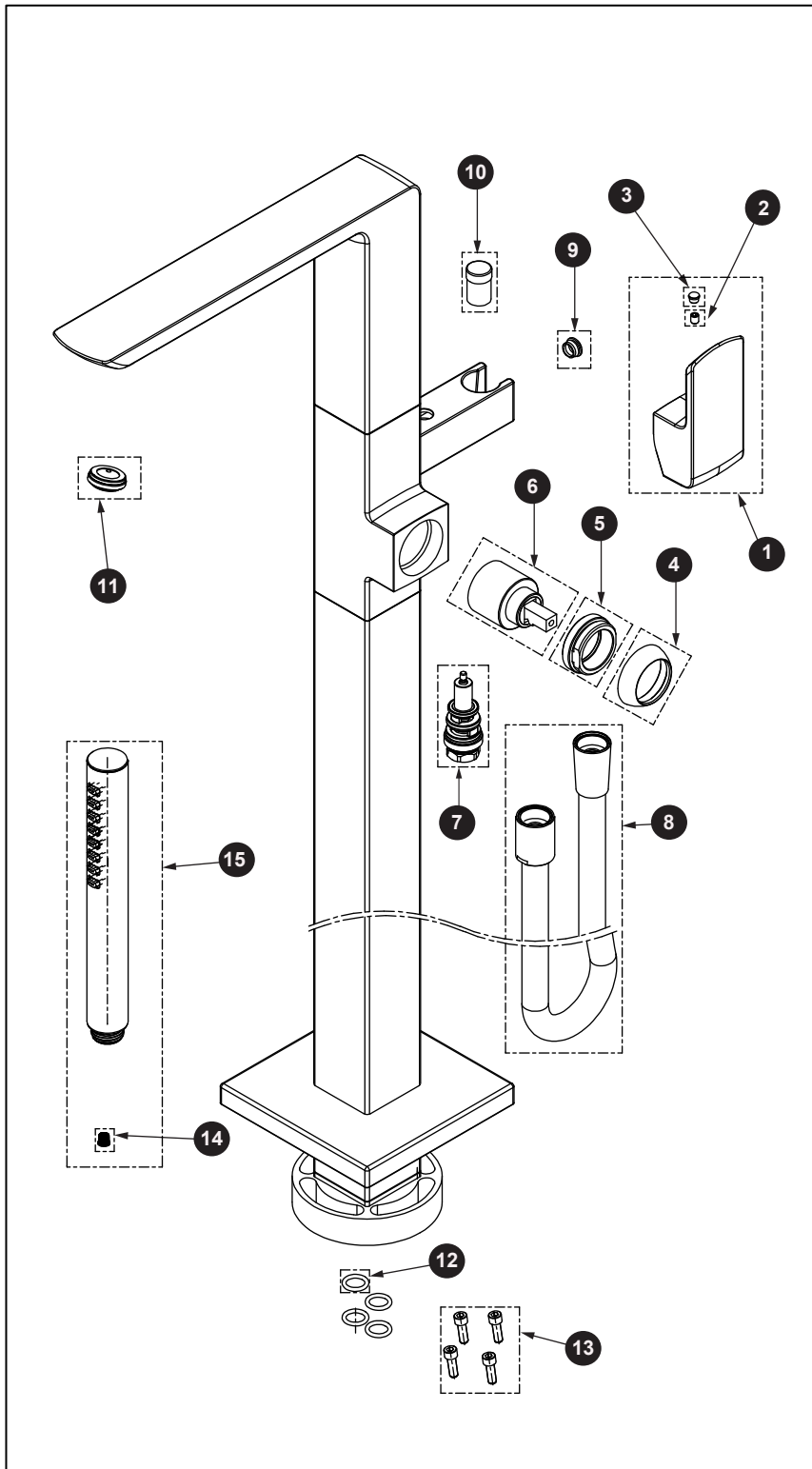


GR
Freestanding Tub Filler



Item	Part	Description
1*	THP5208#\$\$	Handle Assembly
2	THP5110	Set Screw
3	THP5296	Plug
4*	THP5209#\$\$	Cover Nut
5	THP5210	Valve Gland
6	THP5156	Cartridge
7	THP5317	Diverter
8	THP5318	Shower Hose
9	THP5319	Cap
10	THP5320	Diverter Knob
11	THP5310	Aerator
12	THP5321	O-Ring (1pc/pkg)
13	THP5322	Hex Screws (4pcs/pkg)
14	THP5291	Filter Screen
15*	TBW02016U4#\$\$	Hand Shower

* Please specify finish when ordering

LEGEND
\$\$ = Denotes Finish
#CP = Polished Chrome
#BN = Brushed Nickel