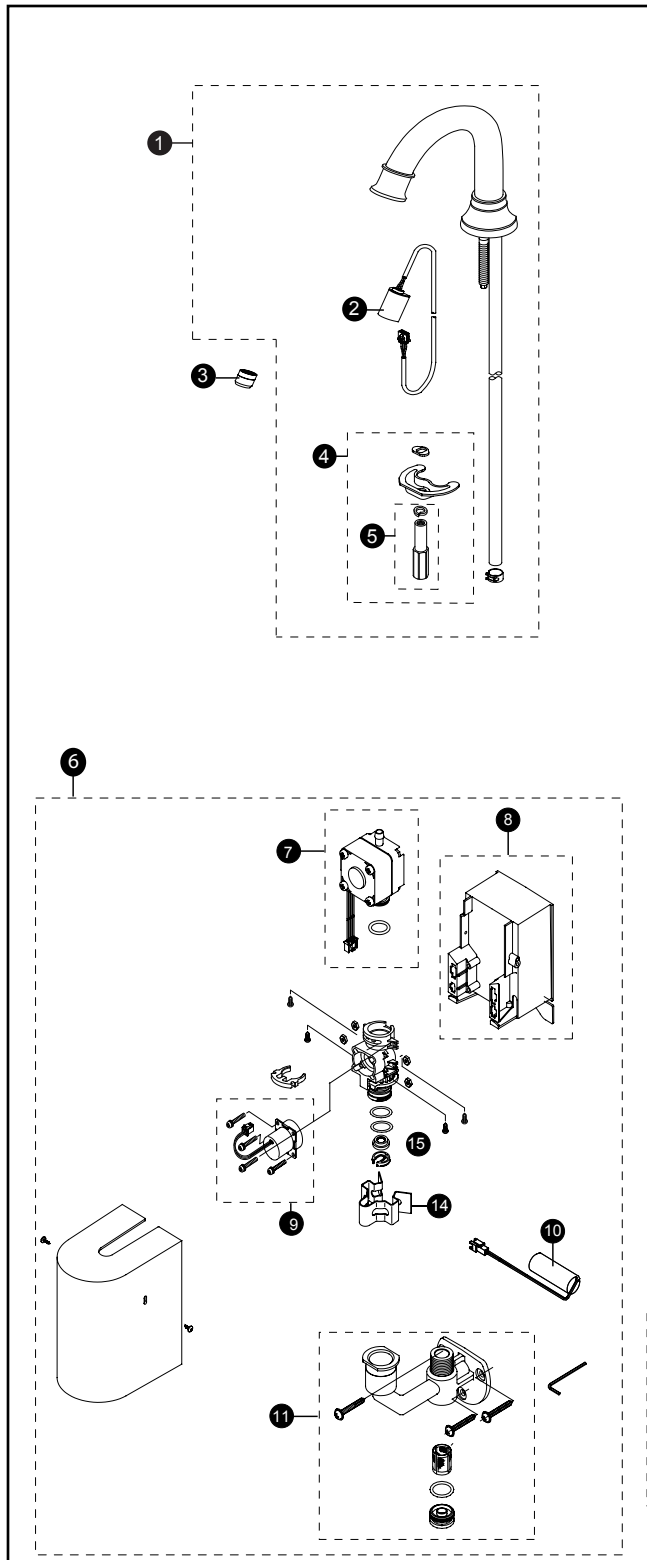


TEL3LT10(R)#CP

TEL3LT10#CP
 TEL3LT10R#CP
 TELLT100#CP (Spout)
 TN78-9V710 (Controller)

Sensor Faucet, Fordham™ Spout EcoPower® Self-Generating System Single Supply, 0.5 GPM



Item	Part	Description
1	THP3021#CP	Spout Assembly (without nozzle)
2	TH559EDV436	Sensor
3	THU3048#CP	Nozzle Assembly Set (0.5 GPM Aerator Flow Type)
4	TH559EDV402R	Spout Mounting Kit
5	TH559EDV403R	Spout Nut
6	TN78-9V710	Controller Assembly
7	TH559EDV562	0.5 GPM Dynamo HydroPower Generator
8	TH559EDV559	Single Dynamo Control Unit 10 Sec.
9	TH559EDV464	Solenoid & Diaphragm Assembly
10	THP3053	Back-Up Battery
11	T559EDV466R	Mounting Bracket Set
12	TN71V100S	Cover Plate - 4"
13	71244T8CC	Cover Plate - 8"
14	TH559EDV255	Metal Clip
15	TH559EDV570	0.5GPM regulator

Product Number Explanations

Sensor Faucet

- (T) Fitting
- (E) Electronic
- (L) Lavatory
- (3) Single Supply
- (L) 0.5 GPM Generator Type
- (T) Fordham Spout
- (10) 10 Second
- (#CP) Chrome Finish