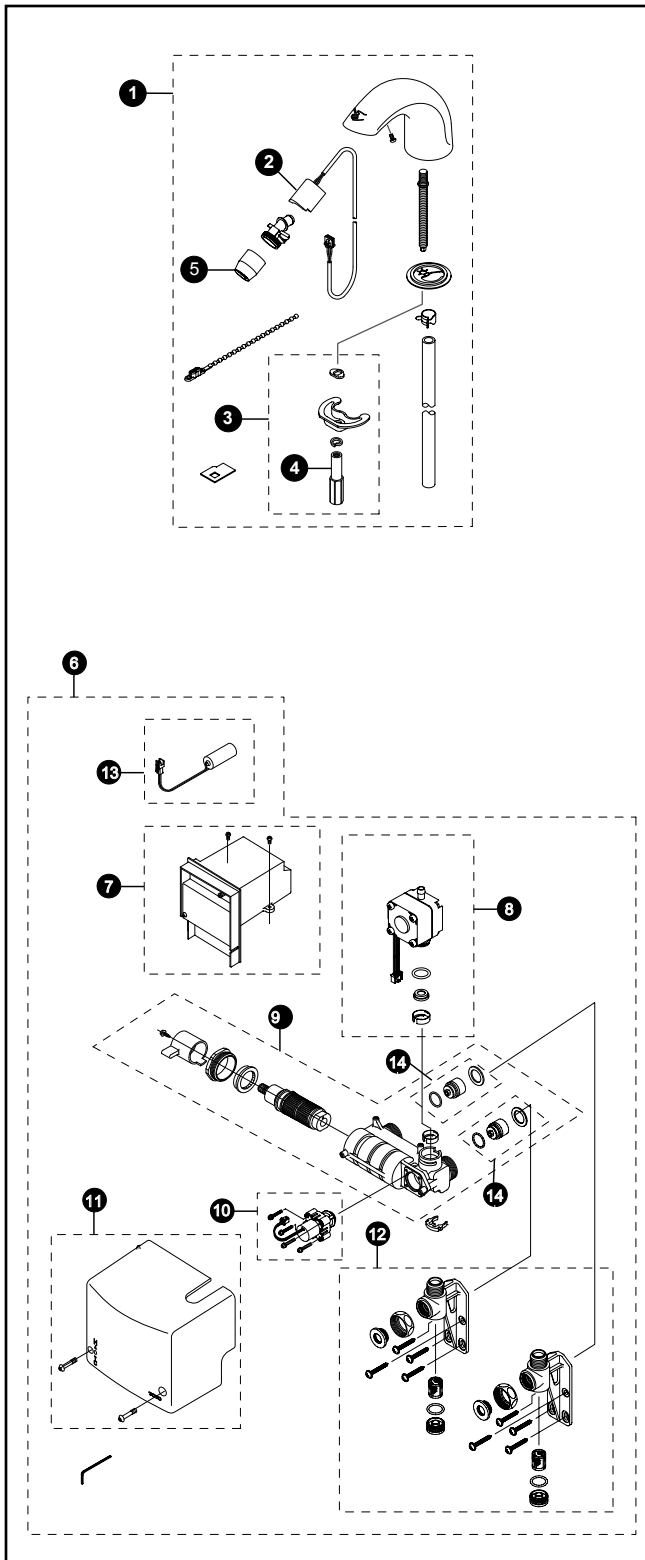


# TEL5GS10/60#CP

TEL5GS10#CP  
 TEL5GS60#CP  
 TELGS100#\$\$ (Spout)  
 TN78-10V510 (TEL5GS10#CP Controller)  
 TN78-10V560 (TEL5GS60#CP Controller)

## Sensor Faucet, Standard Spout Self-Generating EcoPower® System Thermal Mixing, 1.0 GPM



Item	Part	Description
1	TELGS100#\$\$	Spout Assembly
2	TH559EDV545	Sensor
3	TH559EDV402R	Spout Mounting Kit
4	TH559EDV403R	Spout Nut
5	TH559EDV567	Nozzle Assembly Set (Aerator Flow Type)
6	TN78-10V510	Controller Assembly (TEL5GS10#CP)
	TN78-10V560	Controller Assembly (TEL5GS60#CP)
7	TH559EDV560	Thermal Dynamo Control Unit 10 sec.
	TH559EDV467	Thermal Dynamo Control Unit 60 sec.
8	TH559EDV561	Dynamo & Flow Control Unit
9	TH559EDV469	Thermal Mixing Valve
10	TH559EDV470	Solenoid & Diaphragm Assembly
11	TH559EDV471	Control Cover Set
12	TH559EDV429R	Mounting Bracket Set
13	TH559EDV410R	Back Up Battery
14	TH559EDV472	Check Valve
15	TN71V100S	Cover Plate - 4"
16	71244T8CC	Cover Plate - 8"

### Product Number Explanations

#### Faucet

(T) Fitting  
 (E) Electronic  
 (L) Lavatory  
 (S) Thermal Mixing  
 (G) Generator Type  
 (S) Standard Spout  
 (10) 10 Second  
 (60) 60 Second  
 (#CP) Chrome Finish