

Helix® Wall-Mount EcoPower® Faucet

FEATURES

- Self-generating hydropowered EcoPower system
- No minimum daily usage requirement
- Micro-sensor positioned underneath the spout head for accurate hand detection ensuring smooth and consistent water distribution
- Vandal resistant aerator housing
- Durable chrome plated spout body
- Single-hole mount
- Kit includes spout body, controller box , and mounting hardware - less supply lines
- 0.5 gpm aerated flow

MODELS

- TEL135-D10E**
 - TELS135 (Helix WM Spout)
 - TELC105-D10E (Controller: 0.09gpc, 10 sec on-demand)
- TEL135-D10EM
 - **TEL135-D10E** (Helix WM Spout Kit)
 - TLM10 (Mixing Valve)
- TEL135-D10ET
 - **TEL135-D10E** (Helix WM Spout Kit)
 - TLT10R (Thermostatic Mixing Valve)
- TEL135-C20E**
 - TELS135 (Helix WM Spout)
 - TELC105-C20E (Controller: 0.19gpc, 20 sec continuous)
- TEL135-C20EM
 - **TEL135-C20E** (Helix WM Spout Kit)
 - TLM10 (Mixing Valve)
- TEL135-C20ET
 - **TEL135-C20E** (Helix WM Spout Kit)
 - TLT10R (Thermostatic Mixing Valve)

COLORS/FINISHES

- #CP Polished Chrome

OPTIONAL ACCESSORIES

- TH559EDV566 – Laminar Flow Nozzle
- THP3237 - Swivel Coupling



PRODUCT SPECIFICATION

TOTO Model # _____ The faucet shall have hydropowered self-generating, EcoPower System. The faucet shall have maximum of 10 seconds on-demand flow (0.09gpc), or 20 seconds continuous flow (0.19gpc). Product shall have anti-scald shape memory alloy thermostatic mixing valve (-ET models only). The faucet shall have self-adjusting sensor.

CODES/STANDARDS

- Operates below federally mandated consumption limit of 0.25gpc
- Complies to California Green Building Code, CALGreen of 0.20 gpc
- Meets or exceeds ASME A112.18.1M/CSA B125.1, and NSF372-2011
- Certifications: IAPMO(cUPC), State of Massachusetts, and others
- California Green Code and City of Los Angeles Water Efficiency Ordinance
- ADA compliant
- Complies with federal and state statutes as low-lead (contains a weighted average of 0.25% lead or less)

* For codes and standards of mixing valves TLM10 and TLT10R, please refer to corresponding product spec sheets.



TEL135 Series

Helix® Wall-Mount EcoPower® Faucet

SPECIFICATIONS

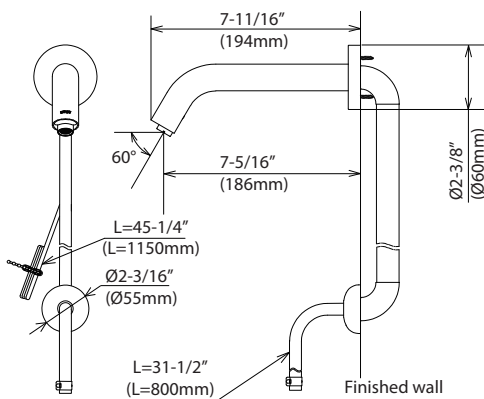
Power Supply	EcoPower
Sensor Detection Range	5-1/8" - 7-7/8" (130 - 200mm) Sensor is self-adjusting
Water Supply Pressure	Min (Dynamic/Flowing) Pressure: 15psi (100kPa) Max (Static) Pressure: 80 psi (551kPa)
Water Supply	G1/2 (1/2 NPSM compatible)
Inlet Temperature Range	32-110°F(0-42°C)
Ambient Temperature	32-104°F(0-40°C)
Humidity	Max. 90% RH
Flow Rate	0.09 gpc* - max 10 second On-Demand** (0.09 gpc = 0.5 gpm x 10/60 sec) Equipped with 0.5 gpm flow control
	0.19 gpc* - 20 second Continuous*** (0.19 gpc = 0.5 gpm x 20/60 sec) Equipped with 0.5 gpm aerated flow
Warranty	Three years

*Gallons per cycle (gpc) is the amount of water per usage cycle .

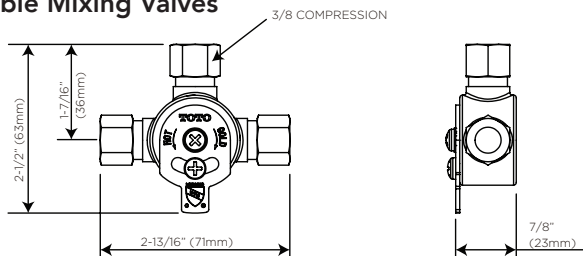
** On-demand refers to the way in which the water is dispersed (i.e.; water is only dispersed when the sensor is activated by the user as needed).

*** Continuous means that water is dispersed for a continuous 20 second cycle.

Helix Wall-Mount



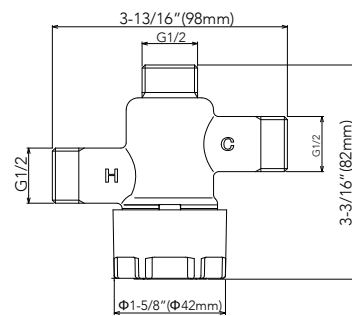
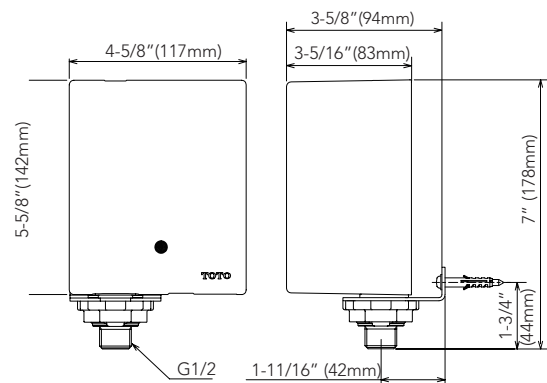
Available Mixing Valves



Hot/Cold Mixing Tee (TLM10)

TOTO®

Controller



Thermostatic Mixing Valve (TLT10R)

These dimensions and specifications are subject to change without notice