

# TOTO®

# TL170SD12

## Kiwami® Renesse® Single-handle Lavatory Faucet

### FEATURES

- WaterSense certified low-flow 1.2 gpm (4.5 lpm) faucet
- Lever handle
- Solid brass construction
- Ceramic disk valve cartridge
- Metal pop-up drain assembly included

### COLORS/FINISHES

- #CP Polished Chrome

### OPTIONAL ACCESSORIES

- THP3158#CP - 4" Cover Plate
- 71244T8CC - 8" Cover Plate



### CODES/STANDARDS

- Complies with federal and state lead-free legislation
- Meets or exceeds ASME A112.18.1/CSA B125.1, NSF 61-9, NSF 372
- Certifications: IAPMO(cUPC), EPA WaterSense, California Energy Commission (CEC), State of Massachusetts and others
- Code Compliance: UPC, IPC, NSPC, NPC Canada, California Green Building Code, City of Los Angeles Water Efficiency Ordinance, City of New York and others
- ADA compliant



### PRODUCT SPECIFICATION

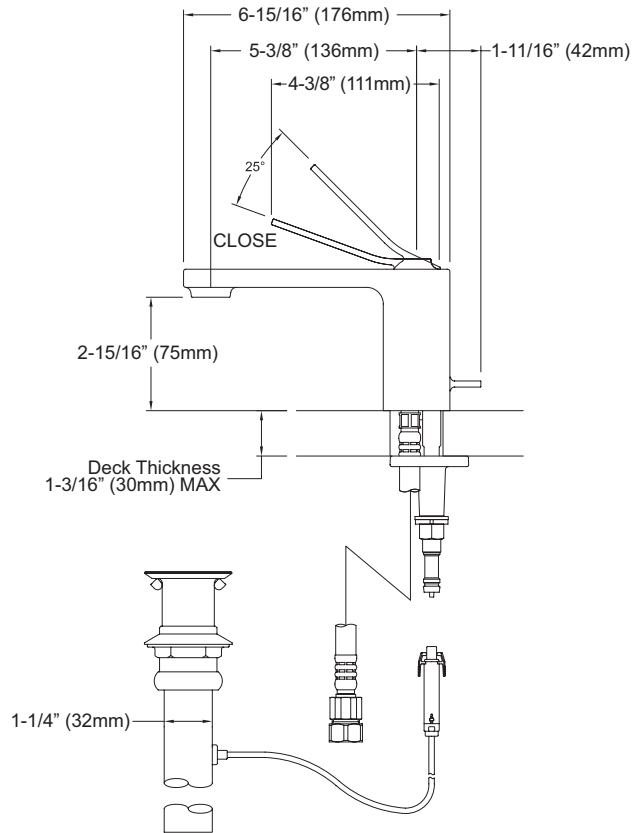
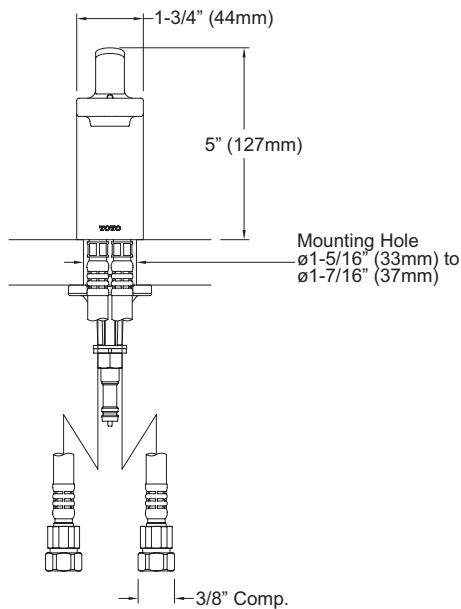
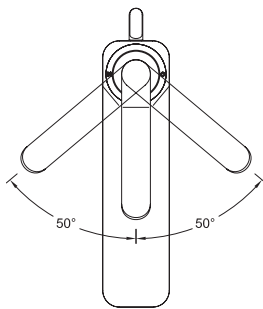
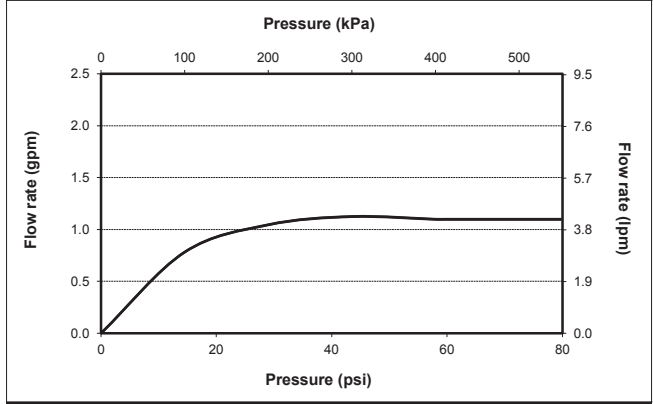
The single-handle lavatory faucet shall have a maximum flow rate of 1.2 gpm (4.5 lpm). Product shall have a lever handle. Product shall have a solid brass construction. Product shall have a ceramic disk valve cartridge. Product shall include metal pop-up drain assembly. Product shall be TOTO Model TL170SD12#CP.

# TL170SD12

## Kiwami® Renesse® Single-handle Lavatory Faucet

### SPECIFICATIONS

- Warranty: Lifetime Limited Warranty (Residential Use)  
One Year (Commercial Use)
- Material: Brass
- Maximum Flow Rate: 1.2 gpm (4.5 lpm)
- Shipping Weight: 8.0 lbs.
- Shipping Dimensions: 20-1/2" L x 10" W x 3-1/2" H



**TOTO**

*These dimensions and specifications are subject to change without notice*