

High-Efficiency 1/8 GPF Washout Urinal

FEATURES

- Compact urinal with concealed integral trap
- Washout flush action with 3/4" top or back spud inlet
- Optional SanaGloss® ceramic glaze - SanaGloss glaze prevents debris and mold from sticking to ceramic surfaces, leading to fewer chemicals.

MODELS

- UT105U
Urinal with 3/4" top spud inlet
- UT105UG
Urinal with 3/4" top spud inlet and SanaGloss
- UT105UV
Urinal with 3/4" back spud inlet
- UT105UVG
Urinal with 3/4" back spud inlet and SanaGloss

RECOMMENDED FLUSH VALVES	
UT105U(G)	UT105UV(G)
TEU1UN12#CP	TEU2UN11#SS
	TEU3UN11#SS



COLORS/FINISHES

- #01 Cotton (SanaGloss optional)
- #03 Bone (special order only)
- #12 Sedona Beige (special order only)

PRODUCT SPECIFICATION

The wall-mounted, ADA compliant, high-efficiency washout urinal shall be 0.125GPF/0.47LPF when paired with a 0.125GPF flushometer valve. Urinal shall have optional SanaGloss ceramic glaze. Urinal specified shall be model UT105U__.

CODES/STANDARDS

- Meets and exceeds ASME A112.19.2/CSA B45.1,
- Certifications: IAPMO(cUPC), State of Massachusetts, City of Los Angeles
- Code compliance: UPC, IPC, NSPC, NPC Canada, and others
- Legislative compliance: California AB715, California Green Building Code
- ADA compliant



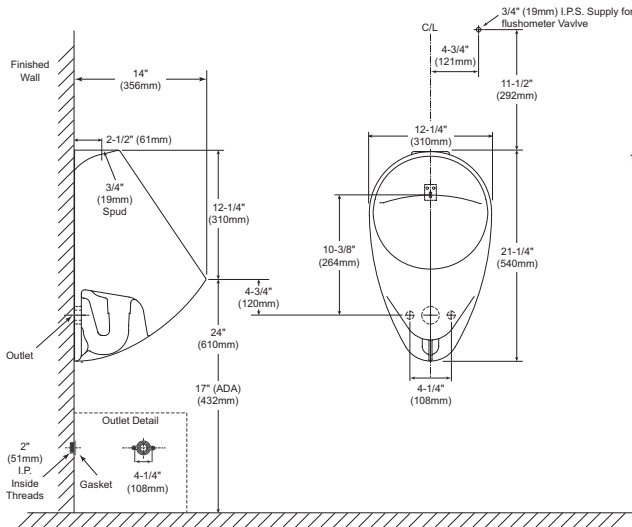
UT105U(V)(G)

High-Efficiency 1/8 GPF Washout Urinal

SPECIFICATIONS

- Water Use 0.125GPF/0.47LPF
- Flush System Washout flush action
- Warranty One Year Limited Warranty
- Material Vitreous china
- Min. Water Pressure 15 psi (flowing)
- Height (Urinal Only) 21-3/4"
- Width 12-1/4"
- Rim 14"
- Shipping Weight UT105U(V)(G) - 37.5lbs
- Shipping Dimensions UT105U(V)(G)
24" L x 13-3/4" W x 17" H

Top Spud Installation



Back Spud Installation

