

Wyeth™ Single-Handle Lavatory Faucet

FEATURES

- WaterSense certified low-flow 1.5 gpm (5.7 lpm) faucet
- Lever handle
- Pivoting Aerator
- Brass construction
- Ceramic disk mixing cartridge
- Metal pop-up drain assembly included

COLORS/FINISHES

- #CP Polished Chrome
- #BN Brushed Nickel
- #PN Polished Nickel



CODES/STANDARDS

- Meets or exceeds ASME A112.18.1/CSA B125.1, NSF 61-9
- Certifications: IAPMO(cUPC), EPA WaterSense, State of Massachusetts and others
- Code Compliance: UPC, IPC, NSPC, NPC Canada, and others
- Legislative compliance: California AB1953, Vermont S.152 & Maryland HB. 372, California Green Building Code, City of Los Angeles Water Efficiency Ordinance
- ADA compliant



PRODUCT SPECIFICATION

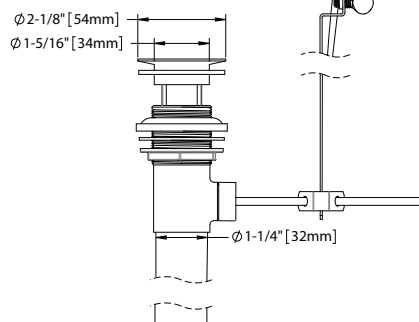
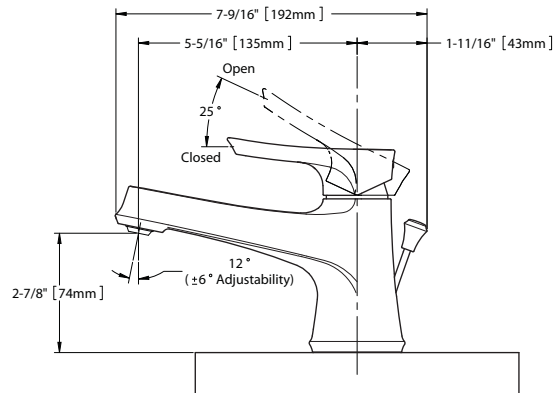
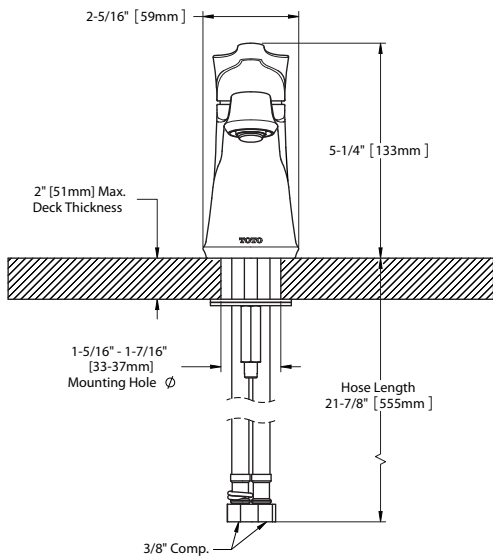
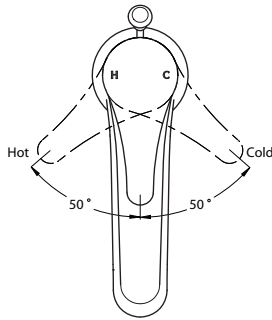
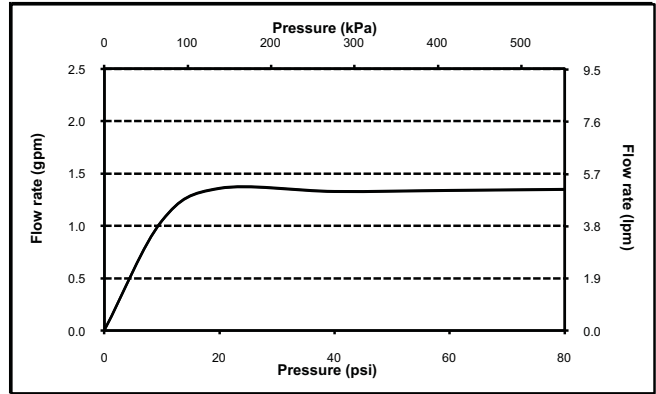
The single-handle lavatory faucet shall have a maximum flow rate of 1.5 gpm (5.7 lpm). Product shall have lever handle. Product shall have a pivoting aerator. Product shall have a brass construction. Product shall have a ceramic disk mixing cartridge. Product shall include metal pop-up drain assembly. Product shall be TOTO Model TL230SD#_____.

TL230SD

Wyeth™ Single-Handle Lavatory Faucet

SPECIFICATIONS

- Warranty**
 - Lifetime Limited Warranty (Residential Use)
 - One Year (Commercial Use)
- Material**
 - Brass
- Shipping Dimensions**
 - 15" L x 7-7/8" W x 3" H
- Shipping Weight**
 - 4.6 lbs.
- Maximum Flow Rate**
 - 1.5 gpm (5.7 lpm)



TOTO

These dimensions and specifications are subject to change without notice