

STUDIO

by TRANSOLID

58¹/₄" x 28³/₄" MARISOL Freestanding Bathtub SML5829

FEATURES

- 58¹⁷/₆₄" x 28⁴⁷/₆₄" x 22⁴¹/₆₄" freestanding bathtub.
- Transolid® resin stone is a composite of modified acrylic and natural stone.
- Center drain location. Spring-loaded chrome finish bottom drain included.
- Built-in overflow.
- 10 Year Limited Residential Warranty
3 Year Commercial Warranty

COLOR

- 01 White

FINISH

- (V) velvet

OPTION

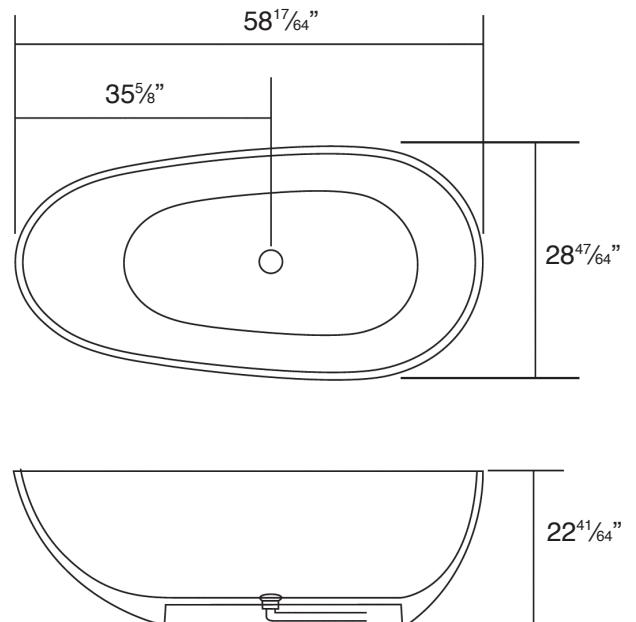
- TD10 Bathtub drain with overflow in decorative finishes: BN, PN, ORB, VB, MB, WH finishes. See back for information.



BATHTUBS

Specified Model

Model	SML5828
Dimensions	L58 ¹⁷ / ₆₄ " x W28 ⁴⁷ / ₆₄ " x H22 ⁴¹ / ₆₄ "
Drain Outlet	Center
Water Capacity	67 gallons
Cubic Feet	38.17
Item Weight	287 lbs.
Shipping Weight	394 lbs.
Material	Resin Stone
Installation	freestanding, floor mounted
Required	floor or wall mount faucet not supplied



To Be Specified:

	COLOR
<input type="checkbox"/>	01 White
	FINISH
<input type="checkbox"/>	V Velvet
	DRAIN COVER
<input type="checkbox"/>	C Chrome

Compliance Certifications -

Meets or Exceeds the Following Specifications:

- CSA B45.5/IAPMO Z124



01 White

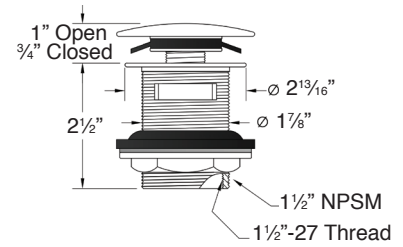
OPTIONAL

Bathtub Drain in decorative finishes

SPECIFICATIONS

TD10 EZ-Click Bathtub Drain with overflow. Drain tube not included.

Finishes: BN Brushed Nickel, PN Polished Nickel, ORB Oil Rubbed Bronze, VB Venetian Bronze, MB Matte Black, WH White



To Be Specified:

	FINISH
<input type="checkbox"/>	BN Brushed Nickel
<input type="checkbox"/>	PN Polished Nickel
<input type="checkbox"/>	ORB Oil Rubbed Bronze
<input type="checkbox"/>	VB Venetian Bronze
<input type="checkbox"/>	MB Matte Black
<input type="checkbox"/>	WH White

