

Features

- 29⁵/₁₆" (757) x 18⁴⁵/₆₄" (475) x 10³/₃₂" (257) kitchen sink.
- Single compartment.
- Sink is glazed on all four exterior sides. Suitable for undermount, flush mount, built-up, or above counter installation.
- Farmhouse style with a wrap around 10³/₃₂" (257) high apron front.
- Made of highest grade fireclay, which is clay heated to an extremely high 1600° making the sink hard and durable, with a beautiful high shine.
- Durability of fireclay means it is resistant to scratches and chips and is easy to clean.
- Extra deep bowl means more room for big pots.
- Fits 36" (914) minimum base cabinet width.

Components

Product includes:
Installation Instructions

Options

- 2210R Covered Sink Strainer
- 4010 Covered Disposer Strainer

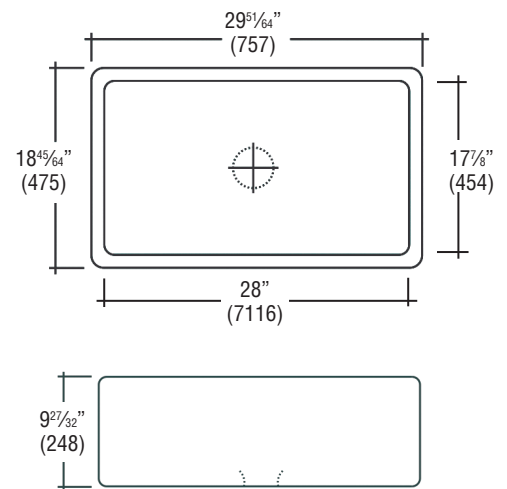
Warranty

- Lifetime Limited Warranty



Specified Model

Model	FUST301910
Overall Dimensions	L29 ⁵ / ₁₆ " x W18 ⁴⁵ / ₆₄ " x D10 ³ / ₃₂ " 757 x 475 x 257
Bowl Dimensions	L28" x W17 ⁷ / ₈ " x D9 ²⁷ / ₃₂ " 711 x 454 x 248
Drain hole:	3 ⁵ / ₈ " (92mm)
Shipping Weight	90.4 lbs. 41 k.g.
Material	Fireclay
Color	White
Installation	under counter mounted
Required	template, included



Codes/Standards

ASME A112.19.3/CSA B45.4

Notes

Install this product according to the installation instructions.