

## FEATURES

- Close coupled 1-pc. toilet, less seat.
- 12" (305mm) rough-in.
- Vitreous china.
- Dual flush 1.6 gpf/1.0 gpf.
- Gravity feed, siphon action bowl.
- 2" fully-glazed trapway.
- 16" comfort height. ADA compliant.
- Chrome flush push button.
- 2 color-matched bolt caps.
- 5 Year Limited Residential Warranty / 1 Year Commercial Warranty

## COLORS

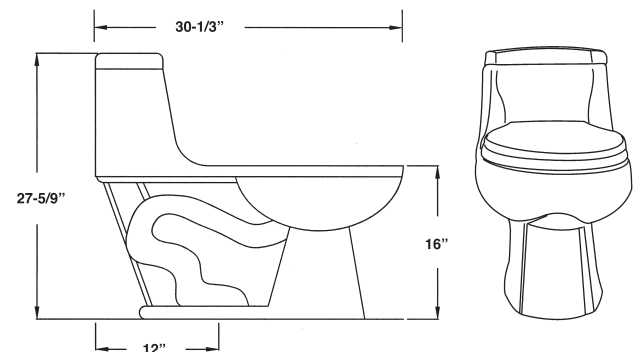
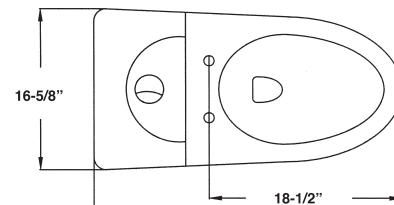
- White
- Biscuit



TOILETS/LAVS

## Specified Model

	MODEL NO.	DESCRIPTION	Length	Width	Height
<b>COMPLETE TOILET</b>					
<input type="checkbox"/>	TBTS-1495	Elongated Front Toilet	30 <sup>1</sup> / <sub>3</sub> "	16 <sup>5</sup> / <sub>8</sub> "	27 <sup>5</sup> / <sub>9</sub> "



## To Be Specified: Color (see below)

<input type="checkbox"/>	01 White
<input type="checkbox"/>	08 Biscuit

## Compliance Certifications - Meets or Exceeds the Following Specifications

- ASME A112.19.2M-1998
- Canadian Uniform Plumbing Code 2002
- UPC®



Meets the Americans with Disabilities Act guidelines and ANSI A117.1 requirements for accessible and usable building facilities-check local codes

This toilet is designed to rough-in at a minimum dimension of 305mm (12") from finished wall to C/L of outlet. Supply not included with fixture and must be ordered separately.

Dimension shown for location of supply is suggested. For additional information refer to installation instructions supplied.