

FEATURES

- 38" x 38" Neo Angle Shower Walls for existing construction.
- Solid Surface material for superior strength, beauty and easy cleaning. Surface will not support bacteria growth.
- Walls can be attached to moisture-resistant wall board, or directly over tile with supplied adhesive. Walls are trimmable for custom fit.
- Integrated pieces fit together for an easy, clean installation.
- 2 Piece Wall Kit includes two end walls and trim kit which includes 1 corner cove molding piece, 2 corner blocks, finish trim to fit along the top of wall panels and down the outer sides to the shower base, one 11-oz. tube color-matched caulk, three 11-oz. tubes 100% silicone adhesive and one roll mounting tape.
- 5 Year Limited Residential Warranty / 1 Year Commercial Warranty

COLORS

- 7 Décor colors.

OPTIONS

- Matching shower base.
- 3 Shampoo Caddies, Corner Seat, Corner Shelf, Corner Soap Dish and a Window Trim Kit also available. See Accessories Specification sheet for details.



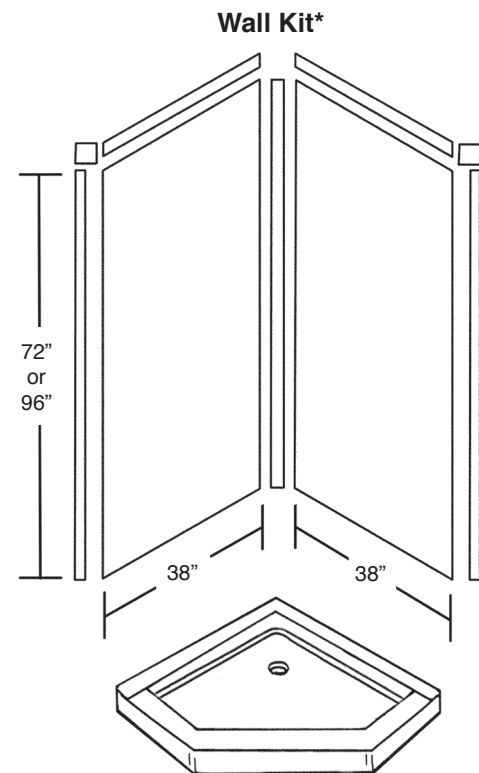
Shown with PAN3838NCC Shower Base, ACCESS0002 Recessed Shampoo Caddy

Specified Model

	SIZE	MODEL NO.	DESCRIPTION	Width	Depth	Height
SHOWER WALL KIT						
<input type="checkbox"/>	38" x 38"	WK38NE72	Shower Wall Kit	38"	to 38"	72"
<input type="checkbox"/>	38" x 38"	WK38NE96	Shower Wall Kit	38"	to 38"	96"
OPTIONAL COMPONENTS						
<input type="checkbox"/>	38" x 38"	PAN3838NCC	Shower Base	38"	38"	4"
	Caddies, Shelves, Seat and Window Trim Kit (see separate spec. sheet)					
COMPLETE SHOWER KITS						
<input type="checkbox"/>	38" x 38"	SK38NE72	Walls & Base Kit	38"	38"	76"
<input type="checkbox"/>	38" x 38"	SK38NE96	Walls & Base Kit	38"	38"	100"

To Be Specified: Color

<input type="checkbox"/>	A0 Desert Earth
<input type="checkbox"/>	A1 Moonlight
<input type="checkbox"/>	A2 Seaside
<input type="checkbox"/>	A6 Cameo
<input type="checkbox"/>	A8 Matrix White
<input type="checkbox"/>	B0 Matrix Dusk
<input type="checkbox"/>	B2 Matrix Sand



Shower Base

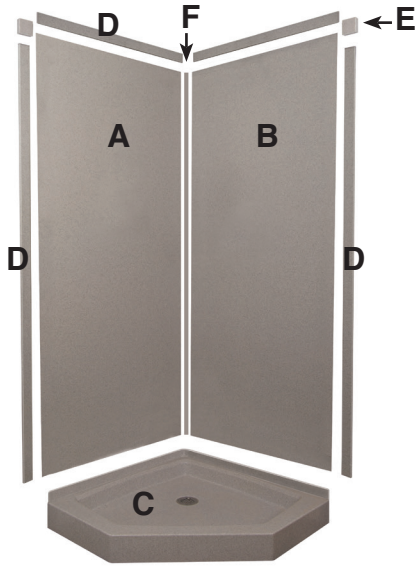
*Can be trimmed to fit

38" x 38" neo angle shower walls WK38NE



INSTALLATION NOTES:

This product is to be installed according to the installation guide supplied with shower walls. This product designed to be installed over clean, smooth tile, waterproof drywall or cement board. If installing directly over tile, remove all loose pieces and fill for a consistent, smooth substrate.

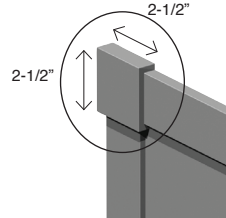


D. Outside Finish Edge Trim



Outside Finish Edge Trim fits along the top of the wall panels and down the outer edge of the wall panel sides to the shower base.

E. Corner Block Trim



The solid surface corner blocks (set of 2) used at the top outside corners of the walls for a decorative finished appearance.

F. Inside Corner Cove Molding



Inside Corner Cove Molding (2 pieces) included for out of square installation.

DECOR

	MODEL #	DESCRIPTION
	WK38NE72	3-piece Wall Kit - 72" H
	WK38NE96	3-piece Wall Kit - 96" H
A		Left End Wall (1 panel)
B		Right End Wall (1 panel)
C	PAN3838NCC	Shower Base - center drain

OPTIONS: ACCESSORIES

Available for on-site installation. Must be ordered separately. See Accessories Specification for further information.



Corner Soap Dish
SOAPDISH03



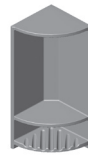
Recessed Shampoo Caddy
ACCESS0001



Recessed Shampoo Caddy
ACCESS0002



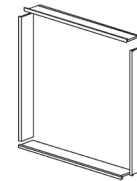
Recessed Shampoo Caddy
ACCESS0003



Double Corner Shelf
ACCESS0004



Corner Seat
SEAT1818



Window Trim Kit
WTK03636