

1. General Description

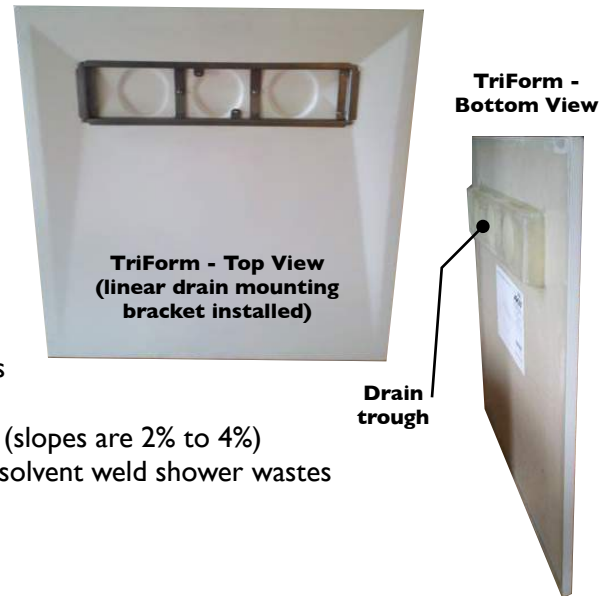
- a. Prefabricated, tileable, structural, pre-sloped, curbless, '0' threshold shower bases with integrated linear drain trough
- b. Cover with decorative tile, stone, or weldable resilient flooring
- c. Fabricated in controlled conditions to precise engineering tolerances

2. Item Codes and Descriptions

- a. 21205 . . . 35½" x 35½"
- b. 21206 . . . 39¾" x 39¾"
- c. 21207 . . . 51⅛" x 32¼"
- d. 21208 . . . 47¼" x 47¼"

3. Physical Characteristics

- a. Made of glass reinforced plastic (GRP) skin and a core that includes VBP marine ply panels, steel box section stringers, and a mineral composition
- b. Structural shower base that can span 16" o.c. joists
- c. 7/8" –thick edge profile
- d. Four pre-sloped pitch planes meet at drain trough (slopes are 2% to 4%)
- e. Drain trough has three selectable positions for 2" solvent weld shower wastes
- f. 1" –wide leveling rim
- g. Color: white
- h. Made from 100% recyclable materials
- i. Installation requires a TriForm linear drain assembly, at least one 2" solvent weld shower waste, and a waterproofing kit



4. Performance Characteristics

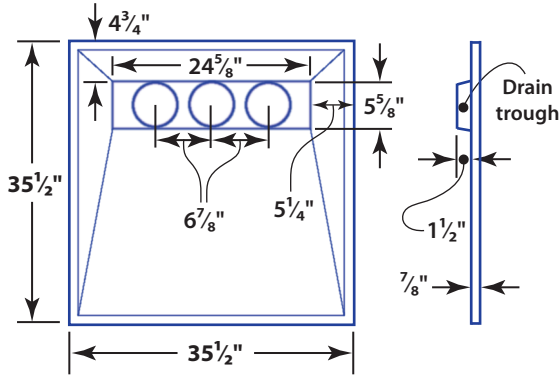
- a. Replace subfloor to achieve level-entry with surrounding floor
- b. Install on joists, on subfloor, in concrete, or on concrete
- c. Installer must support all edges and drain trough per instructions
- j. Capable of supporting 560 lbs. spanning joists (with a substructure that meets load standards)
- d. Trim length and drill with ordinary power tools equipped with steel cutting blades or bits
- e. Trim to as close as 4" from drain trough
- k. Multiple shower wastes may be installed for high volume water management (up to 20 gal./min.)
- f. Waterproofing kit integrates shower platform with surrounding floor and walls
- g. Drain assemblies available for tile or vinyl floor coverings
- h. Wet-area approved electric heat, or hydronic heat, may be installed with this shower platform

5. Other Information

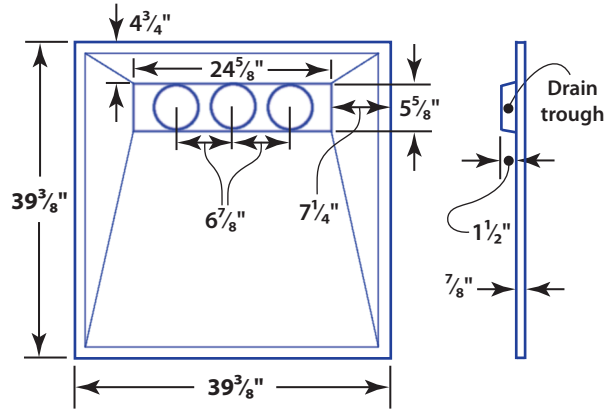
- a. Compliance certification: ICC-ES PMG I223
- b. Limited lifetime warranty
- c. See AKW warranty for details



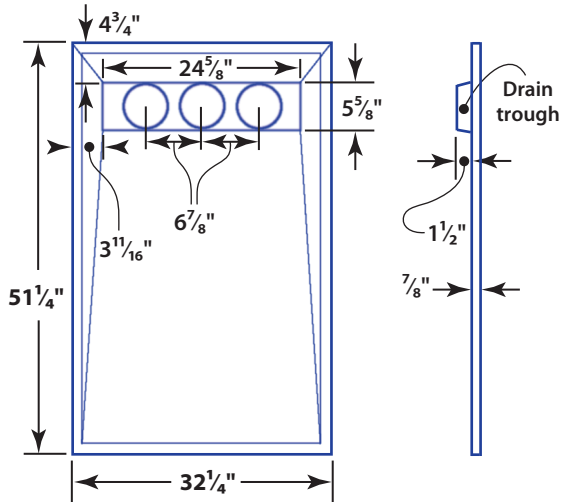
21205
35½" x 35½"



21206
39⅜" x 39⅜"



21207
51⅞" x 32¼"



21208
47¼" x 47¼"

